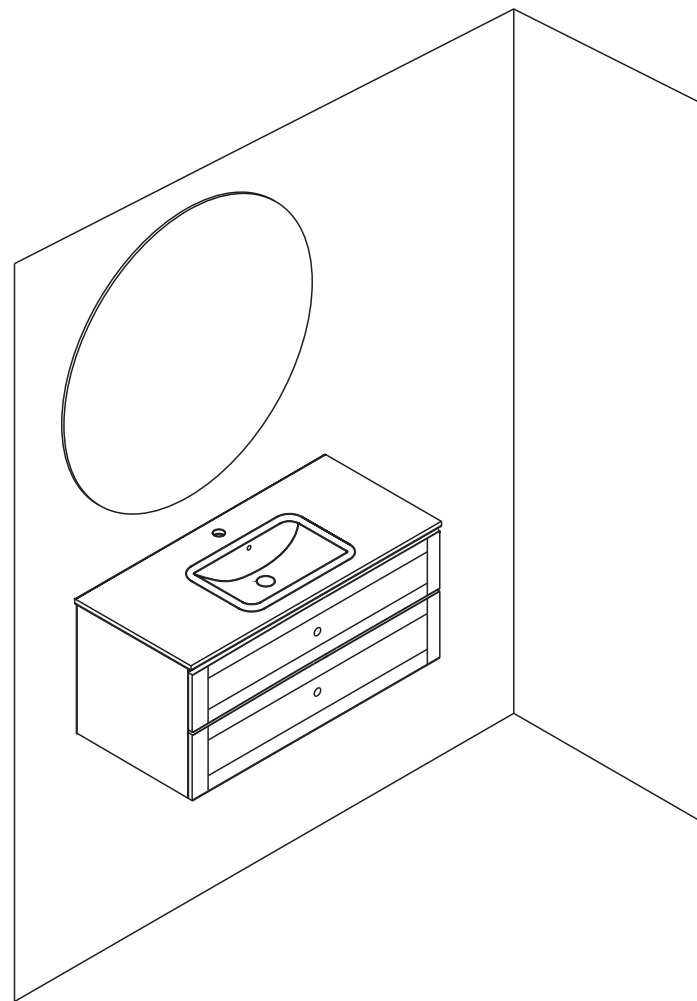
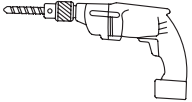
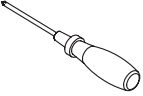
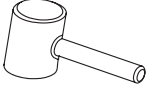


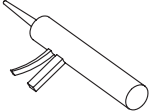
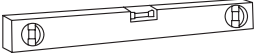


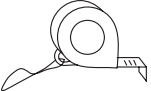

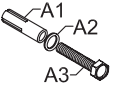
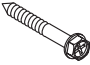




Installation Instruction

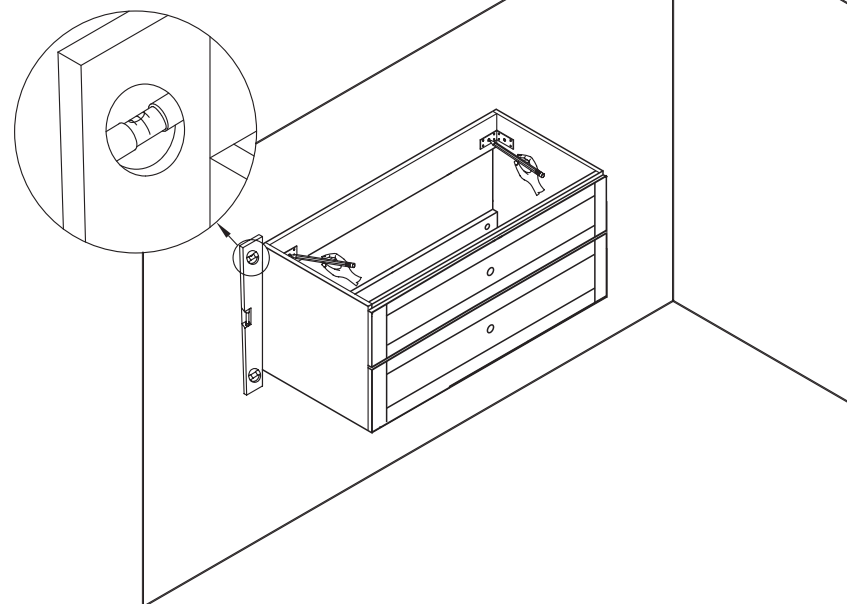
BONA706S/60/80/100



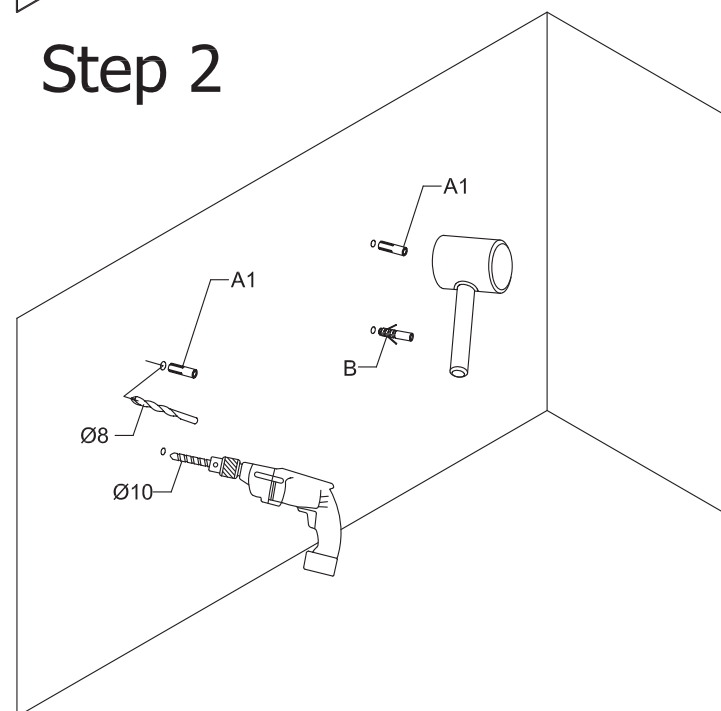
| Installation tools (Not include) | | | |
|----------------------------------|---|-------------------|--|
| Name | Pic | Name | Pic |
| Electric Drill |  | Cross Screwdriver |  |
| Hammer |  | Pencil |  |
| Wrench |  | Glass Cement |  |
| Levelling Rod |  | Drill 10mm |  |
| | | Drill 8mm |  |
| Tapeline |  | Drill 6mm |  |

| Sparements | | | | | | | |
|--------------------------|------|---|-----|----------------------------------|------|---|-----|
| Name | Code | Pic | Qty | Name | Code | Pic | Qty |
| Iron expand screw M6 | A |  | 2 | Self-tapping screw (ø6*60) | C |  | 2 |
| Plastic expand screw ø10 | B |  | 2 | Double faced adhesive tape(50mm) | F |  | 4 |

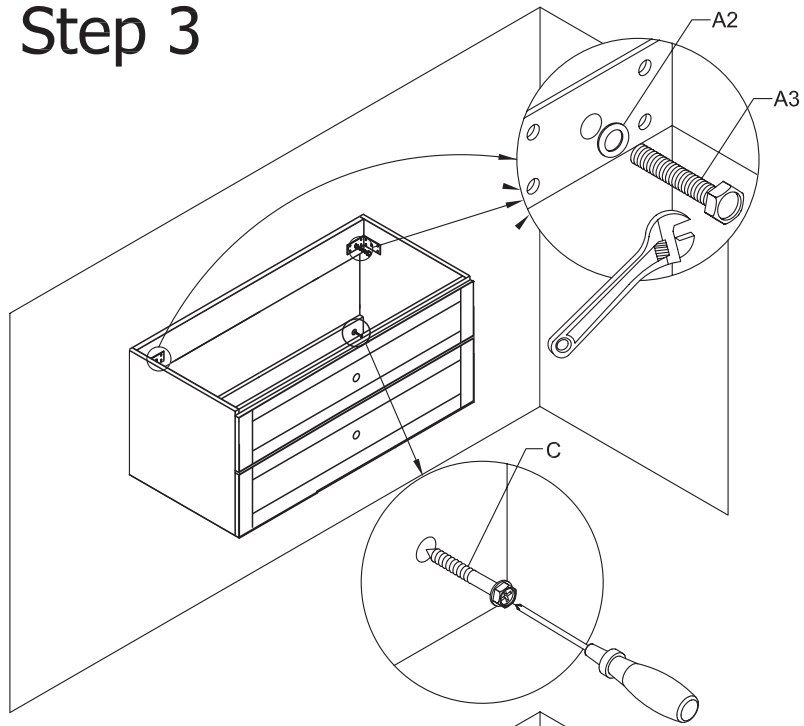
Step 1



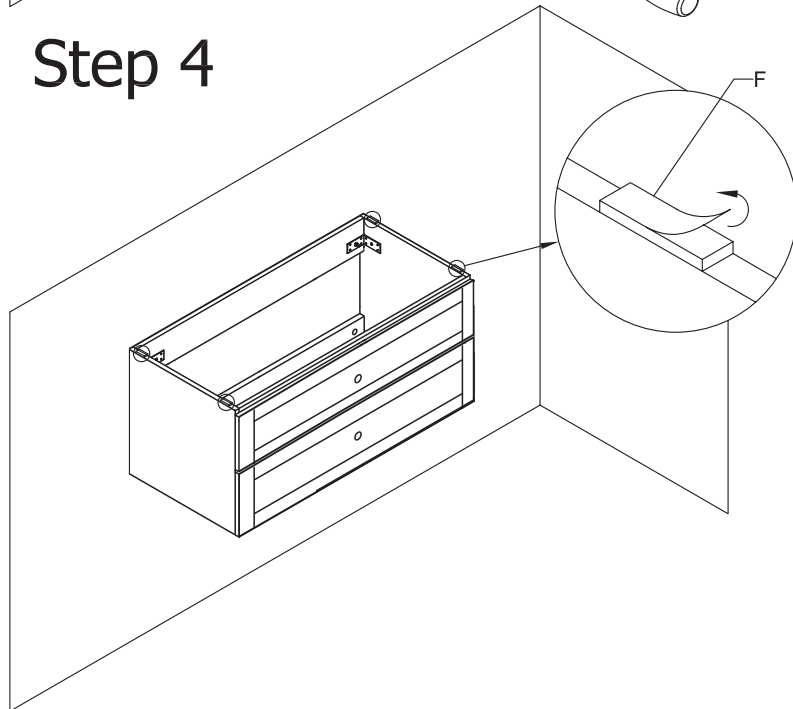
Step 2



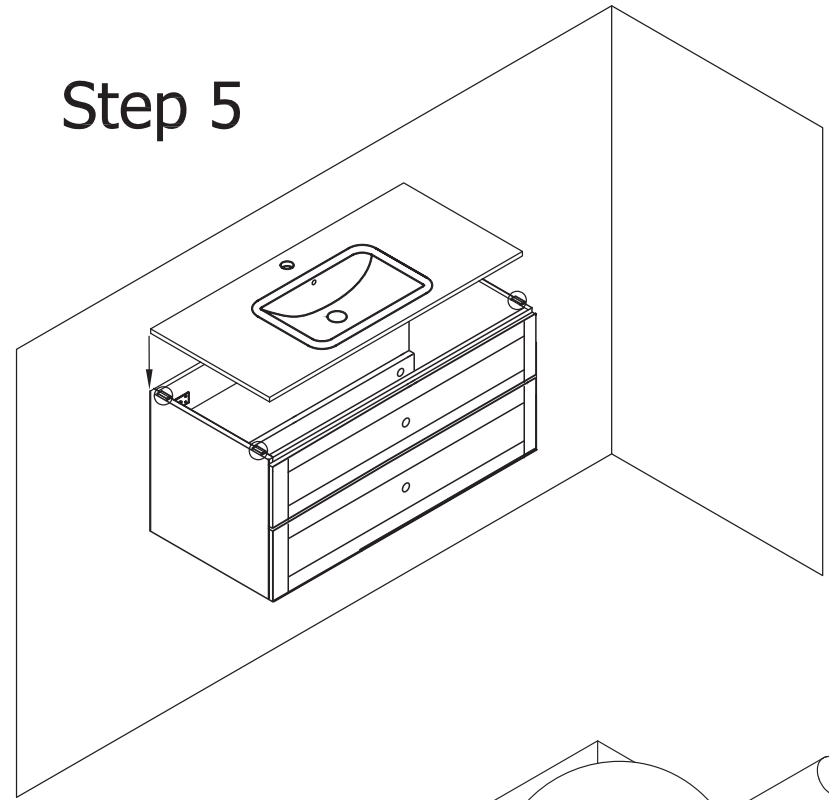
Step 3



Step 4



Step 5



Step 6

