

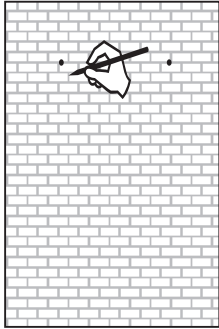


bathlife®

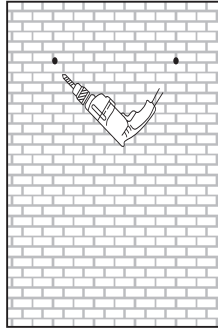
OF SWEDEN

# INSTRUCTION

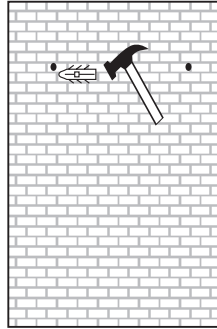
CE IP44 



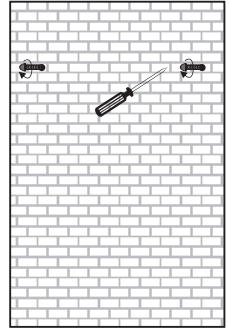
1



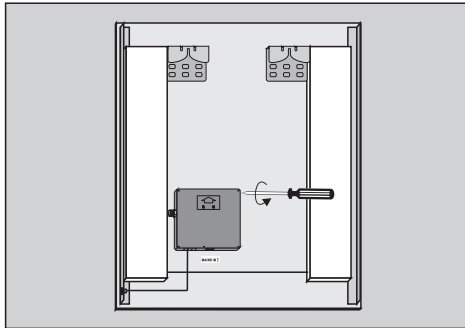
2



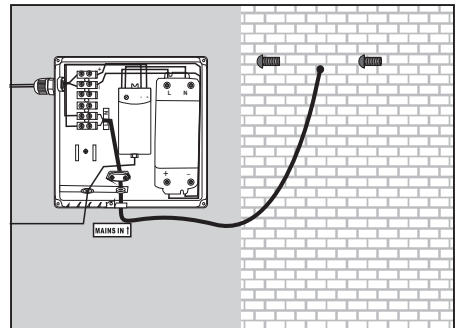
3



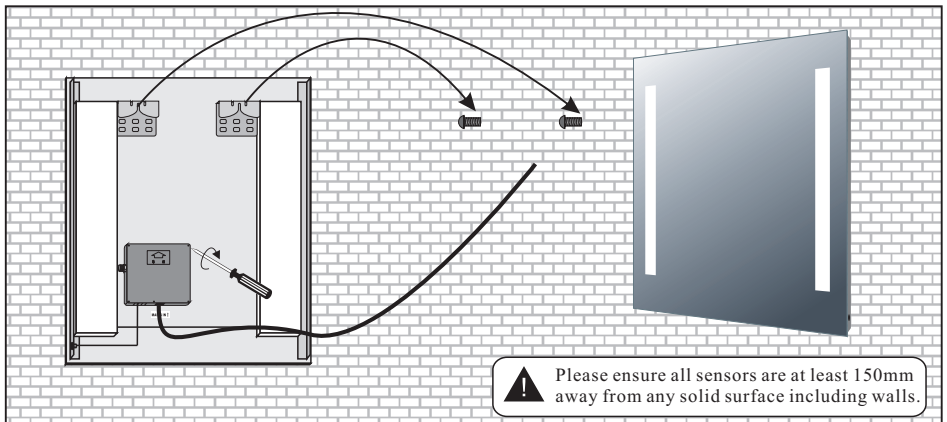
4



5



6

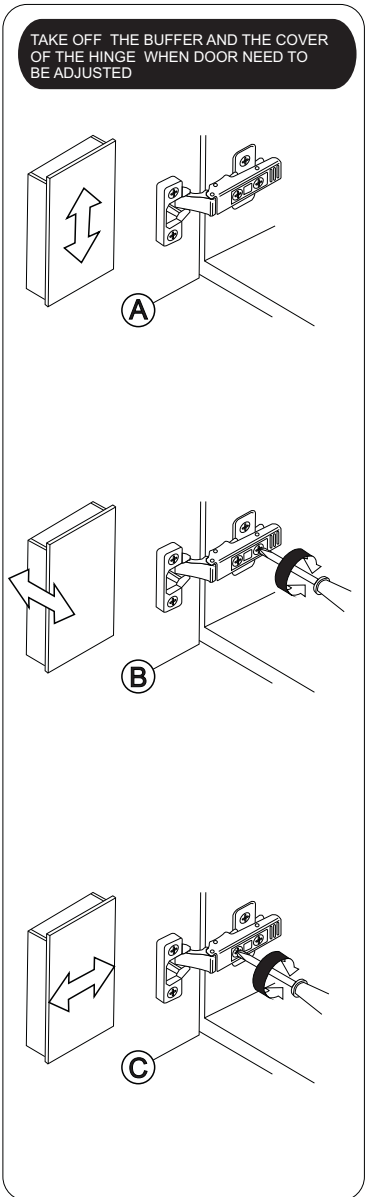
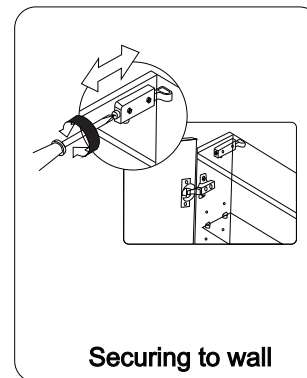
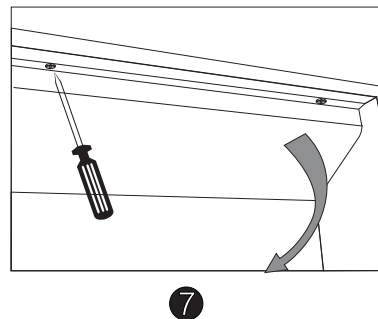
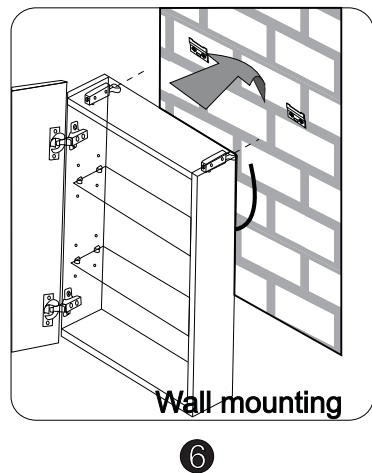
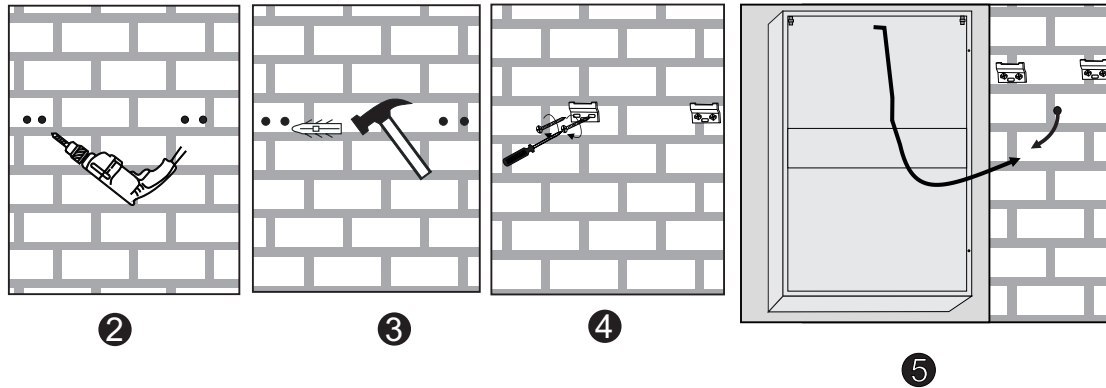
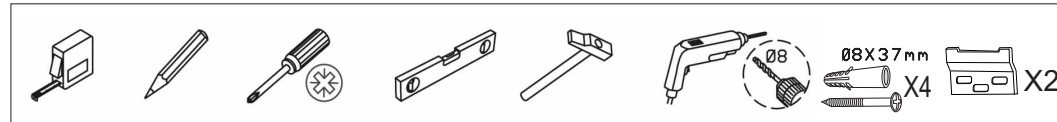
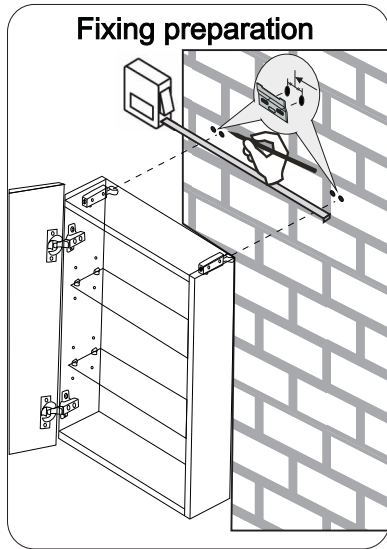


7



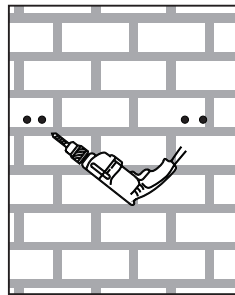
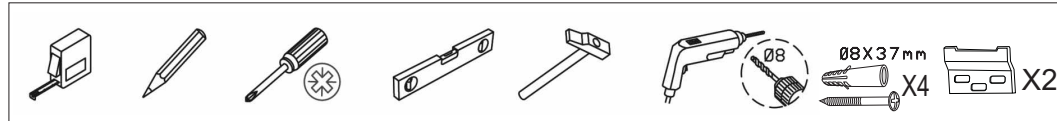
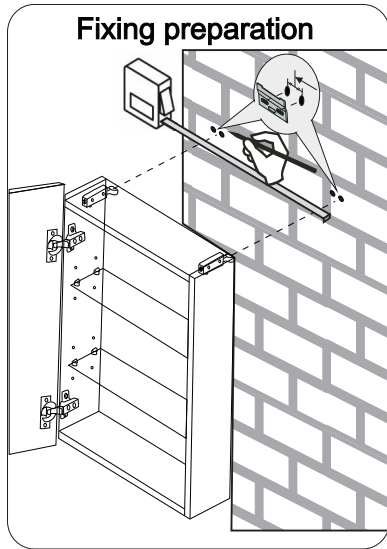
Please ensure all sensors are at least 150mm away from any solid surface including walls.

# INSTRUCTION

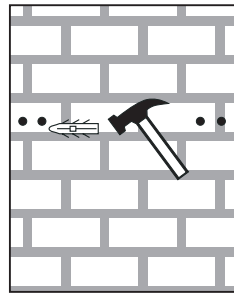


Door adjustment

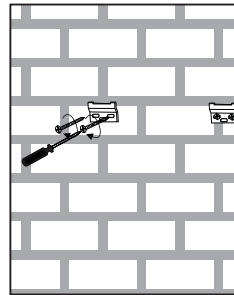
# INSTRUCTION



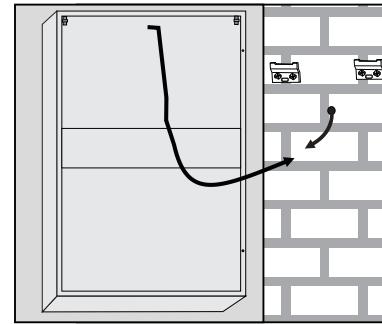
2



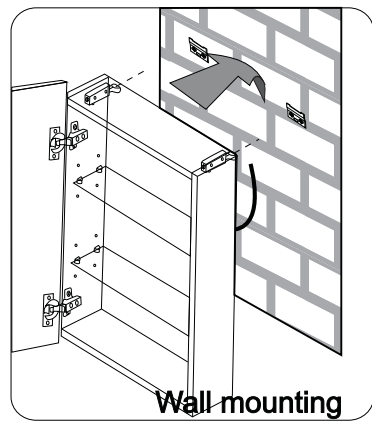
3



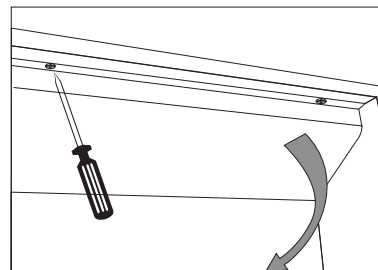
4



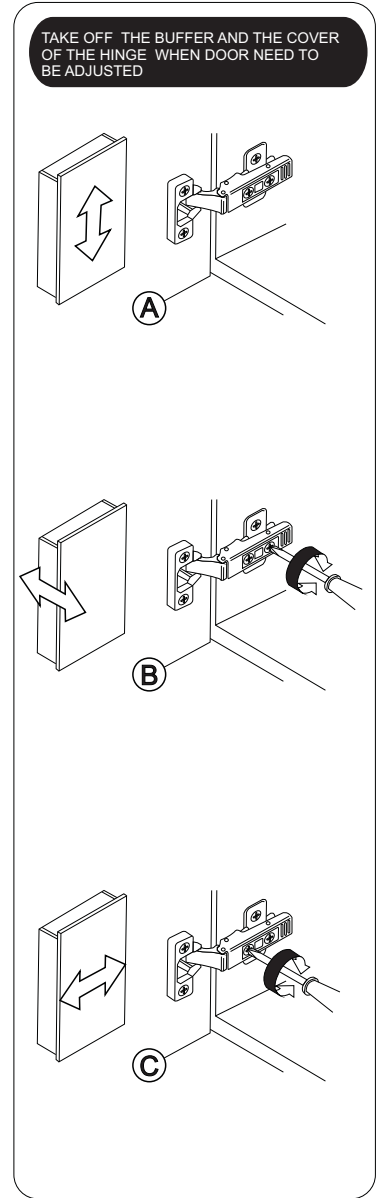
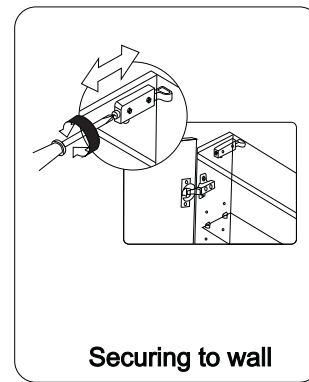
5



6



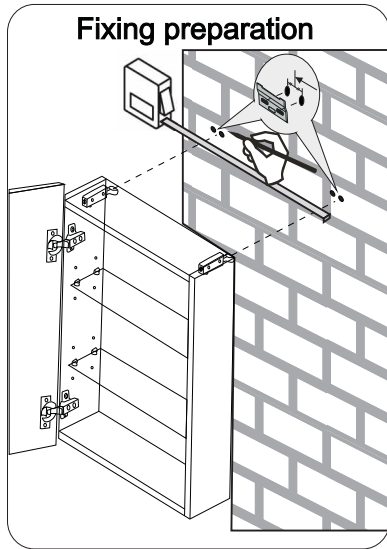
7



Door adjustment

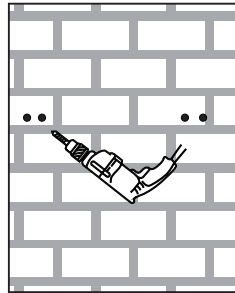
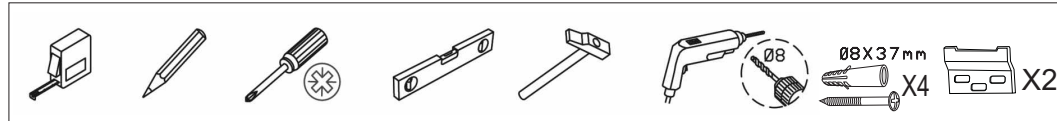


# INSTRUCTION

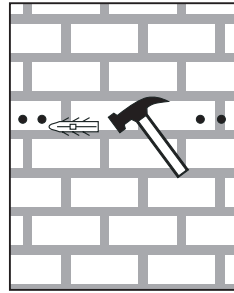


Fixing preparation

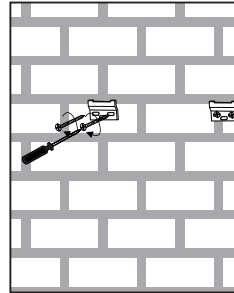
1



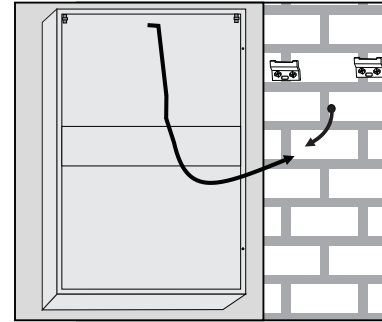
2



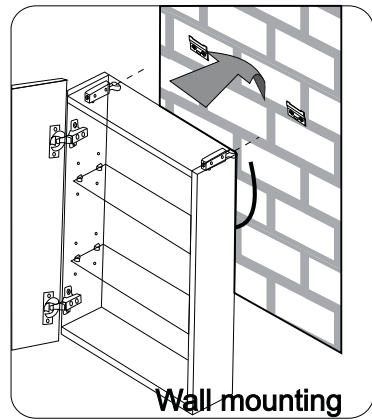
3



4

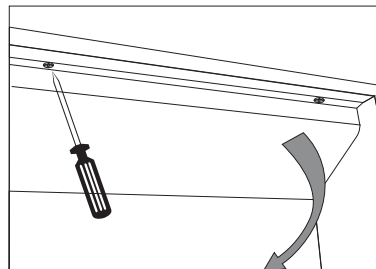


5

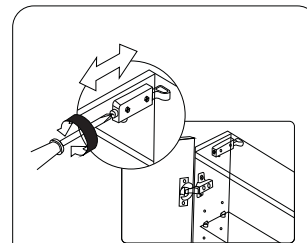


Wall mounting

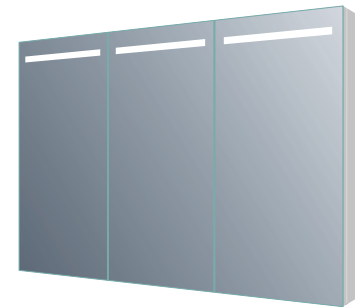
6



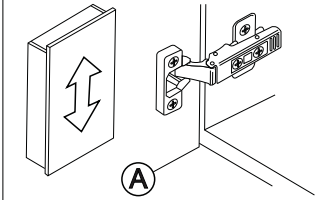
7



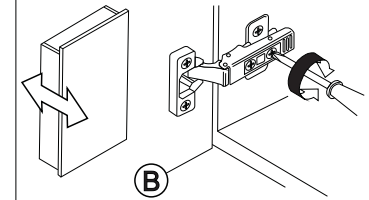
Securing to wall



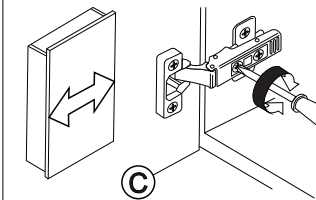
TAKE OFF THE BUFFER AND THE COVER OF THE HINGE WHEN DOOR NEED TO BE ADJUSTED



A



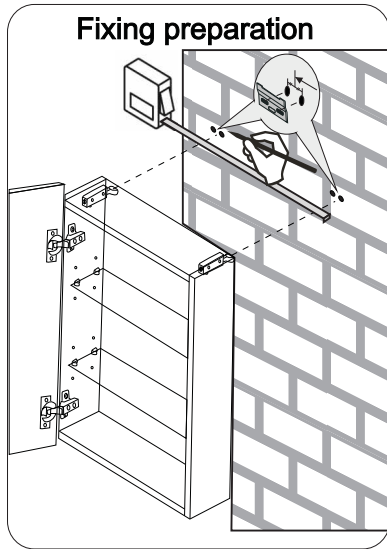
B



C

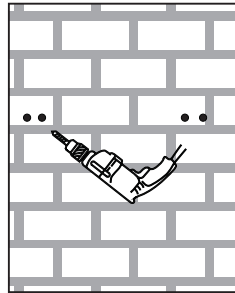
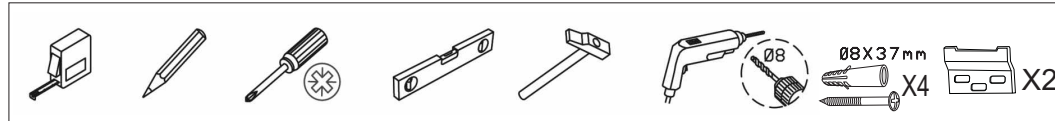
Door adjustment

# INSTRUCTION

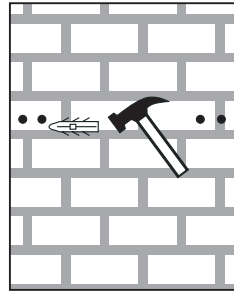


Fixing preparation

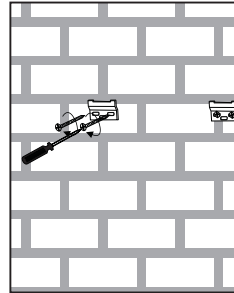
1



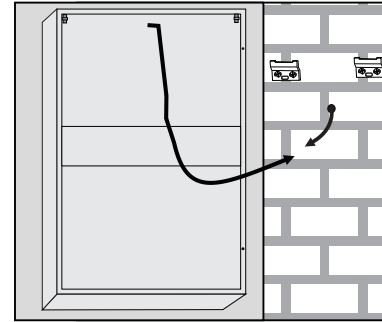
2



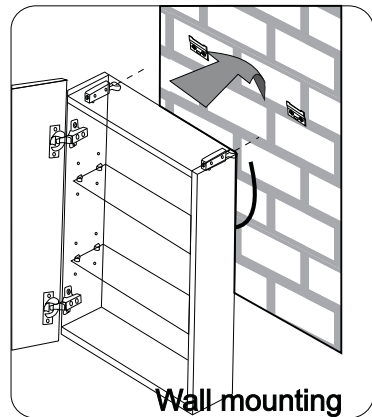
3



4

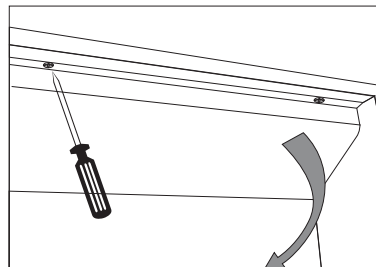


5

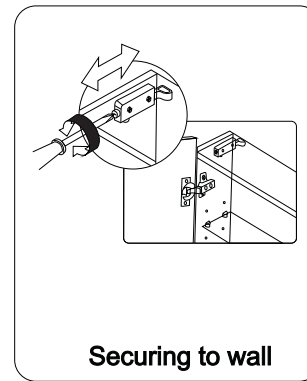


Wall mounting

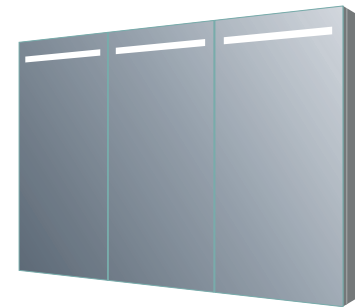
6



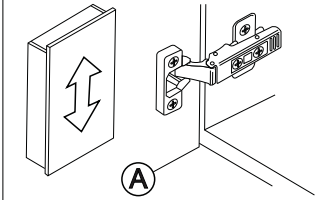
7



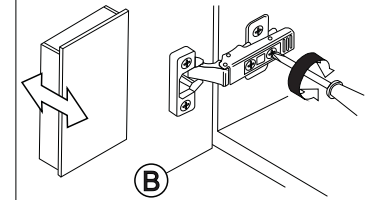
Securing to wall



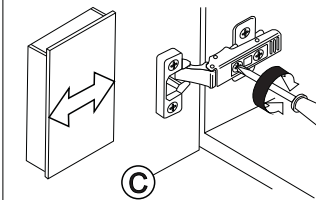
TAKE OFF THE BUFFER AND THE COVER OF THE HINGE WHEN DOOR NEED TO BE ADJUSTED



A



B



C

Door adjustment