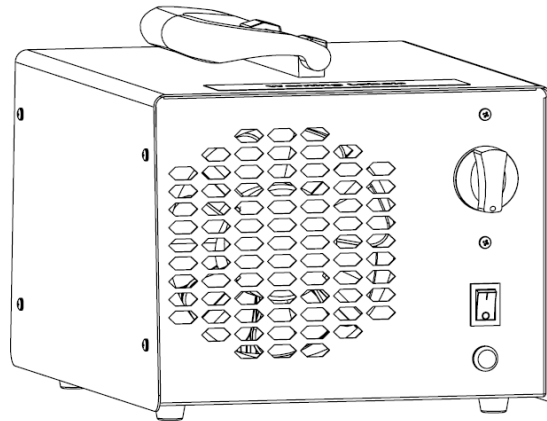


7964 MAG-PRO OZONATOR

15 000 mg/h / 30 000mg/h

Instruction manual



Read these instructions carefully before use

The instructions will reduce the risk of injury

Any use other than that specified in this manual is prohibited.

Children over 8 and persons with physical, sensory or mental disabilities, or inexperienced persons, may only use the device under supervision, or if they are properly trained to use the product safely and they understand hazards related to the use of the device.

Do not let children play with the device.

Do not let children connect the device into an outlet or clean or otherwise interact with the device without supervision.

Keep children under 3 away from the device unless they are continuously supervised.

CAUTION!

USED IN UNOCCUPIED SPACES ONLY

**WAIT MINIMUM 40 MINUTES BEFORE
RETURNING TO THE TREATED AREA.**

**SPACE IS RECOMMENDED TO KEEP EMPTY AT
LEAST 24 HOURS AFTER OZONATION.**

TECHNICAL INFORMATION

Model	7964
Voltage	230 V / 50 Hz
Power	250 W
Air Volume	Max 250 m ³ / h
Ozone Plates	104 mm x 50 mm
Active Oxygen	15000 mg/h / 30000 mg/h
Sound Level	40 dB
Product Size	285 mm x 205 mm x 180 mm
Weight	4,9 kg
Area	200-400 m ²
Includes EMI filter	

CAUTION: USED IN UNOCCUPIED SPACES ONLY

This air cleaner is an advanced and convenient contaminant remediation product. High-powered oxidation in a compact, lightweight, rugged and simple design. Utilizing controlled corona discharge ozone technology developed specifically to reduce odors and smoke in unoccupied spaces, ideal for treatment for homes, automobiles & boats and more.

The unit has a timer that will enable it to run for a maximum duration of 3 hours. The timer will then shut the ozonator off. You should allow 40 minutes before returning to the treated area.

Note the use in buildings with common ventilation. For example, in buildings with several apartments where, due to ventilation, the spread of ozone cannot be prevented with certainty for the entire building.

Note! closing ventilation or air conditioning if necessary.

Read all instructions carefully before use.

INTRODUCTION

This ozonator is an advanced and convenient contaminant remediation product. High-powered oxidation in a compact, light weight, rugged and simple design. Utilizing controlled corona discharge ozone technology developed specifically to reduce odors and smoke in unoccupied spaces, ideal for treatment for homes, office, automobiles & boats and More!



This air unit is not a medical device. Do not stop or alter any medical therapy programs or medications without the advice of your physician, Excessive ozone concentrations may cause mucous membrane or respiratory irritation.

CAUTION: TO REDUCE THE RISK OF ELECTRICAL SHOCK, DO NOT REMOVE COVER. ONLY AN AUTHORIZED DISTRIBUTOR CAN REPAIR UNIT, AND IN EVENT OF FAILURE CONTACT THE DISTRIBUTOR.



This "bolt of lightning" indicates that uninsulated material within your unit may cause an electrical shock. For the safety of everyone, do not remove product covering.

Important safety instructions

After the ozonation treatment, a sufficient waiting time (at least 24 h, preferably 48 h), improved ventilation and cleaning of the premises before commissioning are always required.

When ozonation is used, the spread of ozone to other spaces must be prevented, for example through ventilation.

Close all doors and windows in the area to be treated to prevent ozone from leaking into nearby areas with people, animals or plants.

In accordance with the precautionary principle, the recommended waiting time after ozonation is 48 hours.

The waiting period may also be longer if required by the instruction manual.

After ozonation, the ventilation of the room must be intensified in order to remove air pollutants.

Surfaces in the room should also be cleaned.

As by-products of ozonation, small particles or compounds harmful to indoor air can be formed, which can also be adsorbed on surfaces and structures.

Guidance

- The space to be ozonated must be empty
- The spread of ozone to other spaces, for example through ventilation, must be prevented
- Adequate waiting time (at least 24 h, preferably 48 h) must be observed
- After ozonation, the room ventilation should be intensified and the surfaces should be cleaned by wiping to remove contaminants

Notes

- Please do not use in dusty, multi-vibration, direct sunlight, corrosive gas.
- Don't disassemble or modify the equipment,
- Non-maintenance professional personnel shall not disassemble the device to avoid danger.
- The ozone generator is designed to use in unoccupied spaces. The timer will then shut off.
- You should allow 40 minutes before returning to the treated area.

To operate the Ozone Generator

Close off the desired area to be treated.

Remove all occupants and pets.

Position the unit as close as possible to the odor source.

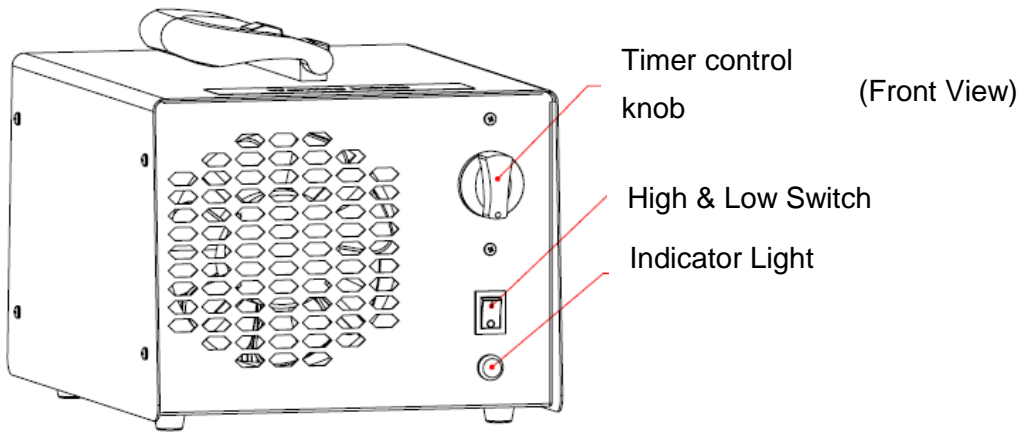
Set timer to desired time and leave the room.

Allow 40 minutes before re-entering the treated space.

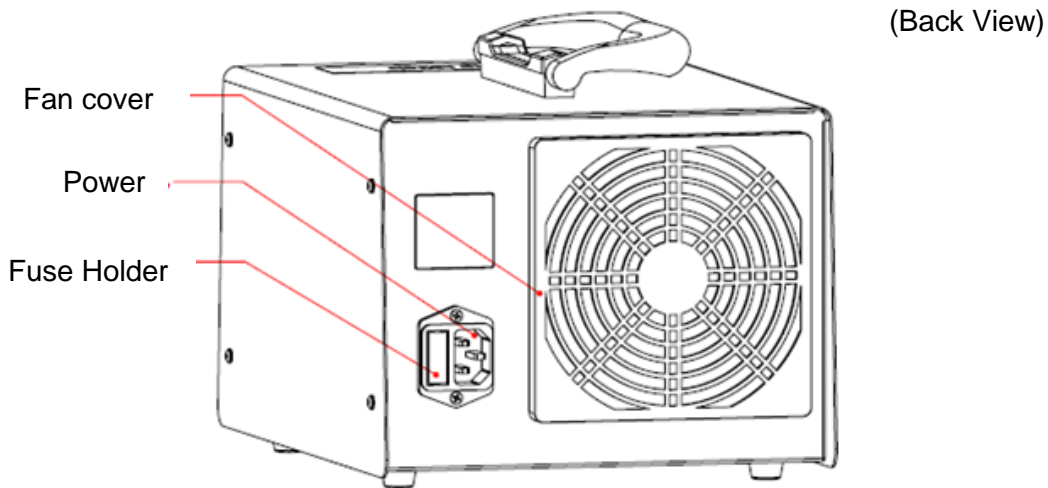
Return to space & ventilation area.

Ozone Generator

The ozonator is designed to remove odors in unoccupied spaces. The unit has a timer that will enable it to run for a maximum duration of 3 hours. The timer will then shut the ozone generator off. You should allow 40 minutes before returning to the treated area.



Part Name	Function
Timer Control Knob	Turn clockwise to set the timer for timed operation up to 3 hours.
High& Low Switch	High for 30G, Low for 15G
Indicator Light	Illuminates when unit is in operation.



Part Name	Function
Fuse Holder	Houses removable fuse. (Spare fuse included, 2 Amp, 0.79 inch in length)
Power Cord	230V grounded cord (unless otherwise)

QUICK START GUIDE

When placing the device, set it on top of something solid to give it a steady base and prevent it from tipping over.

Make sure no humans, animals, pets are present in the area before starting the treatment

Seal the treatment area to avoid ozone leakage to nearby areas occupied by plants, animals or humans.

APPLICATIONS

For home use as ozonator, in living room, kitchen, bathroom, pet room, garage, vehicle and boat etc.

TROUBLE SHOOTING

- If you suspect a problem with your unit check the following:
- Unit is plugged in properly.
- Ceramic plates are clean and dry.
- There are no cracks in plates and each plate is flush with back of unit.
- Fuse is installed properly and in good condition.

How to replace the fuse

To replace fuse, pull out the plastic fuse holder

Remove old fuse and insert new fuse.

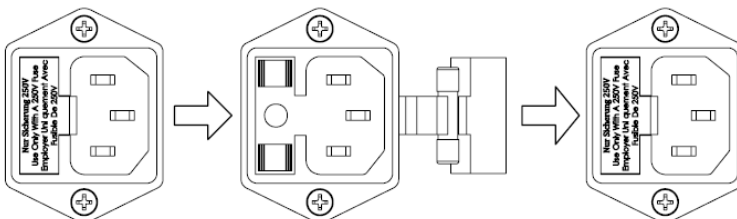
Replacement fuse must be 2 amp (0.79 inch).

1 replacement fuse included.

Caution:!

No attempt should be made to remove a panel of the cabinet, as there are no user serviceable parts. Opening the unit will void all warranties.

Refer to picture at follows:



Fuse holder (located on the back of the unit next to the power cord)

MAINTENANCE

When the ozonator no longer produces enough ozone to be effective, the ozone plates should be cleaned. Usually it should be cleaned every 2,000 hours. Contact the importer when it is time to replace your ozone plate.

RECYCLE



After the implementation of the European Directive 2002/96/EU in the national legal system, the following applies:

Electrical and electronic devices may not be disposed of with domestic waste. Consumers are obliged by law to return electrical and electronic devices at the end of their service lives to the public collecting points set up for this purpose or point of sale. Details to this are defined by the national law of the respective country. This symbol on the product, the instruction manual or the package indicates that a product is subject to these regulations. By recycling, reusing the materials or other forms of utilising old devices, you are making an important contribution to protecting our environment

WARRANTY

The warranty for this product is 1 year from the date of purchase.

The warranty is void if the product is used for purposes other than its original purpose, or if the product is used for commercial / professional or rental use.

The warranty does not cover damage resulting from natural conditions or damage resulting from improper storage.

For warranty issues, contact your dealer.

CE DECLARATION OF CONFORMITY



This equipment has been designed and manufactured and sold in compliance with the requirements of the Low Voltage Directive and the RoHS Directive. Therefore, the product is CE marked and has a CE Declaration of Conformity which is available to the authorities.

Blue Import BIM Oy Hampuntie 12-14, 36220 Kangasala, Finland