

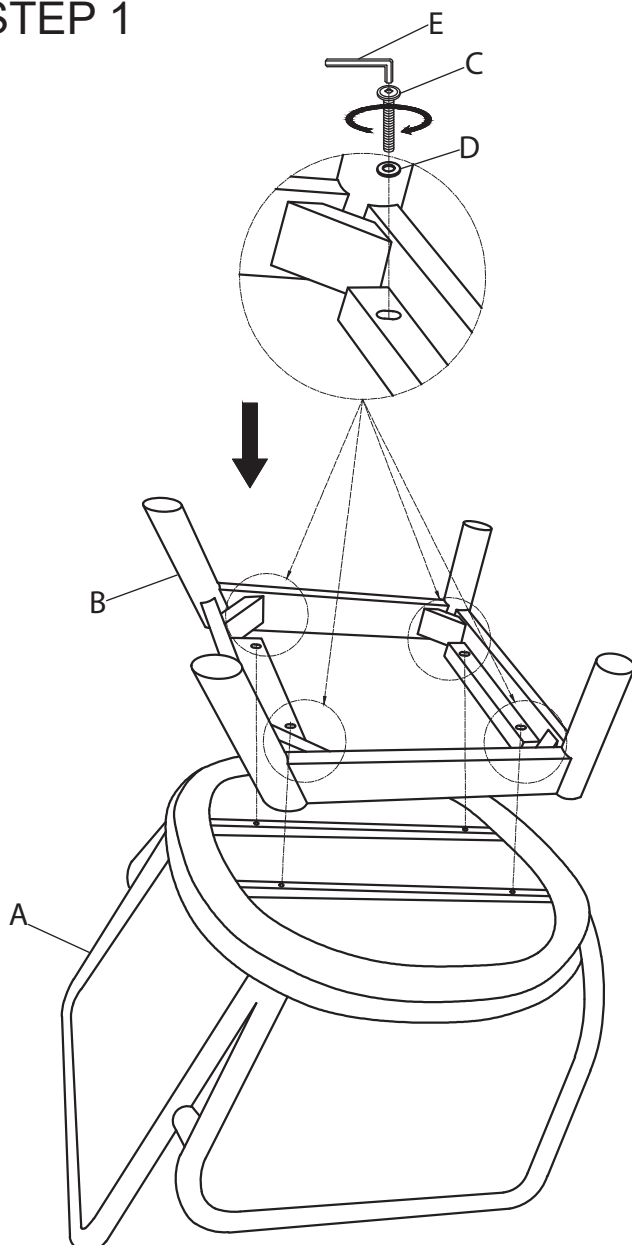


Assembly instruction

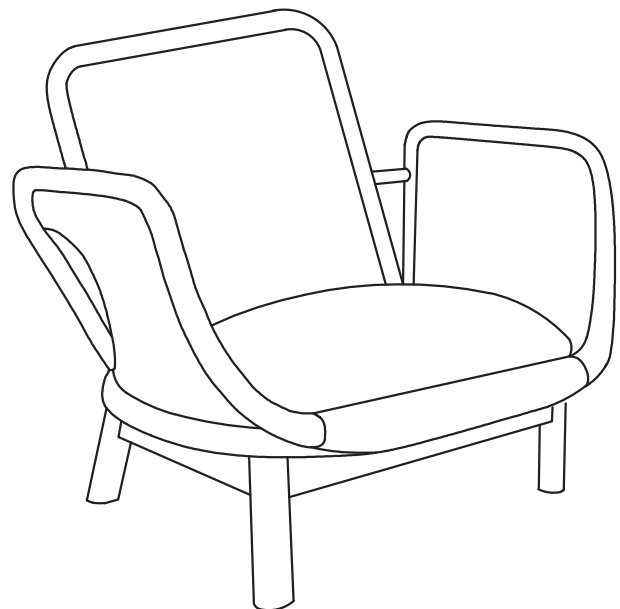
Article number: 3941-28-277

A	B	C	D	E
M6*50				
1PC	1PC	4PCS	4PCS	1PC

STEP 1



STEP 2



Remark: Be noted, during assembly, we recommend only to tighten all screws with 80% fastening, when having all screws in correct position, and tightened to 80% - then OK to tighten to 100%, to avoid any distortion, bendings.