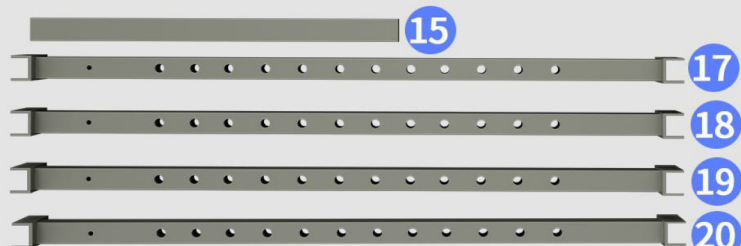
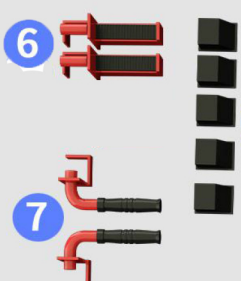
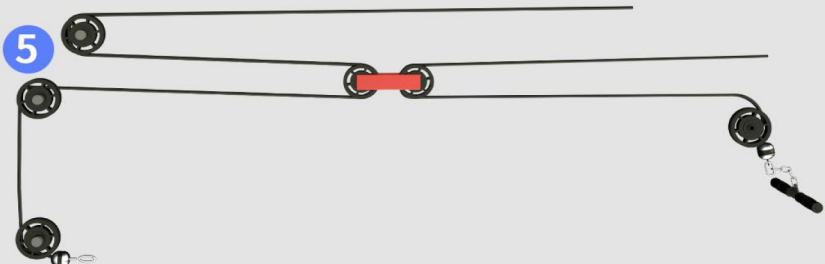
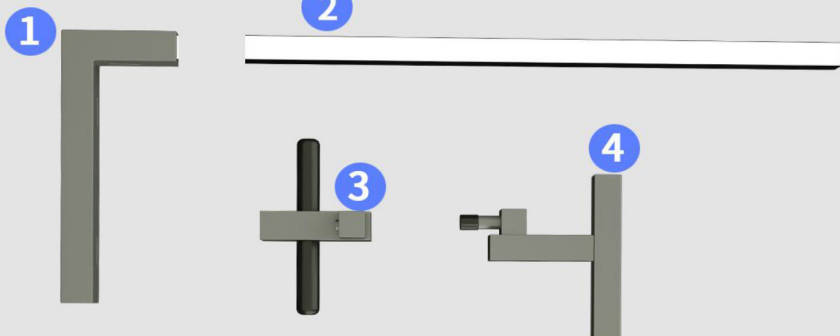


Installation method of dumbbell stool



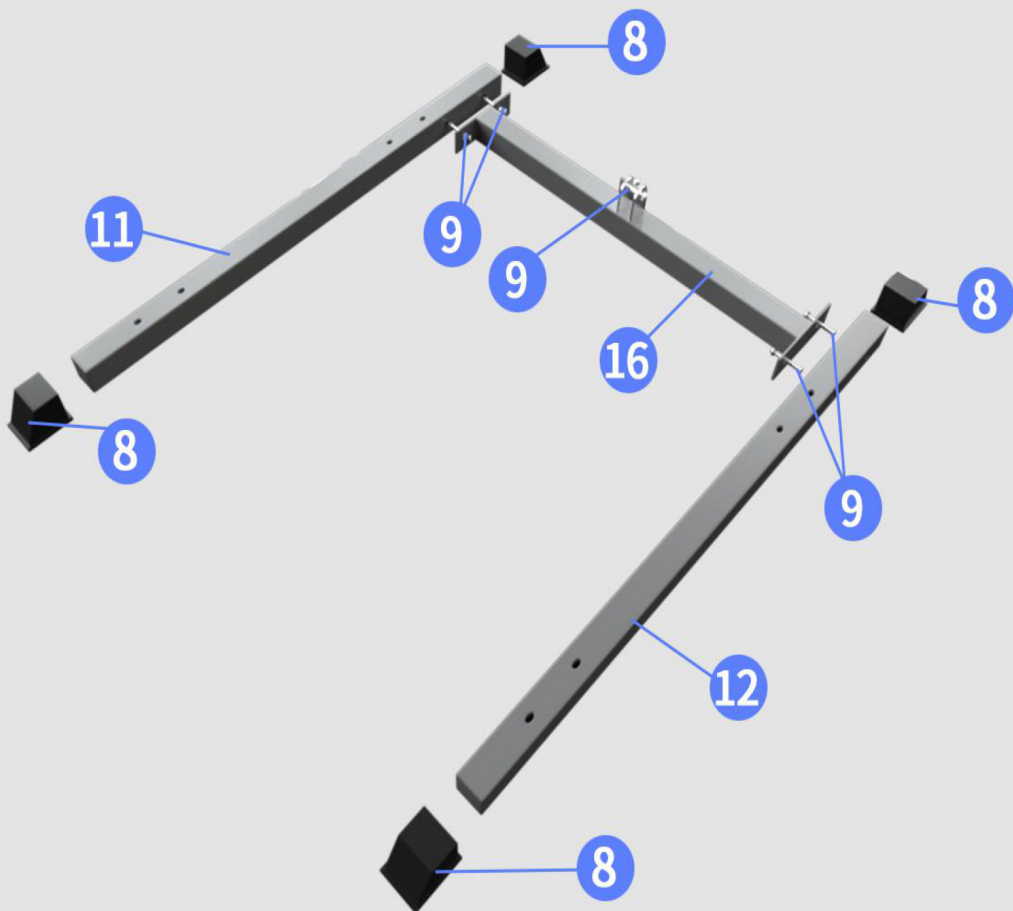
spare parts list



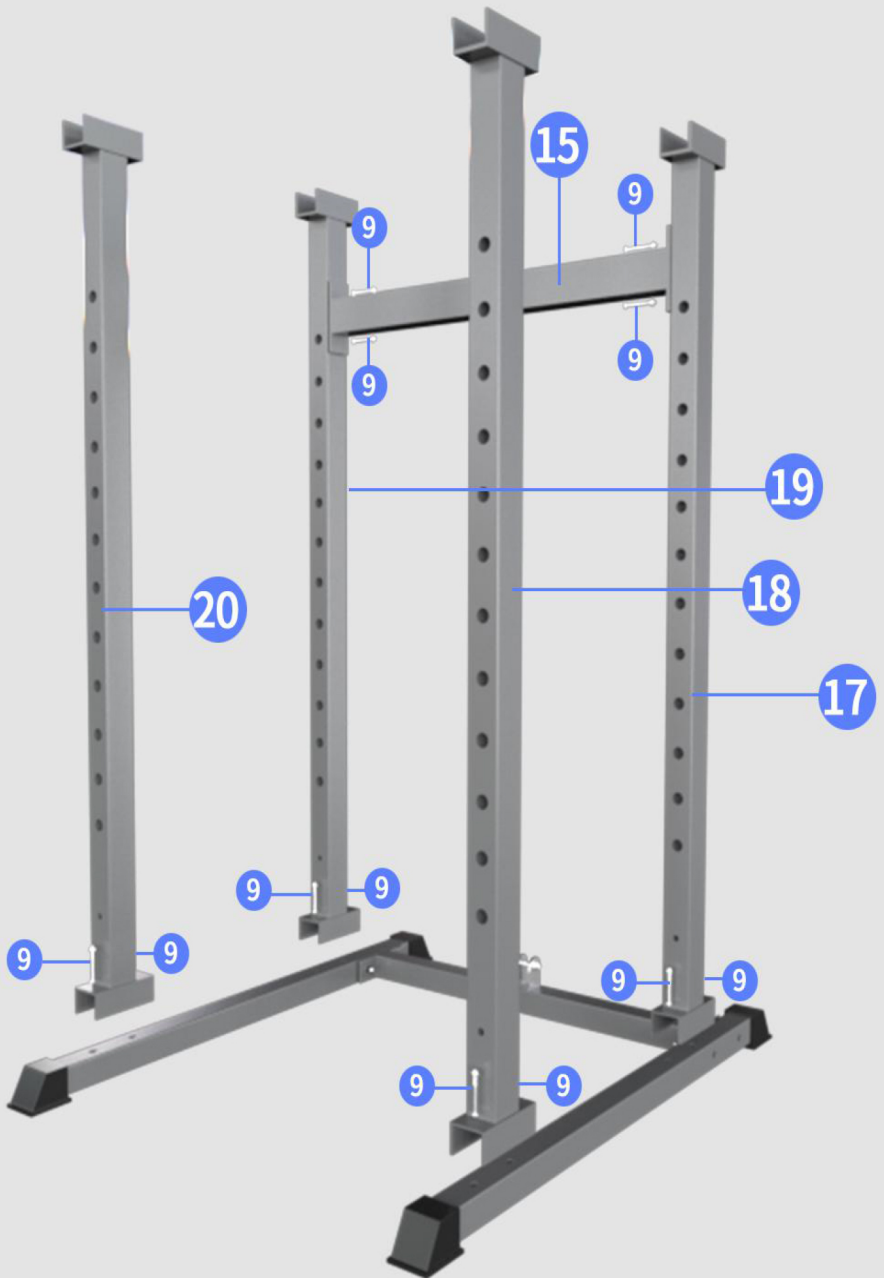
GUN BARREL ACCESSORIES
NEED TO BE PURCHASED
SEPARATELY
炮筒配件需
单独购买

INSTALLATION NOTE: DO NOT TIGHTEN THE SCREWS DURING ASSEMBLY!
AFTER INSTALLATION
TIGHTEN THE SCREWS UNIFORMLY.

FIRST STEP



SECOND STEP



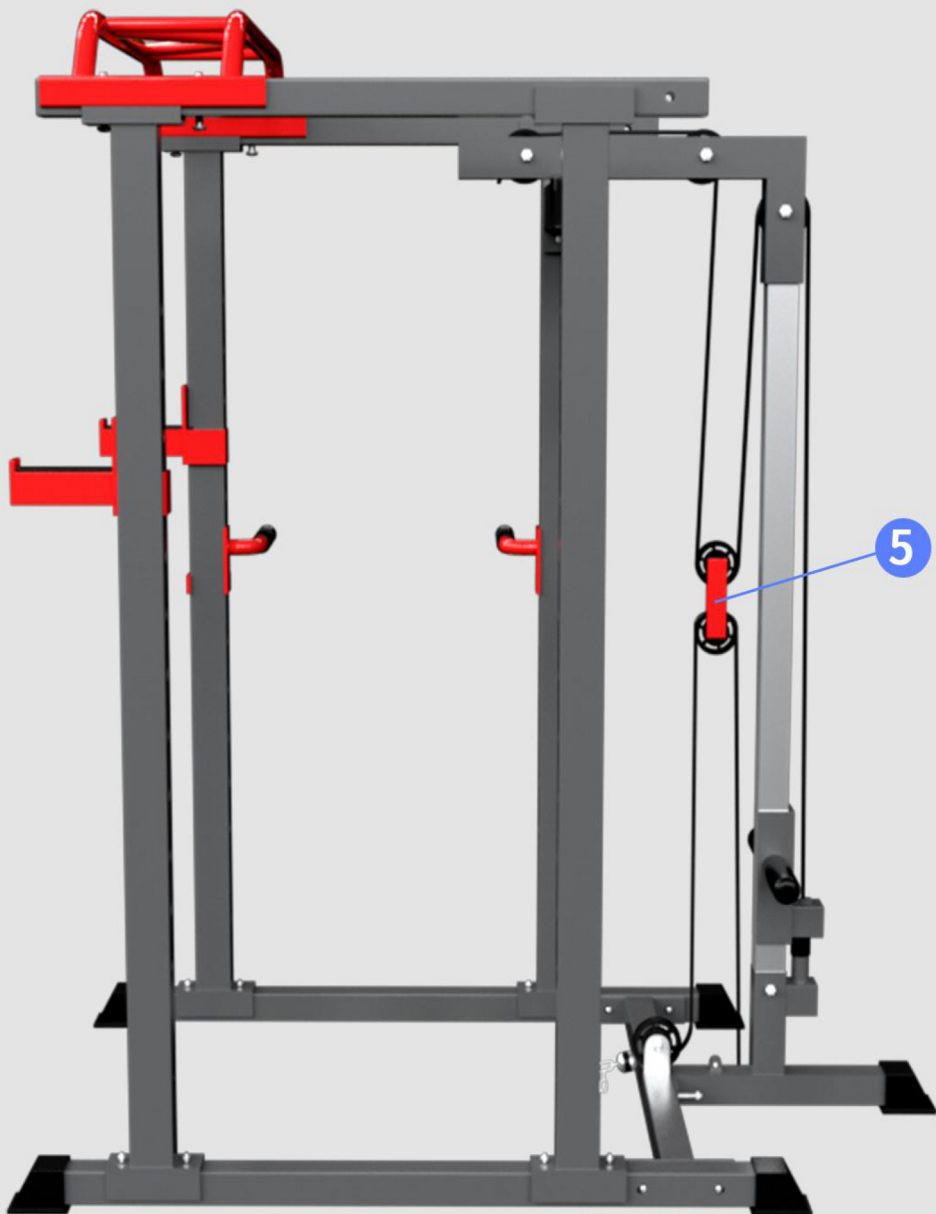
THIRD STEP



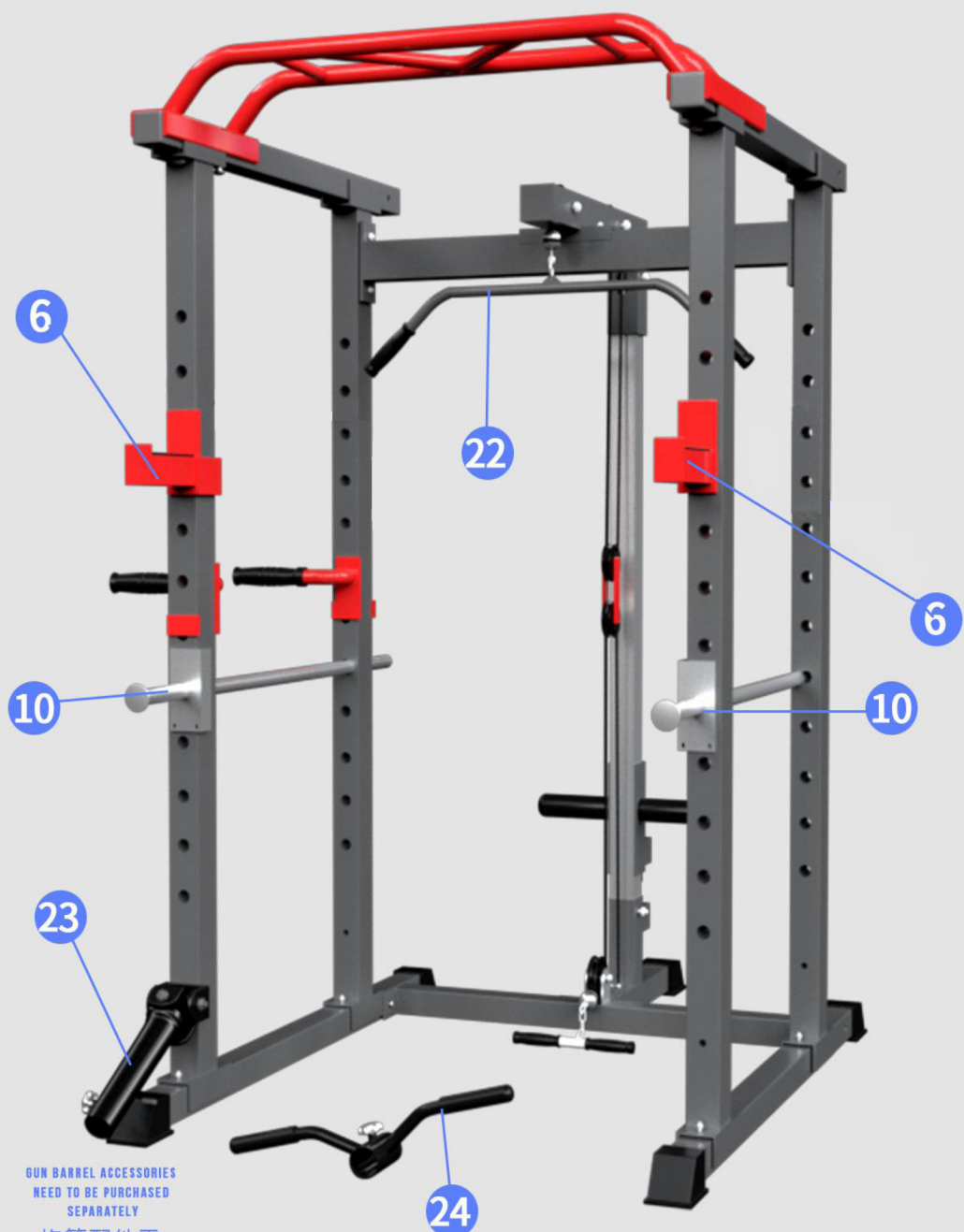
FOURTH STEP



THE FIFTH STEP



STEP 6



GUN BARREL ACCESSORIES
NEED TO BE PURCHASED
SEPARATELY

炮筒配件需
单独购买