



CONCEALED CISTERN INSTALLATION INSTRUCTIONS
PLASTERBOARD - QUICK INSTALLATION
- WALL-FACED MODEL -
- FLOOR-MOUNTED MODEL -
- DOUBLE BACK-TO-BACK CISTERN MODEL -

Dear Customer,

Thank you for choosing our product.

- Please check the product and auxiliary materials one by one at the point of sale before taking delivery of it.
- We strongly recommend that you read these instructions carefully before installing your product and keep it as a reference guide.

Best regards,
creavit®

1. Points to consider during installation

Before installation, you must look over **the installation instructions and the instructions for use**. The installation scheme related to your product is provided in the manual. Read the cases not covered under warranty (article 2) **carefully**.

Filters must be used in the installations.

The product must be installed as described in the booklet.

Underprop the product with bricks. The space between the case and body must completely be filled with brick and mortar.

2. Cases not covered under warranty

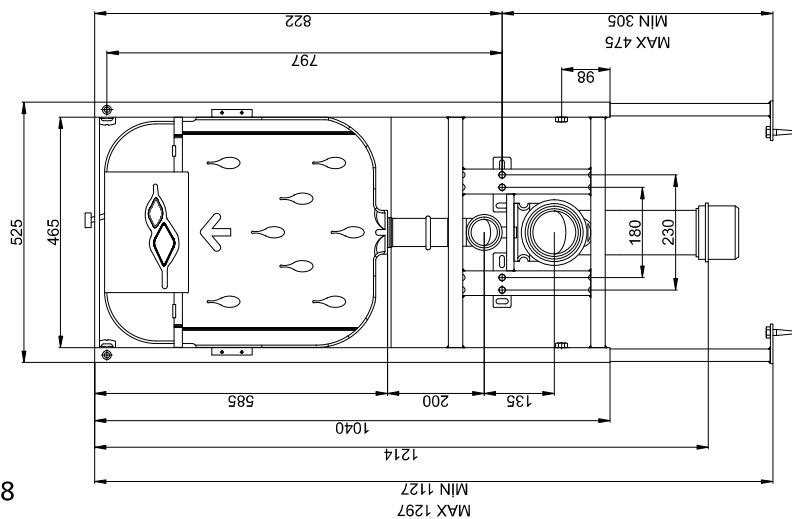
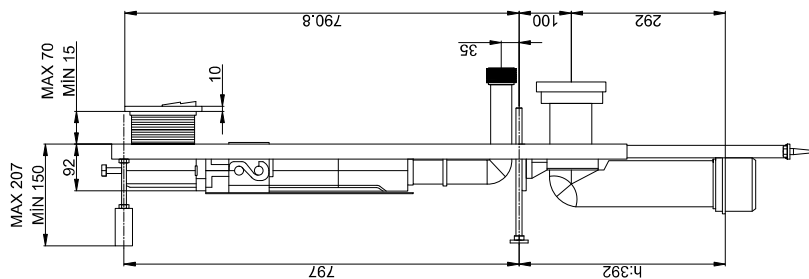
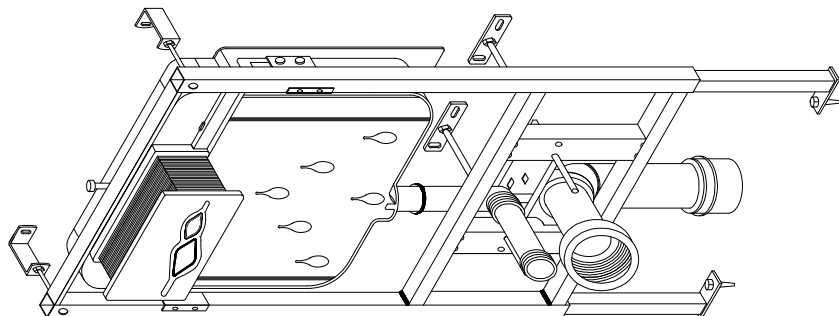
The following are not covered under warranty:

- Non-performance due to operations above and below the mains water pressure between 0.2 - 15 bars,
- Problems caused by foreign substances (mortar, lime, towel, paper towel, but etc) and cleaning-purpose chlorine-content or similar substances blocking the cistern tank,
- Damages caused by misuse of the product,
- Damages caused by non-use of the auxiliary materials provided with the product or recommended in the installation.
- Problems due to faulty mounting, maintenance, repair and demounting by incompetent persons,
- Problems due to sediment, dirt and foreign substances that might come from the water installations,
- Other surface damages due to insufficient protection before installation after delivery of the product to the consumer (customer),
- Damages due to the impact of hard and sharp-pointed objects on surfaces,
- Damages due to contact of substances such as high-grade alcohol, naphtha, thinner and acetone with the product are not under warranty.
- Breaks due to overstraining the plastic parts,
- The product must not be cut, drilled or painted. Such damages are not under warranty.
- Damages due to impacts on the product during carriage and use are not under warranty.

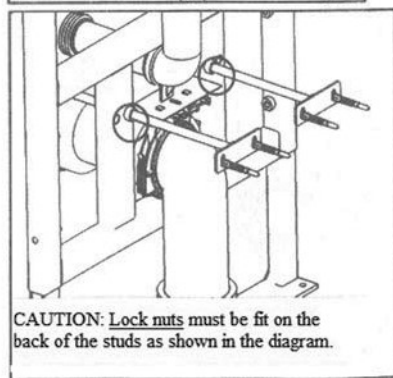
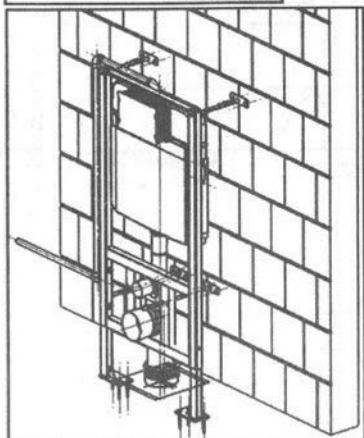
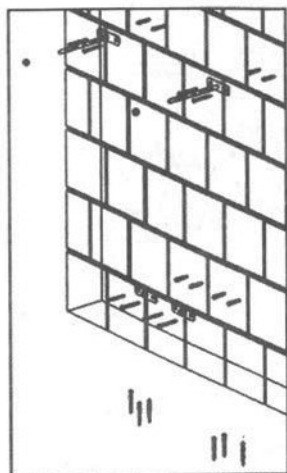
Warranty terms

1. The warranty period commences on the date of delivery of the product and is 5 years, the seals excluded.
 2. The whole of the product is covered under warranty including all parts of the product (save for the cases not covered under warranty - Article 2).
 3. In the event of non-performance within the warranty period, the time the product is under repair is added to the warranty period. The time to repair is 30 business days. Where a fault is not supplied within 15 business days, the manufacturer or the importer must provide another product with similar features for the consumer.
 4. In the event of non-performance due to material, workmanship or installation faults during the warranty period, such faults will be fixed without demanding any workmanship costs, replacement part price or other charge whatsoever.
5. Despite the consumer's right of repair, where:
- the same problem happens in more than two instances or different problem happen in more than four instances or different problem happen in more than six instances in total within one year after the delivery of the product to the consumer within the specified warranty term and such problem causes permanent non-use of the product,
 - the maximum time to repair is exceeded,
 - a report by any of the dealer, representative, agency, distributor, importer or manufacturer if the company does not have a service station shows that problem is unrepairable, the consumer may demand replacement free of charge or refund or discount in respect of that fault.
6. Problems due to installation or use against the instructions given in the installation instructions and the instructions for use are not covered under warranty. Cases not under warranty are given above.
7. You can turn to the Ministry of Industry and Trade or the General Directorate for Protection of Customer and Competition for problems that might arise out of the warranty.

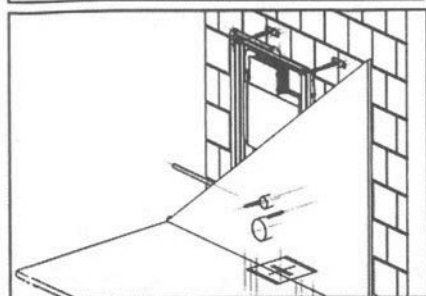
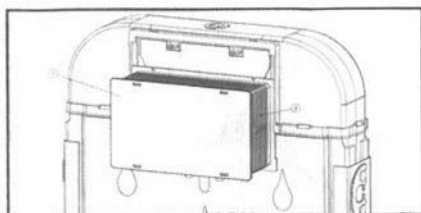
Quick installation for wall-faced toilet bowls 3/6 lt. set



Height "h" means the studaxis from the finished grade and is 320 mm on average. However the exact measurement is adjusted according to the swivel axis to be used.



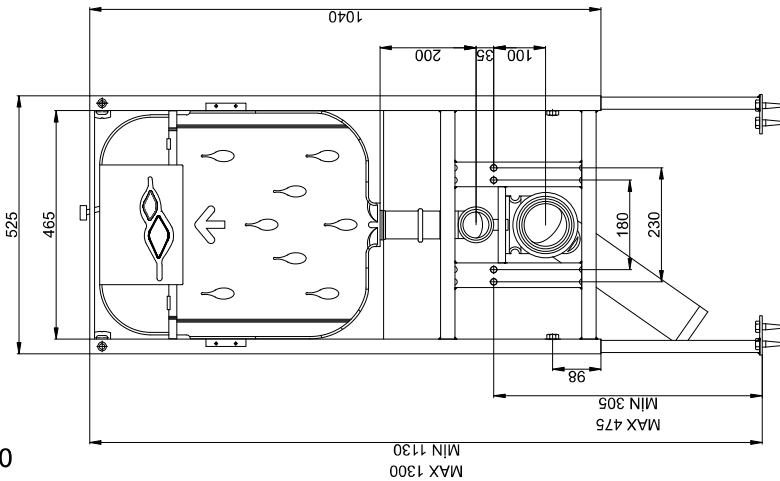
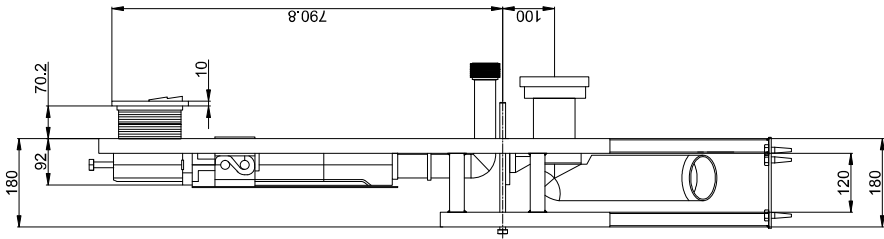
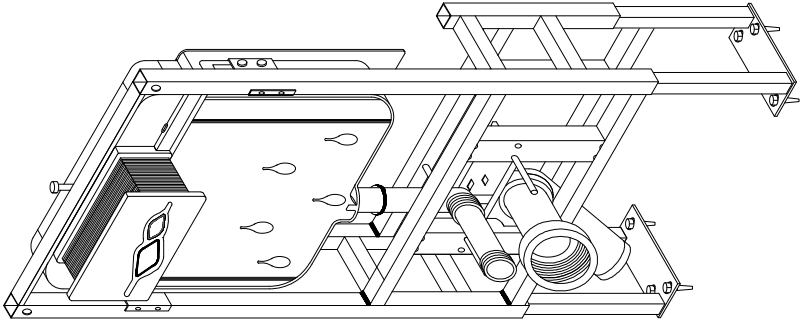
CAUTION: Lock nuts must be fit on the back of the studs as shown in the diagram.



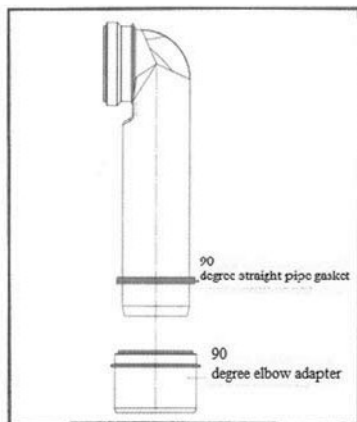
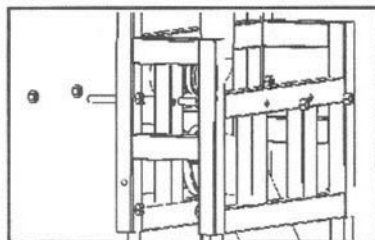
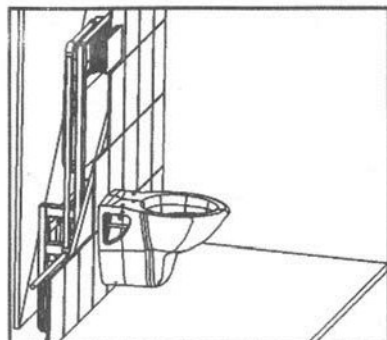
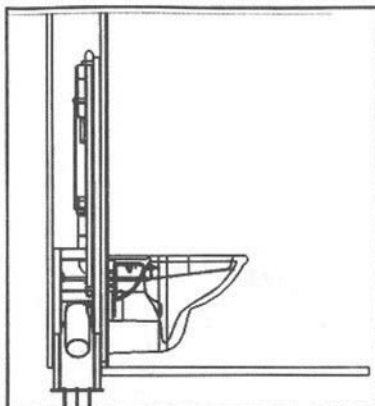
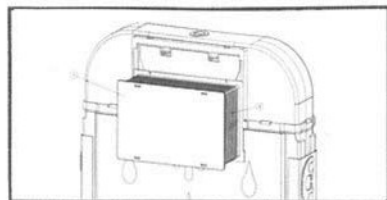
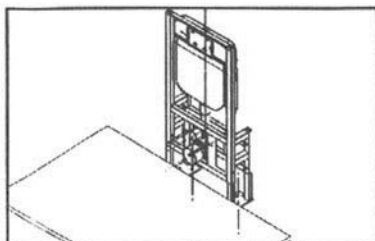
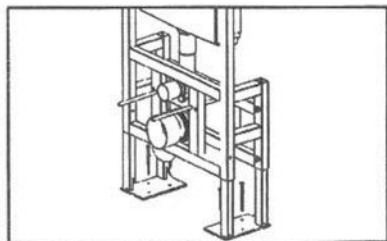
- Mark and drill installation holes on the floor and on the wall. Put wall plugs in.
- Set the installation height and fasten the installation feet tightly to the chassis using bolts. Fix the installation rubbers to stud sections facing the wall, and scale and secure the chassis fitting nuts on its back.
- Mount the protective track on the body using the screws. Put on the protective track lid. Put on the elbow plugs.
- Cover the front of the cistern with plasterboard etc.
- Apply plastering and ceramic coating and mount the cistern in its place.

The brick wall plugs coming with the product must be used in mounting to the wall and the expansion bolts in mounting to the floor.

Quick installation for floor-mounted toilet bowls 3/6 lt. set



Height "h" means the studaxis from the finished grade and is 320 mm on average. However the exact measurement is adjustec according to the swivel axis to be used.



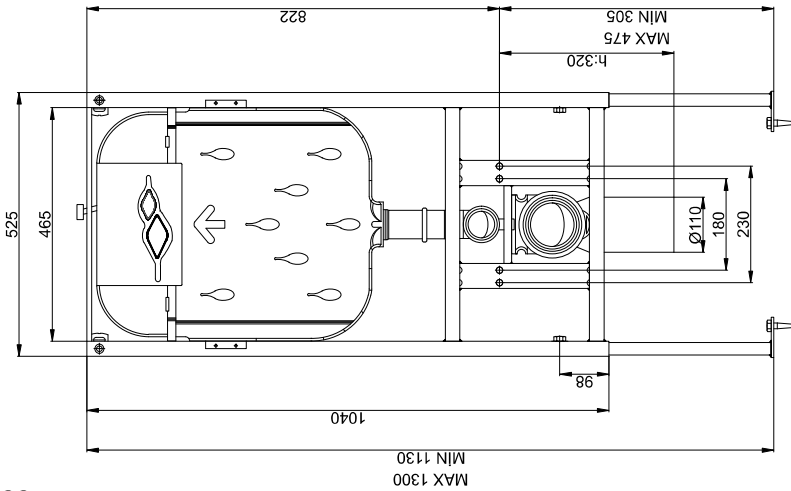
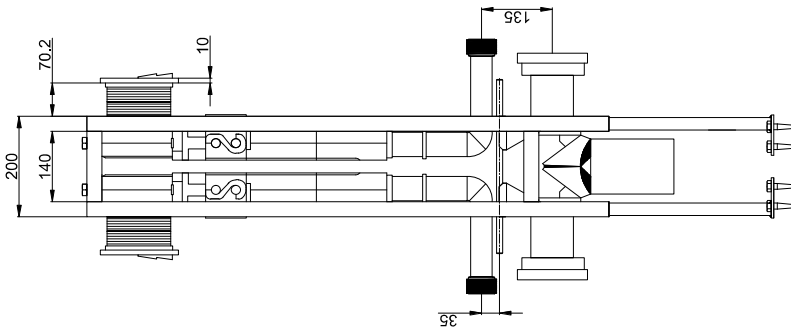
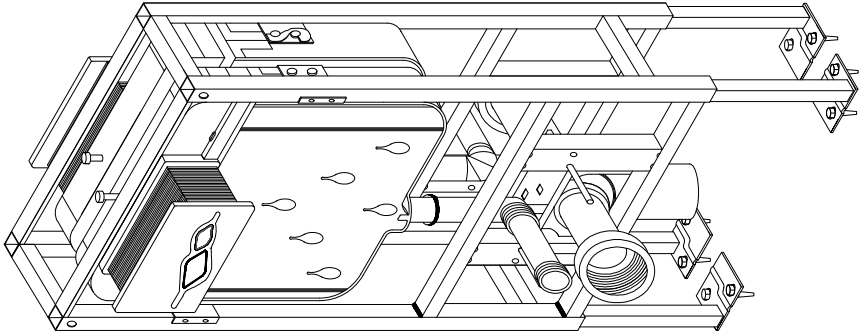
The expansion bolts coming with the product must be used in mounting to the concrete floor.

CAUTION: Lock nuts must be fitted on the back of the studs as shown in the diagram.

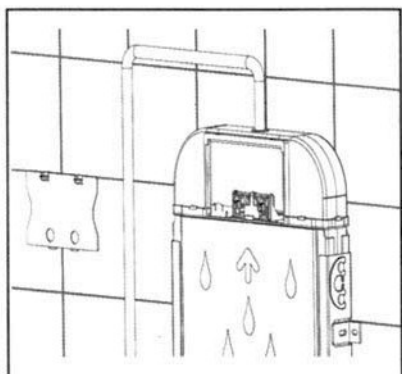
- Set the installation height and fasten the installation feet tightly to the chassis using bolts.
- Mark and drill through the installation holes in the feet.
- Screw the studs into the holes.
- After scaling, mount the cistern on the floor.
- Mount the protective track on the body using the screws. Put on the protective track lid.
- Cover the cistern with plasterboard etc.

Apply plastering and ceramic coating and mount the cistern in its place.

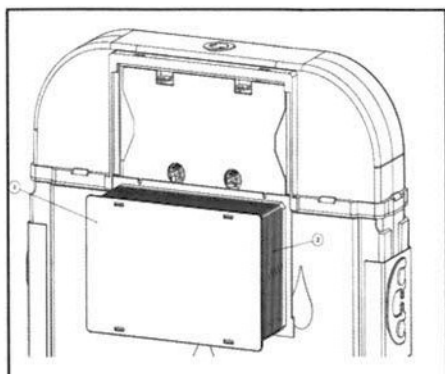
Quick installation for double back-to-back toilet bowls 3/6 lt. set



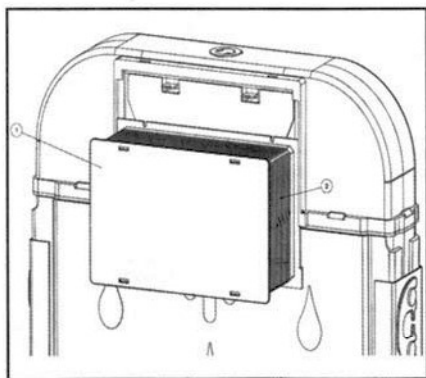
Height "h" means the studaxis from the finished grade and is 320 mm on average. However the exact measurement is adjustec according to the swivel axis to be used.



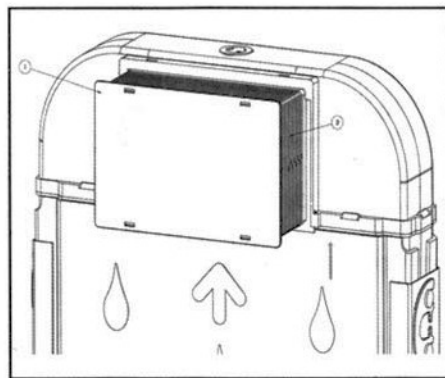
Put off the protective lid and plumb in.



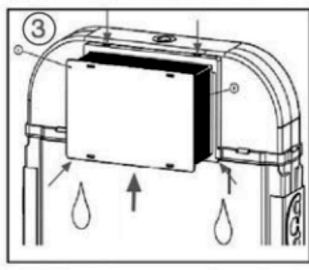
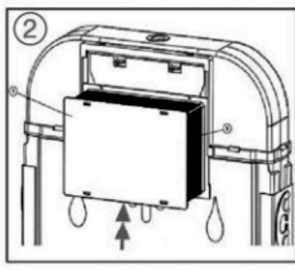
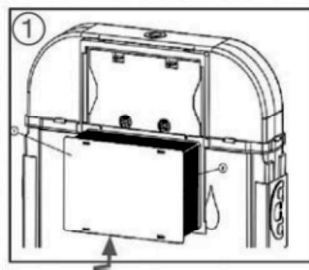
Snap the mould lid into the tracks by pushing up.



Push the mould lid



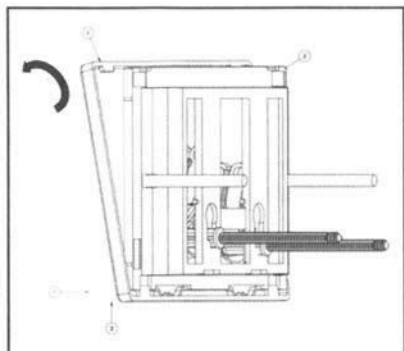
Slot the mould lid to the upper body.



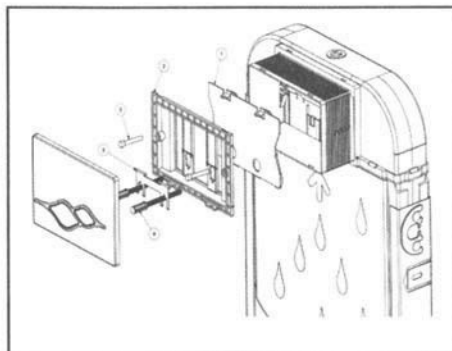
2) AFTER LEVELLING THE PANEL CONNECTION MOULD WITH THE SUPPORT, PUSH IT UP.

3) SNAP THE PANEL CONNECTION MOULD INTO THE TOP AND SIDE BEARING.

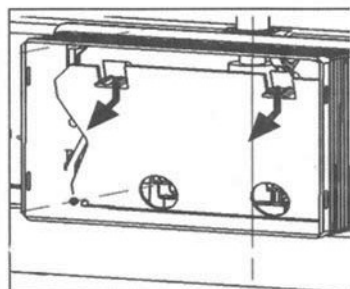
CONTROL PANEL MODEL



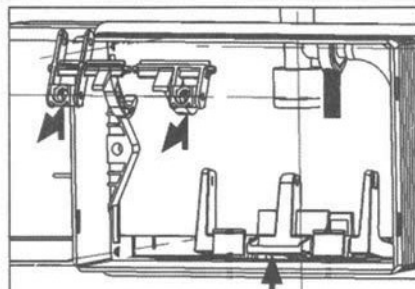
Panel



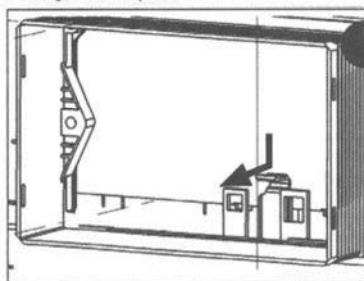
Panel and Plastic Frame



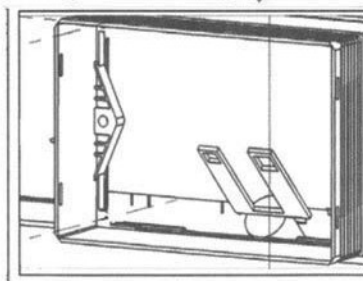
Protective Lid



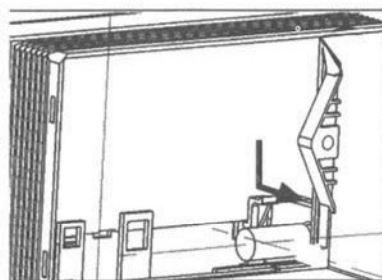
Moving Lever and Bridge



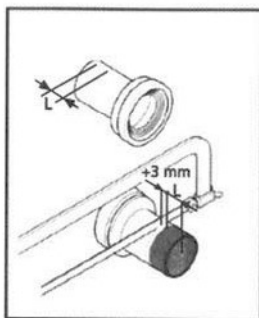
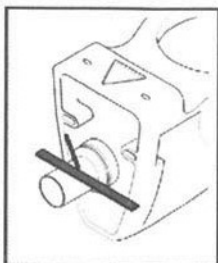
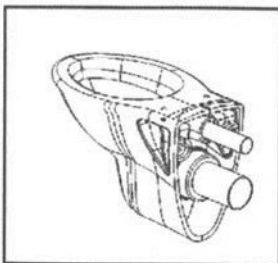
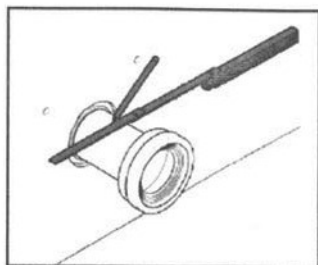
Discharge Lock



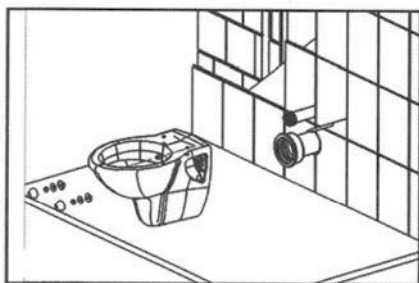
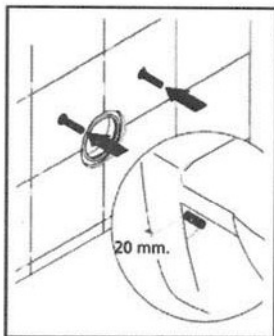
Discharge Set



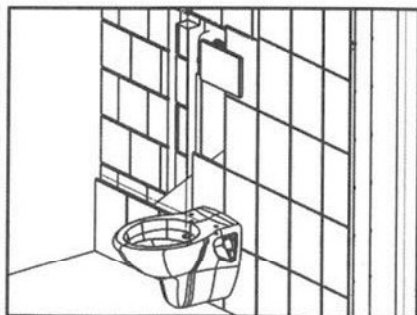
Filling Set



- Put clean and waste water pipe extensions into place onto wall and fit them firmly. Cross a line on the pipe using a ruler placed on the wall surface.
- Install the pipes on the closet and cross a line on the pipe using a ruler placed on the back side of the closet. The distance between the two lines is "L".
- Cut off the "L + 3mm" off the pipes and clean up.



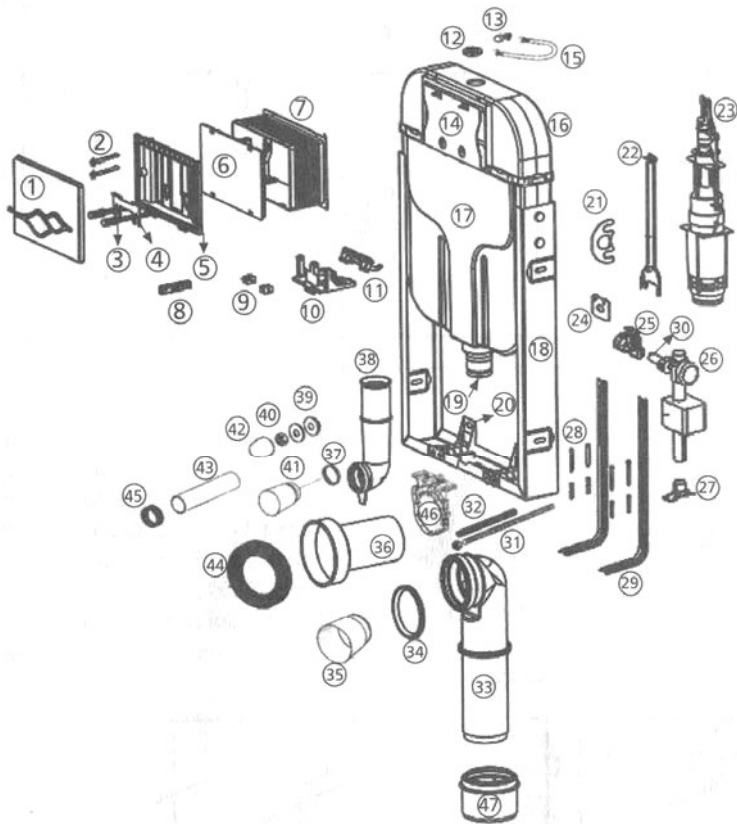
Must be 20mm. Any excess must be cut down.



- Mount the closet into place and measure it. The studs should not be longer more than by 20 mm. Cut off any excess.
- Mount the closet into place.

Caution! The closet must be mounted on the plastic stud bushings.

- Put on the stud bushings and secure the closet using washers and nuts. Put on the screw caps.
- Fill the cistern with water and check for functioning and leakage.

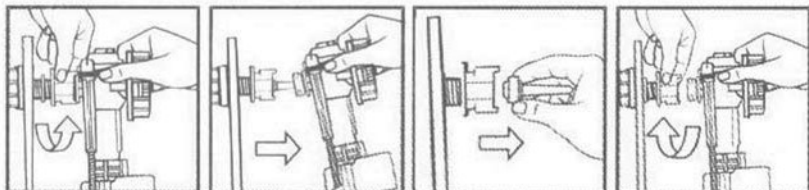


No:	PRODUCT CODE	PRODUCT NAME	No:	PRODUCT CODE	PRODUCT NAME
1	GPX00X.OX	CONTROL PANEL	25	600475	FILLING BRIGE
2	600760	M6X90 YSB COMBI INOX SCREW	26	600810	FILLING SET
3	600507	DELIVERY ROD	27	600477	FILLING LOWER ELEMENT
4	EGP-0002.001.04	PLASTIC FRAME LOCK	28	600744	M6.3X70 SCREW & WALL PLUG SET
5	EGP-0001.001.04	PLASTIC FRAME	29	600734	METAL FOOT
6	EGR-0006.001.04	MOULD LID	30	xxxx	FILLING FILTER
7	GR.01.014.00	PANEL CONNECTION MOLD	31	600749	M12X225 STUND
8	EGR-0011.001.04	LOWER BODY FIXING BRIGE	32	600827	STUD HOSE
9	600510	CLIPS	33	EGR-0003.001.03	90 DEGREE ELBOW
10	600483	MOVING LEVER BRIDGE	34	600834	90 DEGREE ELBOW SEAL
11	600485-484	3-6 MOVING LEVER	35	EGR-0009.001.05	90 DEGREE ELBOW PLUG
12	EGR-0010.001.04	SHOWHOSE FERRULE	36	GR.01.019.00	STRAIGHT PIPE
13	600822	SHOWHOSE	37	600836	CLEAN WATER PIPE SEAL
14	600486	PROTECTIVE LID	38	EGR-0002.001.02	CLEAN WATER PIPE
15	600821	FLEX	39	600497	SCREW LID PART CLOCK
16	EGR-0013.001.01	UPPER BODY	40	600755	M12 NUT
17	EGR-0012.001.01	LOWER BODY	41	EGR-0015.001.05	CLEAN WATER PIPE PLUG
18	600725	METAL FRAME	42	600496	SCREW LID ELEMENT
19	600838	BODY OUTLET O-RING	43	600495	EXTENSION PIPE
20	EGR-0014.001.04	METAL FRAME STUD HOUSING	44	600837	STRAIGHT PIPE SEAL
21	600501	METAL FRAME LOCK PLASTIC	45	600835	EXTENSION PIPE SEAL
22	EGR-0001.001.01	DISCHARGE FIXING ELEMENT	46	EGR-0005.001.03	PLASTIK FRAME
23	600878	DISCHARGE GROUP	47	EGR-0004.001.03	ELBOW ADAPTER
24	600506	WALL DISTANCE BLOCK			

FLOATER SET MAINTENANCE

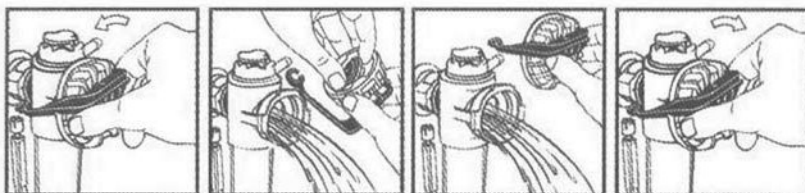
In case of low pressure:

If it takes more than 4 min. for the cistern to fill up, remove the flow control element. Put the body into place.



Changing a seal:

Remove and wash the seal. Wash off any on the valve body by turning on and off the water. Mount the seal and head to the body.



GARANTİ BELGESİ

Üretici veya İthalatçı Firmanın:

Unvanı: Çanakçılar Seramik Sanayi ve Ticaret A.Ş.
Adresi: Çukur Köyü Mevki GÖKÇEBEY - ZONGULDAK
Telefonu: 0372 535 51 33
Faks: 0372 535 51 34
e-posta: info@creavit.com.tr

Yetkilinin İmzası:
Firmanın Kaşesi:

**ÇANAKÇILAR SERAMİK
SAN. VE TİC. A.Ş.**
Tel: 0372 535 51 33 (3 Hat)
0372 535 51 34

Satıcı Firmanın:

Unvanı:
Adresi:
Telefonu:
Faks:
e-posta:
Fatura Tarih ve Sayısı:
Teslim Tarihi ve Yeri:
Yetkilinin İmzası:
Firmanın Kaşesi:

Gökçevey / ZONGULDAK
Devrek / T.C. : 228 006 5733

Malin

İnsi: Rezervuar

Markası: creavit

Modeli: Gömme Rezervuar (Tüm Modeller için)

Garanti Süresi: 10 YIL

Azami Tamir Süresi: 20 İş günü

Bandrol ve Seri No:

GARANTİ ŞARTLARI

1) Garanti süresi, malın teslim tarihinden itibaren başlar ve 10 yıldır. (Contalar için 2 yıldır)

2) Malın bütün parçaları dahil olmak üzere tamamı garanti kapsamındadır.

3) Malın ayıplı olduğunun anlaşılması durumunda tüketici, 6502 sayılı Tüketicinin Korunması Hakkında Kanunun 11 inci maddesinde yer alan;

a- Sözleşmeden dönme,

b- Satış bedelinden indirim isteme,

c- Ücretsiz onarımını isteme,

ç- Satılan ayıpsız bir misli ile değiştirilmesini isteme,
haklarından birini kullanabilir.

4) Tüketicinin bu haklardan ücretsiz onarım hakkını seçmesi durumunda satıcı; işçilik masrafı, değiştirilen parça bedeli ya da başka herhangi bir ad altında hiçbir ücret talep etmeksizin malın onarımını yapmak veya yaptırmakla yükümlüdür. Tüketici ücretsiz onarım hakkını üretici veya ithalatçıya karşı da kullanabilir. Satıcı, üretici ve ithalatçı tüketicinin bu hakkını kullanmasından müteselsilen sorumludur.

5) Tüketicinin, ücretsiz onarım hakkını kullanması halinde malın;

- Garanti süresi içinde tekrar arızalanması,

- Tamiri için gereken azami sürenin aşılması,

- Tamirinin mümkün olmadığının, yetkili servis istasyonu, satıcı, üretici veya ithalatçı tarafından bir raporla belirlenmesi durumlarında;

tüketici malın bedel iadesini, ayıp oranında bedel indirimini veya imkân varsa malın ayıpsız misli ile değiştirilmesini satıcıdan talep edebilir. Satıcı, tüketicinin talebini reddedemez. Bu talebin yerine getirilmemesi durumunda satıcı, üretici ve ithalatçı müteselsilen sorumludur.

6) Malın tamir süresi 20 iş gününü, binek otomobil ve kamyonetler için ise 30 iş gününü geçemez. Bu süre, garanti süresi içerisinde mala ilişkin arızanın yetkili servis istasyonuna veya satıcıya bildirim tarihinde, garanti süresi dışında ise malın yetkili servis istasyonuna teslim tarihinden itibaren başlar. Malın arızasının 10 iş günü içerisinde giderilememesi halinde, üretici veya ithalatçı; malın tamiri tamamlanıncaya kadar, benzer özelliklere sahip başka bir malı tüketicinin kullanımına tahsis etmek zorundadır. Malın garanti süresi içerisinde arızalanması durumunda, tamirde geçen süre garanti süresine eklenir.

7) Malın kullanma kılavuzunda yer alan hususlara aykırı kullanılmasından kaynaklanan arızalar garanti kapsamı dışındadır.

8) Tüketici, garantiden doğan haklarının kullanılması ile ilgili olarak çıkabilecek uyuşmazlıklarda yerleşim yerinin bulunduğu veya tüketici işleminin yapıldığı yerdeki Tüketici Hakem Heyetine veya Tüketici Mahkemesine başvurabilir.

9) Satıcı tarafından bu Garanti Belgesinin verilmemesi durumunda, tüketici Gümrük ve Ticaret Bakanlığı Tüketicinin Korunması ve Piyasa Gözetimi Genel Müdürlüğüne başvurabilir.