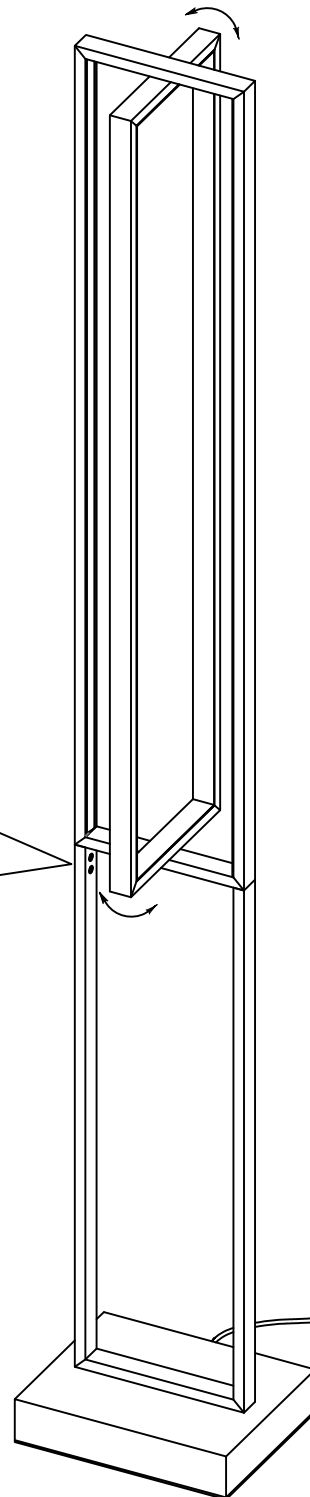
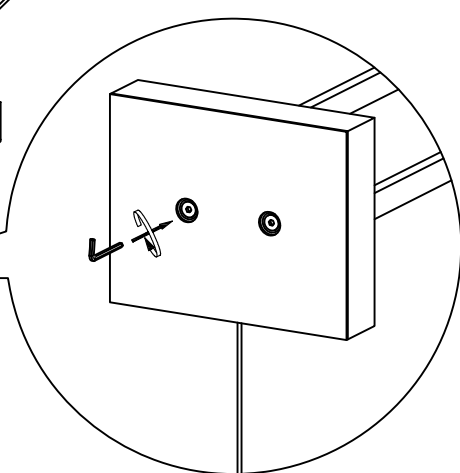
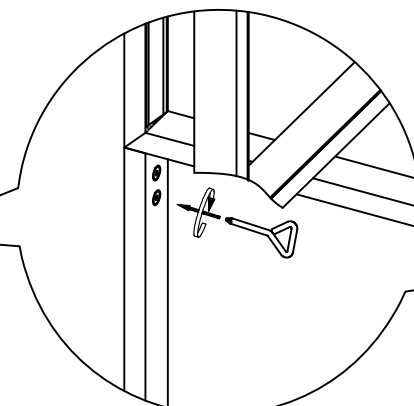
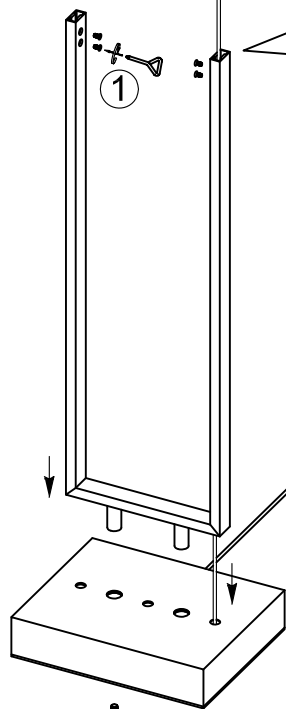
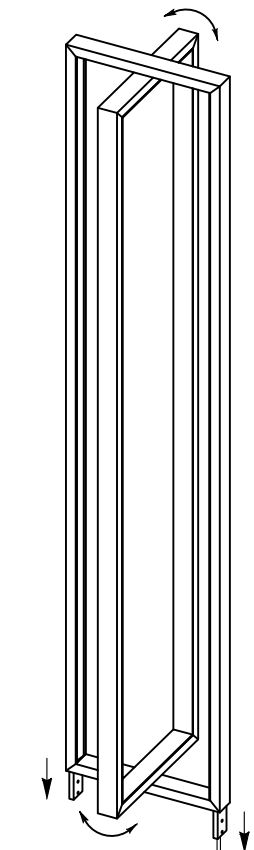


INCLUDE/INKLUSE



A

B

