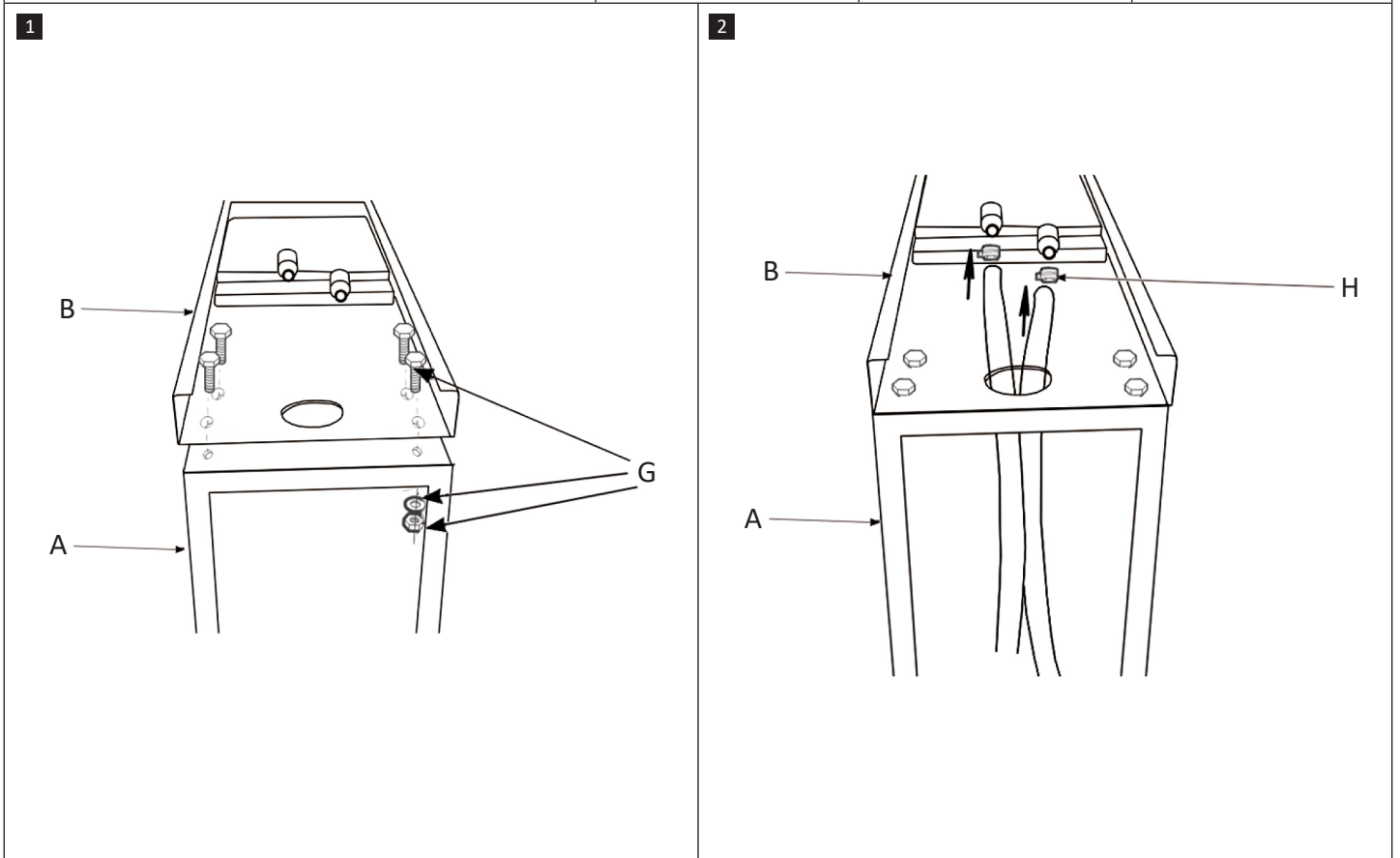
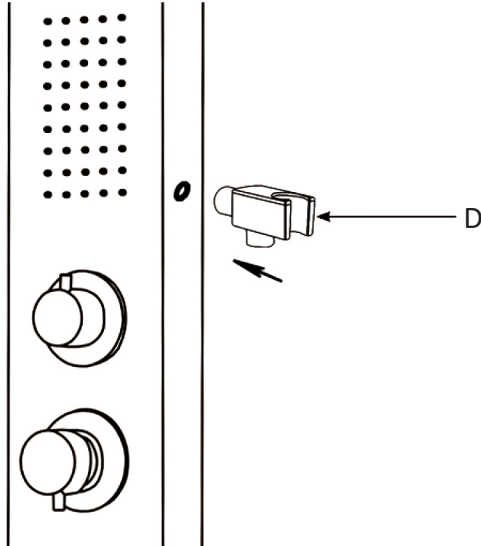


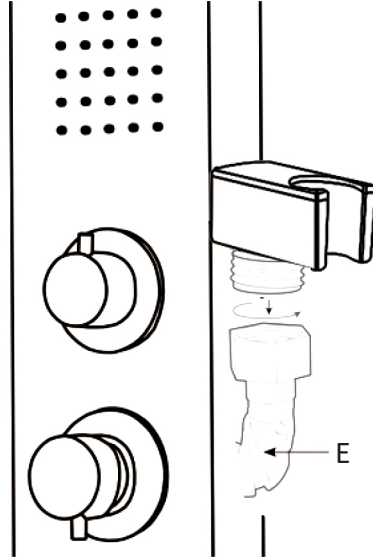
| | | | | | | |
|--|-----|--|-----|-------------|-----|-------------|
| | A | | B | | C | |
| | D | | E | <p>1.5m</p> | F | <p>0.5m</p> |
| | Gx4 | | Hx3 | | Ix4 | |
| | Jx4 | | Kx2 | | Lx4 | |



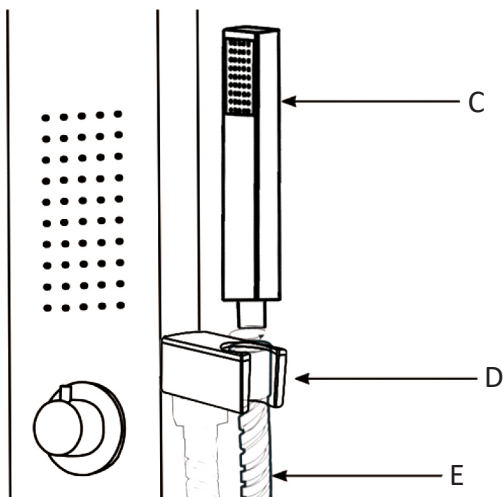
3



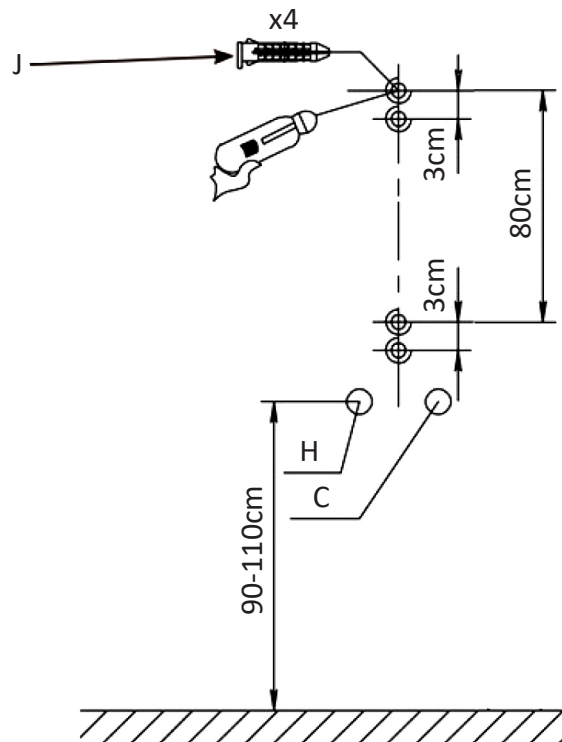
4



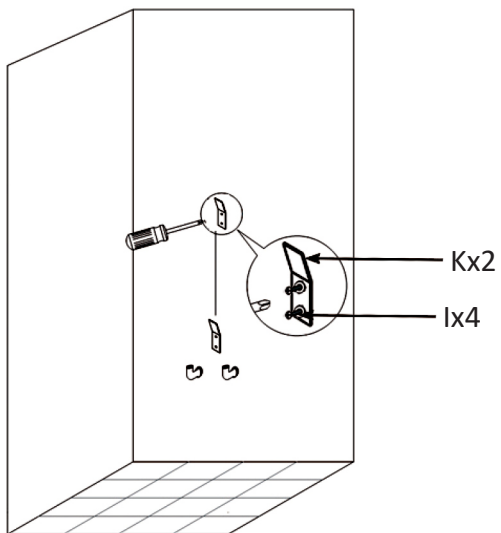
5



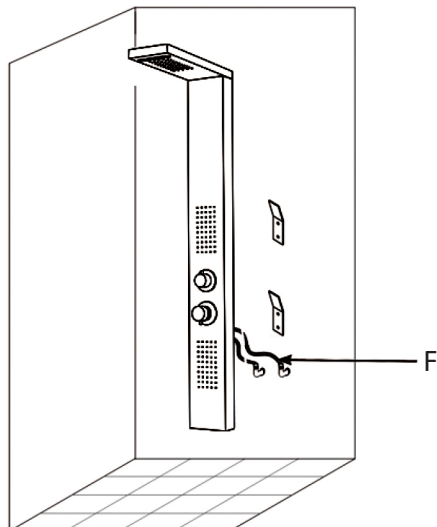
6



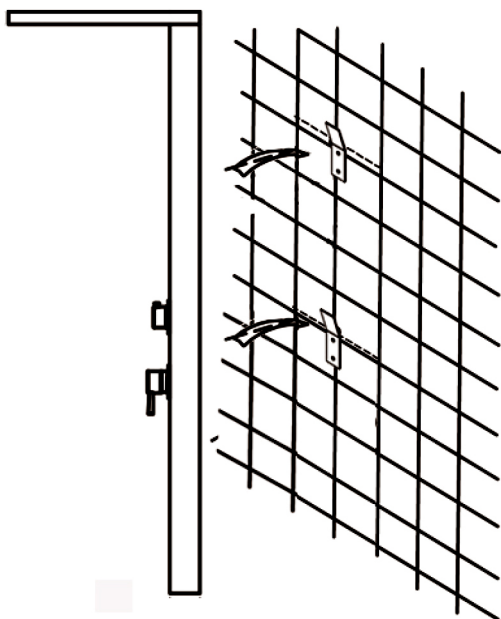
7



8



9



10

