

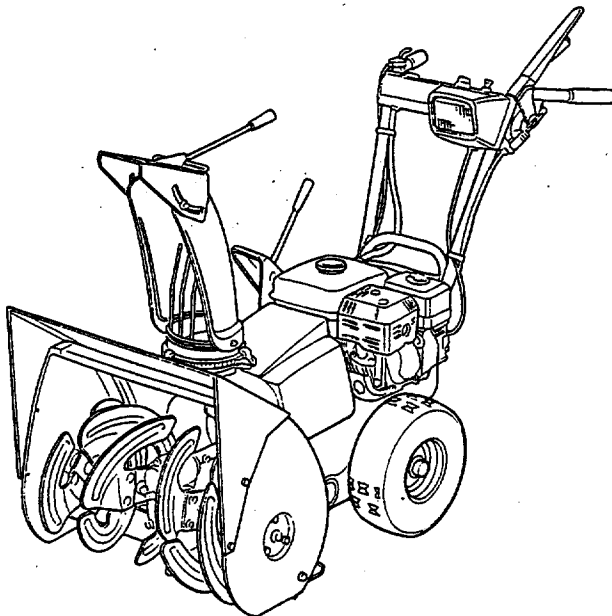
Set-up Instructions

HONDA HS522

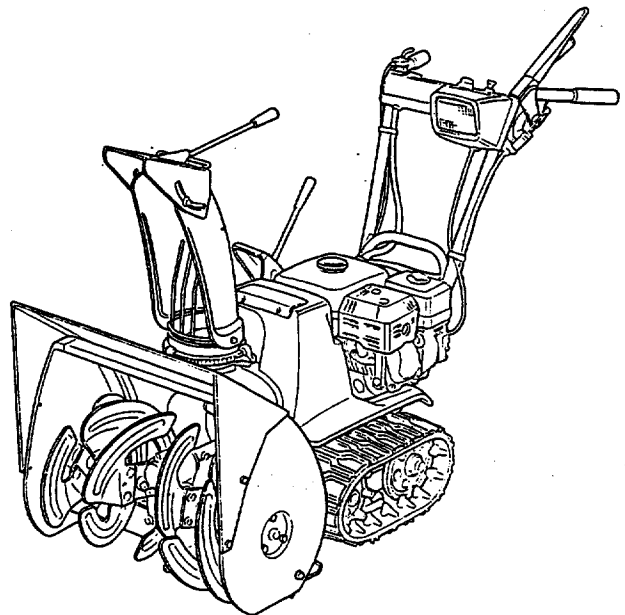
WARNING

This manual provides information for the proper set-up of the Honda snowblower HS522. Proper set-up is essential to operator safety and reliability to the snowblower.

HS522
(WHEEL TYPE)



HS522
(TRACK TYPE)



1. Open the box and take out the snowblower and parts.

Check all the parts against the following items.

- Owner's Manual
- Tool kit

TOOL BAG



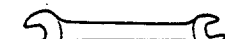
SPARK PLUG WRENCH



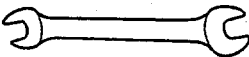
WRENCH HANDLE



10 x 12 mm WRENCH



12 x 14 mm WRENCH



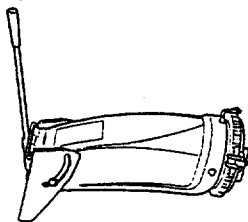
TWO 6 x 35 mm BOLTS



TWO 6 mm LOCK NUTS



- CHUTE Assembly



- Four HANDLE HOLDER BOLTS



- Four FRAME JOINT WASHERS



- Four 8 mm FLANGE NUTS



- Two 6 mm PINS
(Wheel type only)



- Two SPLIT PINS
(Wheel type only)



- Three CABLE BANDS



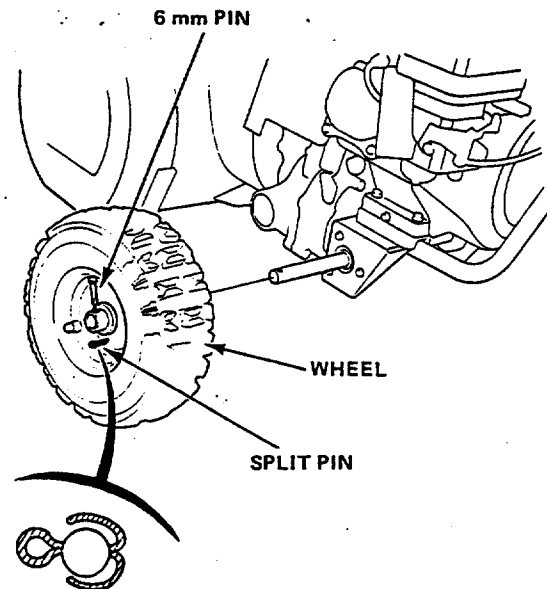
- Four 6 x 10 mm FLANGE BOLTS



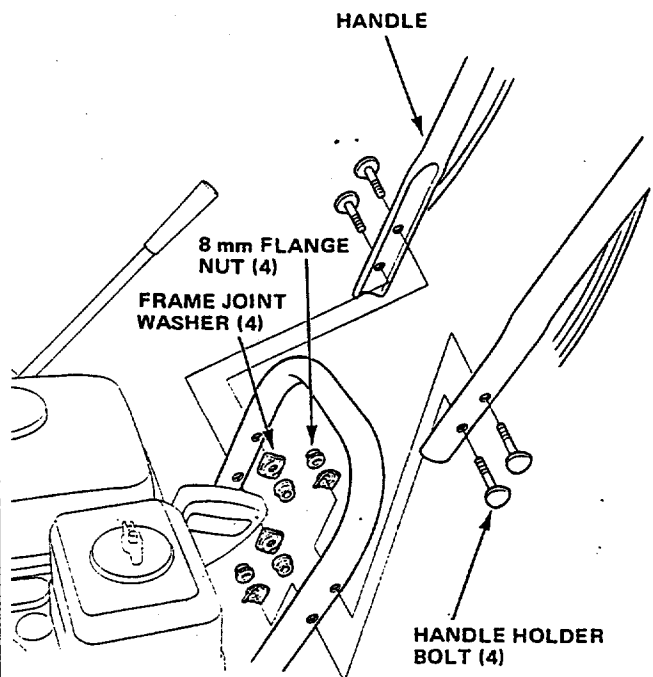
(Wheel type only)

2. Slide right and left wheels onto axle and install using a 6 mm pin for each.

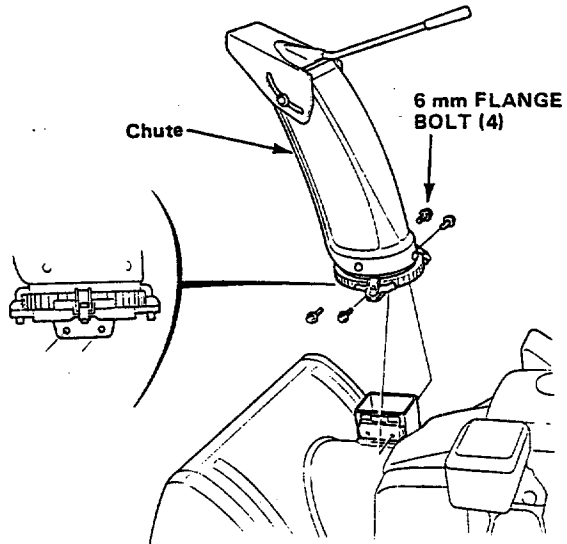
Insert a split pin in each 6 mm pin and spread ends as shown.



3. Install the handle with four handle holder bolts, frame joint washers and 8 mm flange nuts.



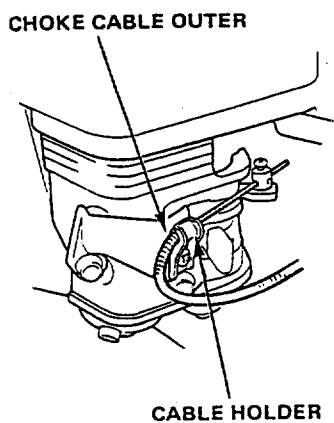
4. Install the chute using four 6 x 12 mm flange bolts.



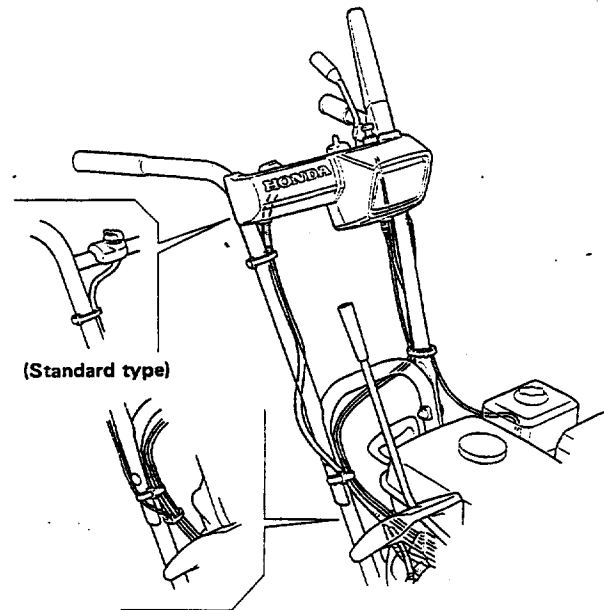
(DC starter type only)

5. Secure the choke cable with the cable holder.

Note: Before tightening, push the choke knob down to the FULLY OPEN position so that the choke lever is on the right side (FULLY OPEN-POSITION).



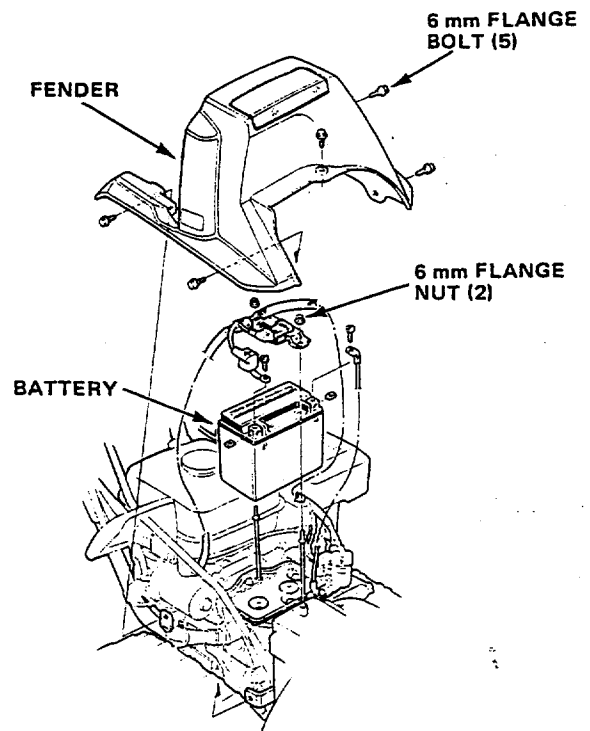
6. Install the wire bands where shown.



(DC starter type only)

7. (1) Remove the main fender by removing the five 6 mm flange bolts.

(2) Remove the two 6 mm flange nuts, and remove the battery.



- (3) Service the battery as described in the battery preparation booklet.
- (4) Charge the battery.
Top-up charge conditions Charge the battery for 5 hours at 1.2A. To perform a quick charge, charge the battery for 1.0 hour at 5A.
- (5) After charging the battery, reinstall the battery securely. Install the main fender.

CAUTION

- * Connect the (+) cable first.
 - Do not mis-connect the (+) and (-) terminals.
 - Be careful not to short circuit the battery.
 - Be careful that the wire and cables do not get pinched on installation.
 - To prevent battery damage, do not remove the sealing caps when charging, or to try to add fluid.

PRE-DELIVERY INSPECTION CHECK LIST

Check, all items on the following list. Refer to Owner's Manual or Shop Manual for specifications and detailed procedures. Test every unit to be sure that it is functioning properly.

- ENGINE OIL – Fill to the correct level with the recommended oil.
- FUEL TANK – Drain, inspect and fill. Turn on the fuel valve and check for leaks.
- CARBURETOR FLOAT CHAMBER – Drain old gasoline.
- ALL NUTS, BOLTS, AND OTHER FASTENERS – Check security and tighten if necessary.
- BATTERY – Charge battery if delivery date passes over 6 months from date shown on battery when sold.
- TEST – Start engine and check operation.
 - Check throttle adjustment.
 - Check governor operation.
 - Check drive clutch operation.
 - Upon completion of test, check for fuel or oil leaks.



HONDA
HONDA MOTOR CO., LTD. TOKYO, JAPAN

9274300

英 (SM) A508709
PRINTED IN JAPAN