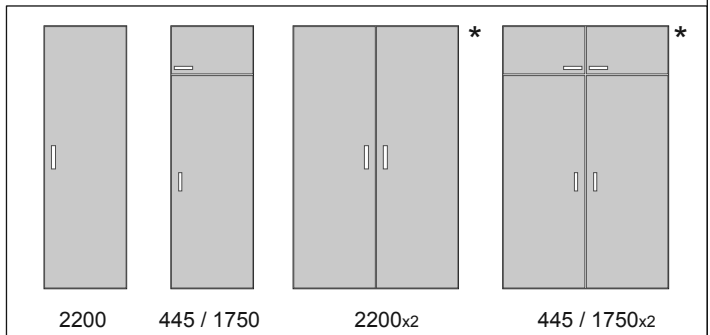
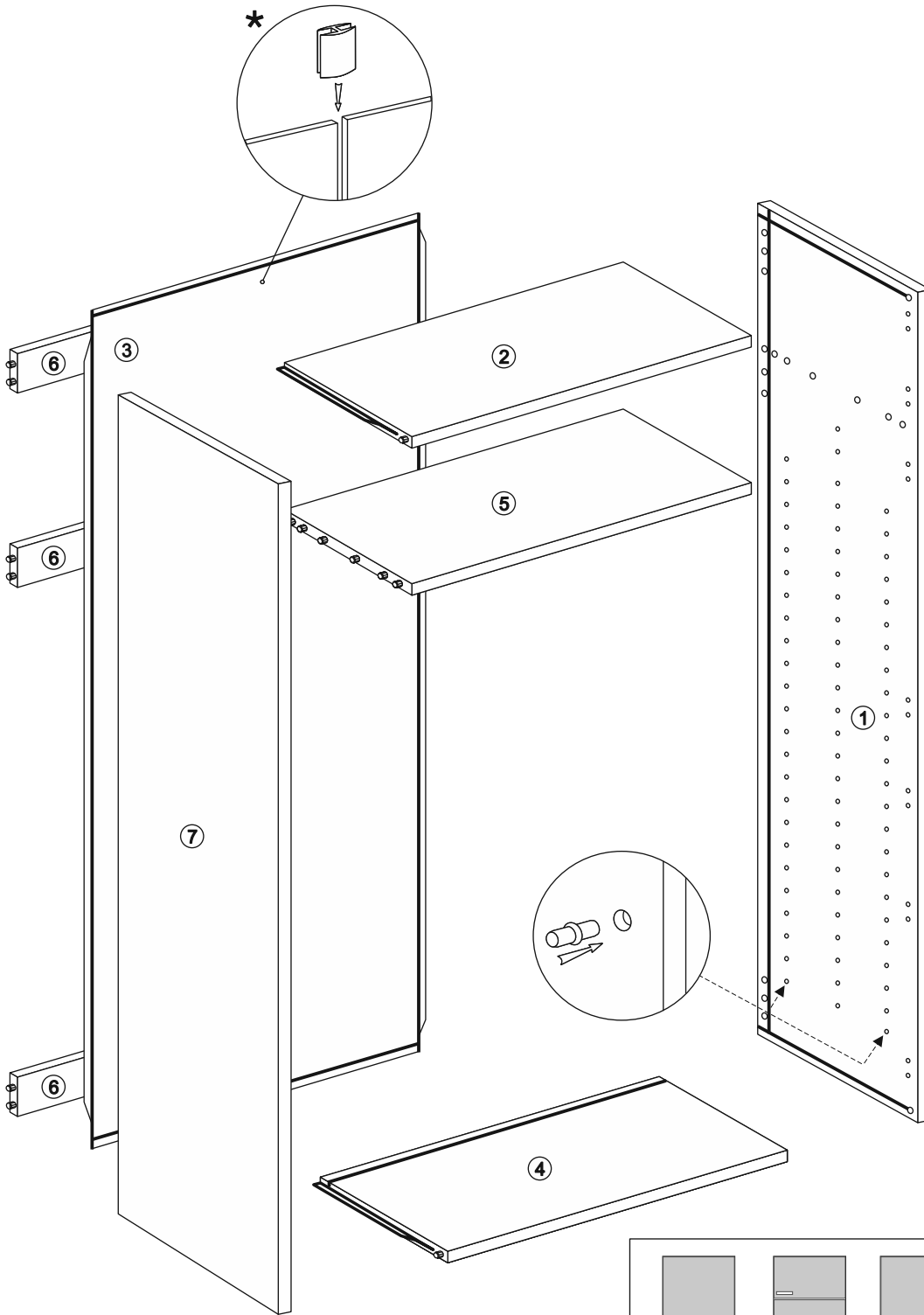


CKKK3RE
 CKKK4RE
 CKKK5RE
 CKKK6RE
 CKKK8RE*
 CKKK10RE*
 CKKK12RE*



HPC1	4x	20x	4x

