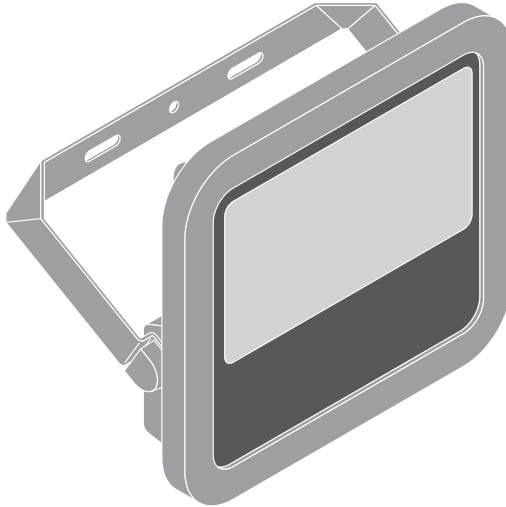
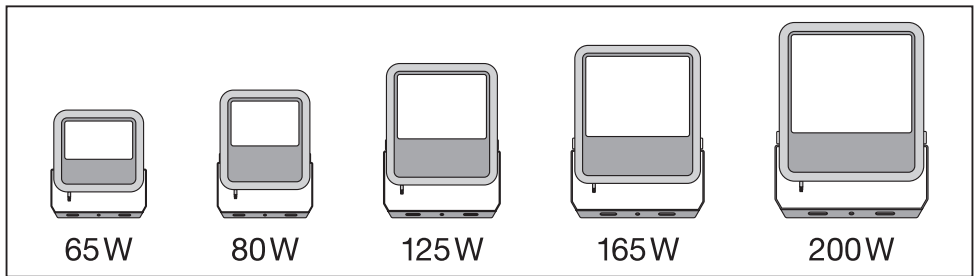

FLOODLIGHT

65W – 200W

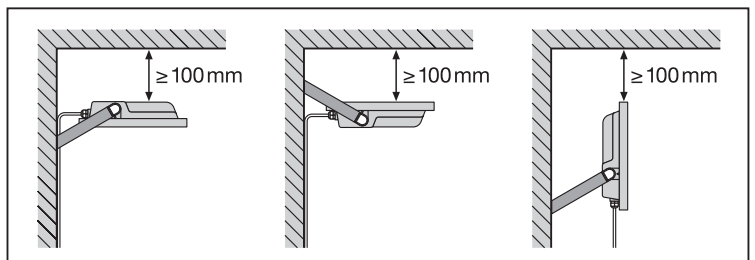
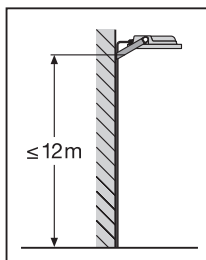


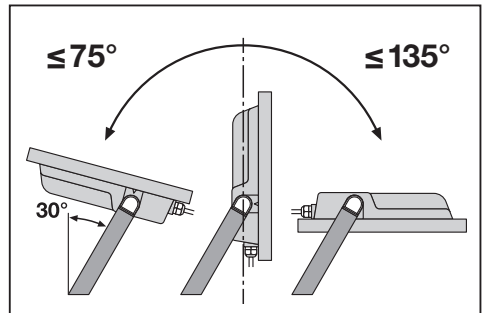
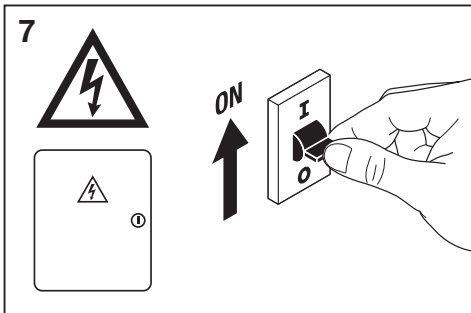
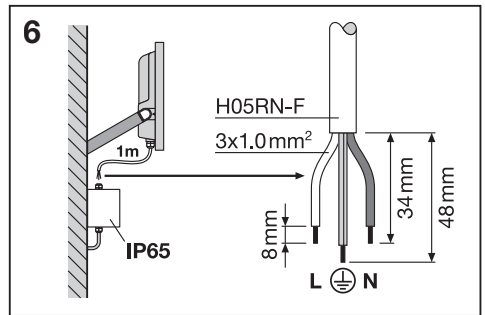
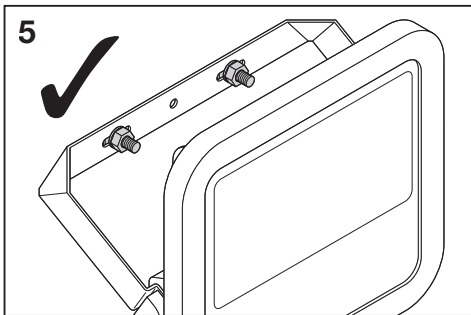
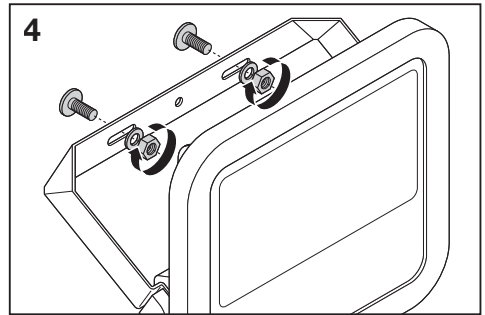
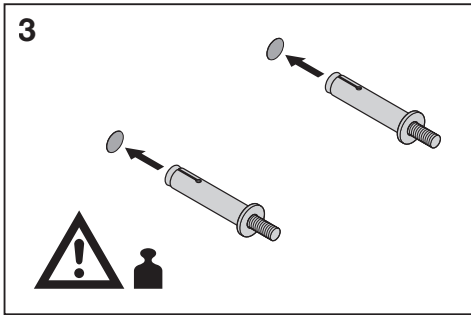
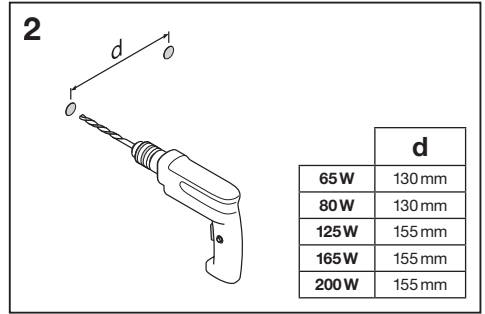
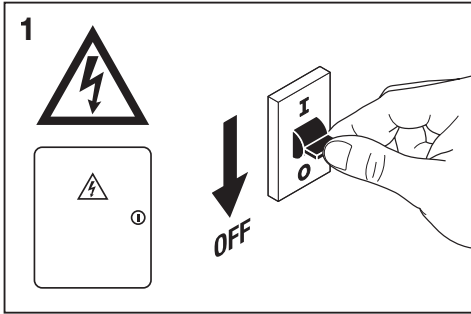
	EAN	l x w x h [mm]	W	V _{AC}	Hz	lm	lm/W	K
FL PFM 65W/3000K SYM 100 BK	4058075422445	268x237x49	65	100-277V	50/60Hz	7150	110	3000
FL PFM 65W/4000K SYM 100 BK	4058075422469	268x237x49	65	100-277V	50/60Hz	8000	123	4000
FL PFM 65W/6500K SYM 100 BK	4058075422483	268x237x49	65	100-277V	50/60Hz	8000	123	6500
FL PFM 80W/3000K SYM 100 BK	4058075422506	335x250x55	80	100-277V	50/60Hz	8800	110	3000
FL PFM 80W/4000K SYM 100 BK	4058075422520	335x250x55	80	100-277V	50/60Hz	10000	125	4000
FL PFM 80W/6500K SYM 100 BK	4058075422544	335x250x55	80	100-277V	50/60Hz	10000	125	6500
FL PFM 125W/3000K SYM 100 BK	4058075423695	381x290x59	125	100-277V	50/60Hz	13750	110	3000
FL PFM 125W/4000K SYM 100 BK	4058075423701	381x290x59	125	100-277V	50/60Hz	15000	120	4000
FL PFM 125W/6500K SYM 100 BK	4058075423718	381x290x59	125	100-277V	50/60Hz	15000	120	6500
FL PFM 165W/3000K SYM 100 BK	4058075423725	418x322x60	165	100-277V	50/60Hz	18150	110	3000
FL PFM 165W/4000K SYM 100 BK	4058075423732	418x322x60	165	100-277V	50/60Hz	20000	121	4000
FL PFM 165W/6500K SYM 100 BK	4058075423749	418x322x60	165	100-277V	50/60Hz	20000	121	6500
FL PFM 200W/3000K SYM 100 BK	4058075423756	454x354x62	200	100-277V	50/60Hz	22000	110	3000
FL PFM 200W/4000K SYM 100 BK	4058075423763	454x354x62	200	100-277V	50/60Hz	25000	125	4000
FL PFM 200W/6500K SYM 100 BK	4058075423770	454x354x62	200	100-277V	50/60Hz	25000	125	6500

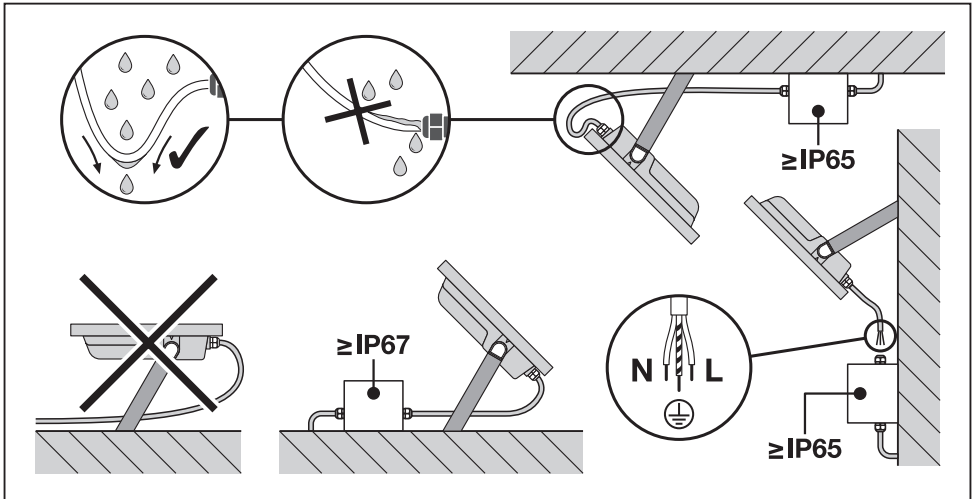
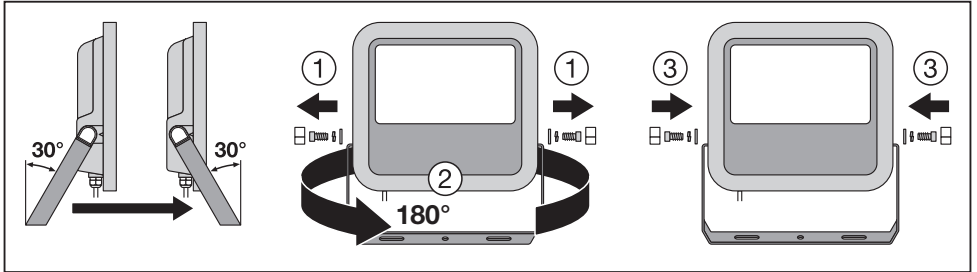
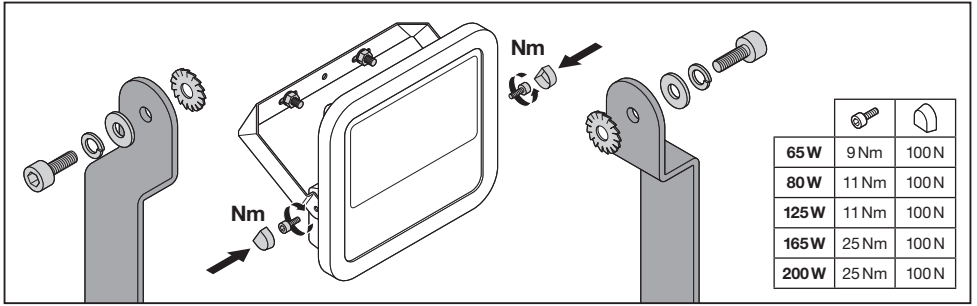
	EAN	IP	IK	∠	R _a	ΔT (°C)	PF	👤
FL PFM 65W/3000K SYM 100 BK	4058075422445	65	08	100°	≥ 80	-30...+50	> 0.9	1.1 kg
FL PFM 65W/4000K SYM 100 BK	4058075422469	65	08	100°	≥ 80	-30...+50	> 0.9	1.1 kg
FL PFM 65W/6500K SYM 100 BK	4058075422483	65	08	100°	≥ 80	-30...+50	> 0.9	1.1 kg
FL PFM 80W/3000K SYM 100 BK	4058075422506	65	08	100°	≥ 80	-30...+50	> 0.9	1.6 kg
FL PFM 80W/4000K SYM 100 BK	4058075422520	65	08	100°	≥ 80	-30...+50	> 0.9	1.6 kg
FL PFM 80W/6500K SYM 100 BK	4058075422544	65	08	100°	≥ 80	-30...+50	> 0.9	1.6 kg
FL PFM 125W/3000K SYM 100 BK	4058075423695	65	08	100°	≥ 80	-30...+50	> 0.9	2.6 kg
FL PFM 125W/4000K SYM 100 BK	4058075423701	65	08	100°	≥ 80	-30...+50	> 0.9	2.6 kg
FL PFM 125W/6500K SYM 100 BK	4058075423718	65	08	100°	≥ 80	-30...+50	> 0.9	2.6 kg
FL PFM 165W/3000K SYM 100 BK	4058075423725	65	08	100°	≥ 80	-30...+50	> 0.9	3.7 kg
FL PFM 165W/4000K SYM 100 BK	4058075423732	65	08	100°	≥ 80	-30...+50	> 0.9	3.7 kg
FL PFM 165W/6500K SYM 100 BK	4058075423749	65	08	100°	≥ 80	-30...+50	> 0.9	3.7 kg
FL PFM 200W/3000K SYM 100 BK	4058075423756	65	08	100°	≥ 80	-30...+50	> 0.9	4.9 kg
FL PFM 200W/4000K SYM 100 BK	4058075423763	65	08	100°	≥ 80	-30...+50	> 0.9	4.9 kg
FL PFM 200W/6500K SYM 100 BK	4058075423770	65	08	100°	≥ 80	-30...+50	> 0.9	4.9 kg



						230 Vac			
		A	B	C	🔩	📏 m²	C10A	B16A	C16A
65W		150	108	8.5	2x M8	0.046 m²	21	29	33
80W		150	108	10.5	2x M10	0.061 m²	17	24	28
125W		170	118	10.5	2x M10	0.083 m²	7	4	11
165W		170	118	12.5	2x M12	0.102 m²	5	3	8
200W		170	118	12.5	2x M12	0.124 m²	5	3	8







CE EAC RoHS



C10449057
G11089151
09.01.20



LEDVANCE GmbH
Steinerne Furt 62
86167 Augsburg, Germany
www.ledvance.com