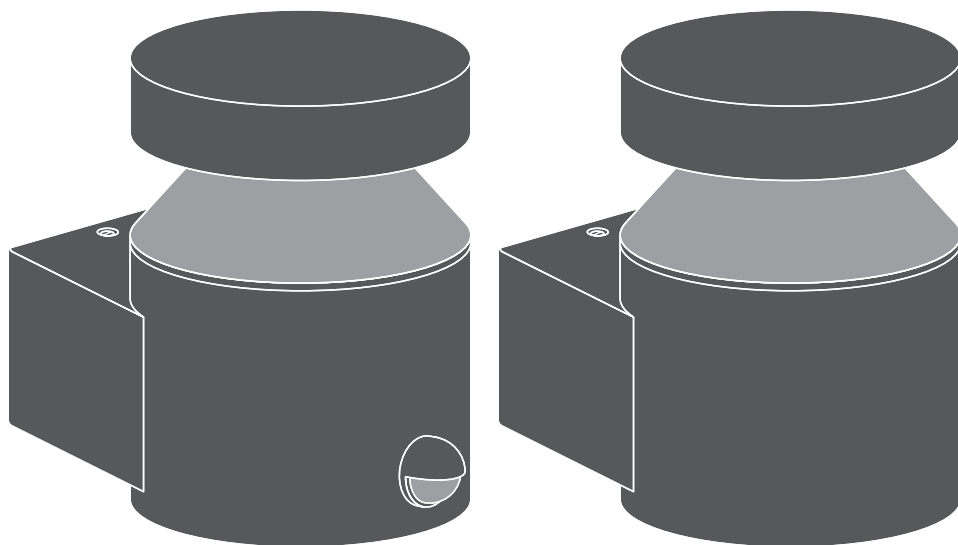


Outdoor Facade Pole Outdoor Facade Pole Sensor

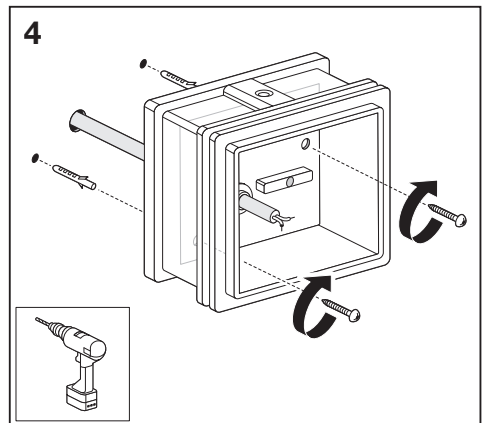
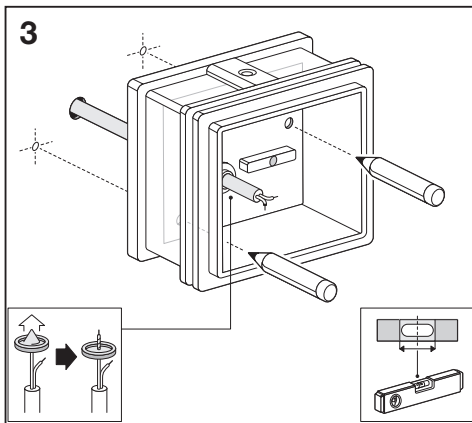
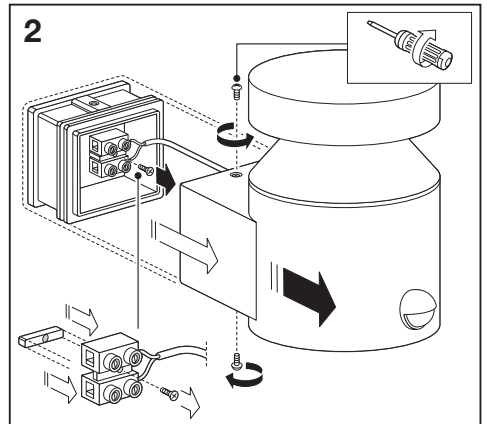
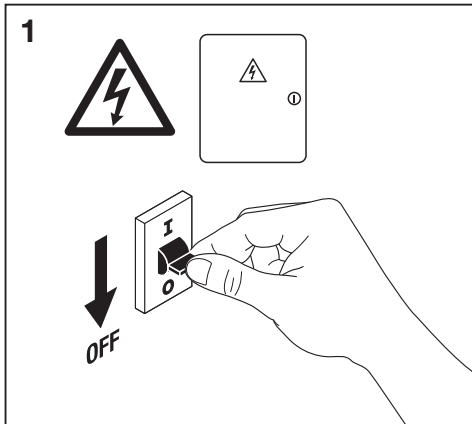
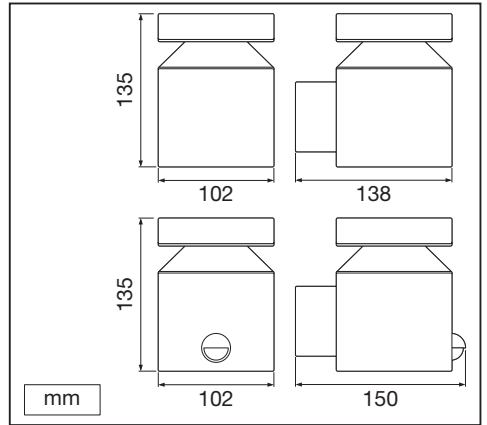
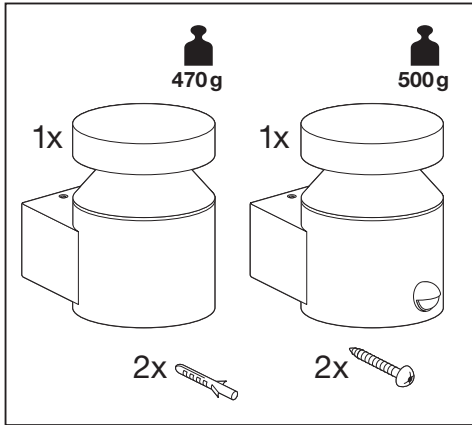


	EAN	L x W x H	W	lm	lm/W	K	IP	IK
Outdoor Facade Pole 6W/3000K SST IP44	4058075075092	138 x 102 x 135	6	350	60	3000K	44	06
Outdoor Facade Pole 6W/3000K SST S IP44	4058075075115	150 x 102 x 135	6	350	60	3000K	44	06

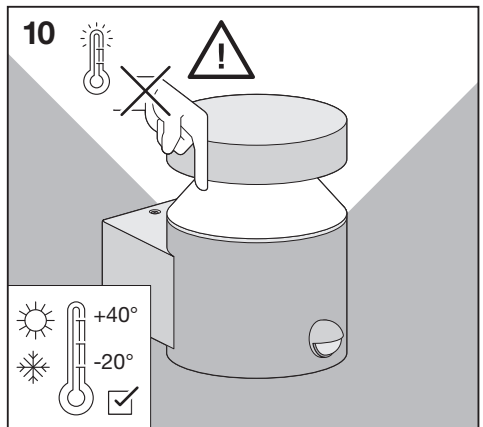
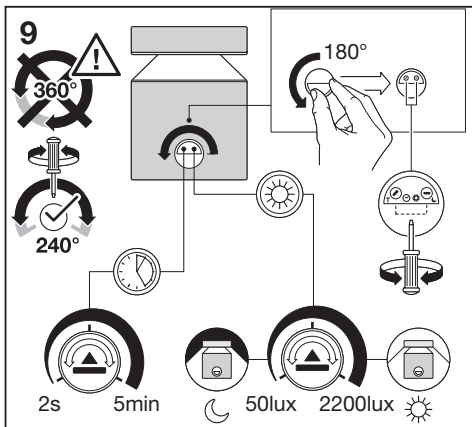
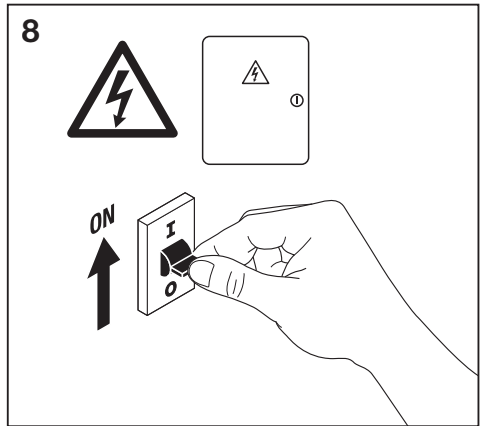
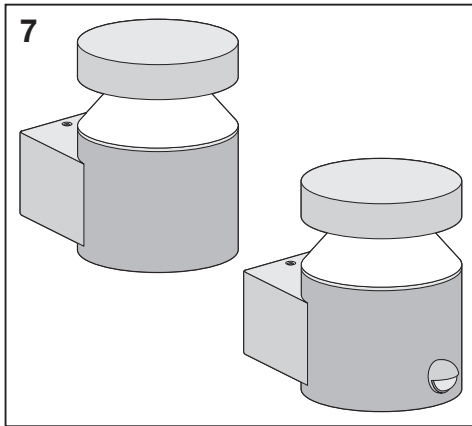
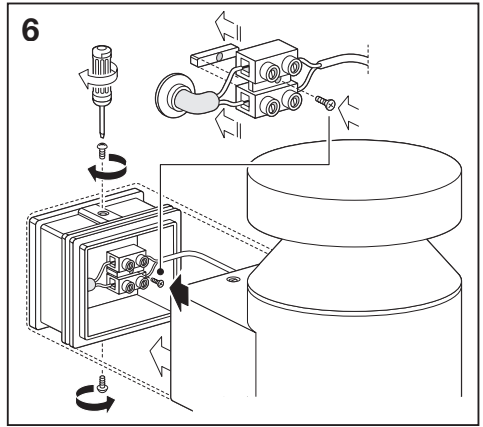
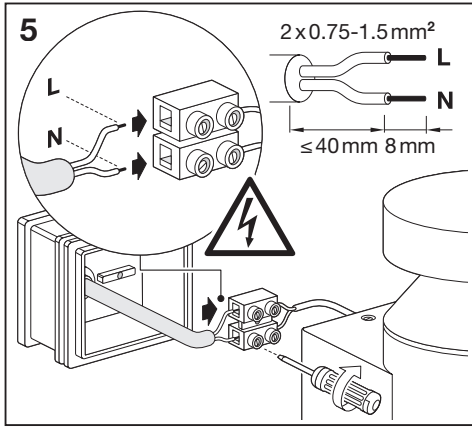
	EAN	∠	temp (°C)	PF	R _a	V _{AC}	Hz	⚖
Outdoor Facade Pole 6W/3000K SST IP44	4058075075092	160°	-20 ... 40	≥ 0.5	> 80	220-240V	50/60 Hz	0.5 kg
Outdoor Facade Pole 6W/3000K SST S IP44	4058075075115	160°	-20 ... 40	≥ 0.5	> 80	220-240V	50/60 Hz	0.5 kg

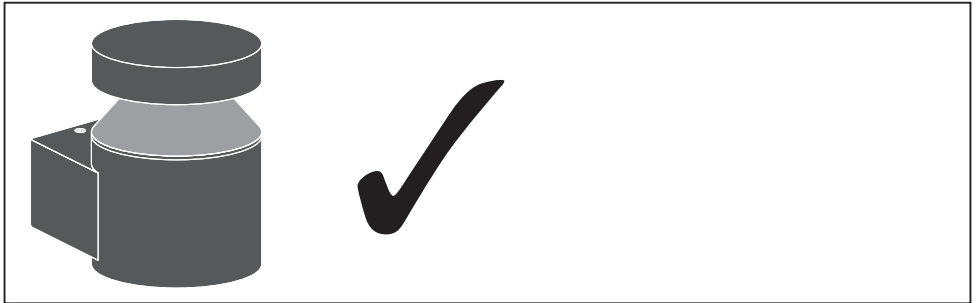
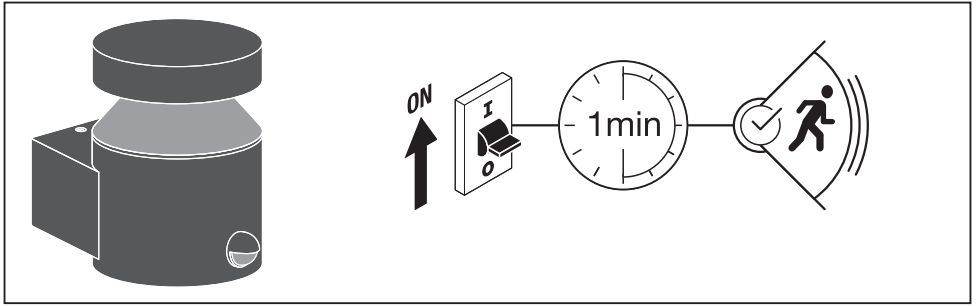


Outdoor Facade Pole / Outdoor Facade Pole Sensor

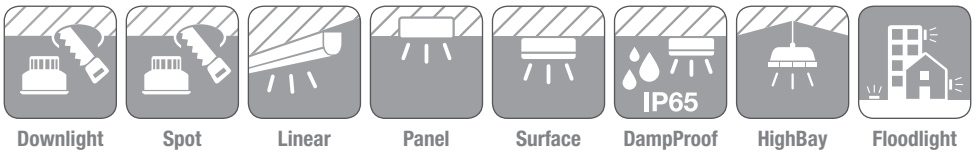


Outdoor Facade Pole / Outdoor Facade Pole Sensor





www.luminaires.ledvance.com



Downlight

Spot

Linear

Panel

Surface

DampProof
IP65

HighBay

Floodlight



C10449057
G11027976
25.10.17

LEDVANCE GmbH
Steinerne Furt 62
86167 Augsburg
Germany
www.ledvance.com