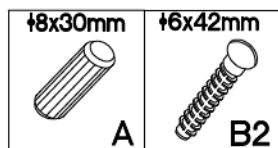
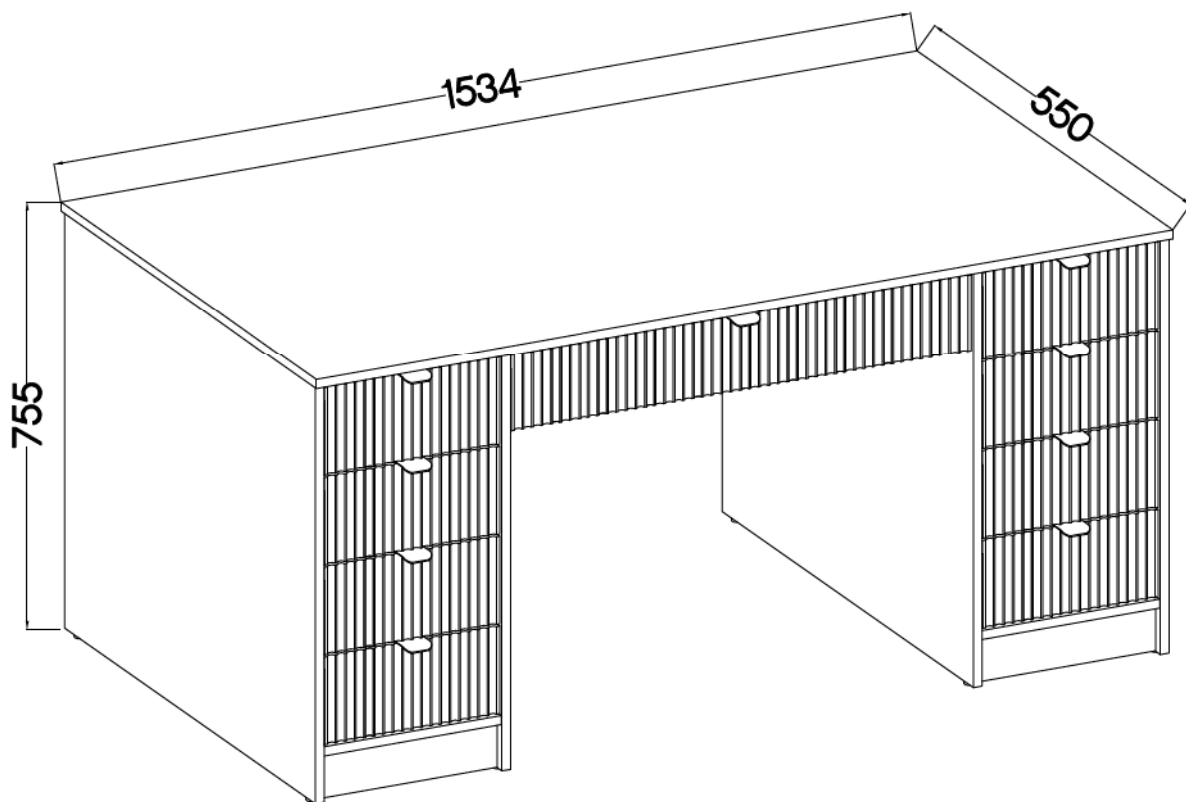


90 min

TIRENO BIS II



A

B2

56

18



C

24



C5

18



D9

42



E

8



E2

2



F4

8



I4

9



L

20



M2

36



S

9



U1

18

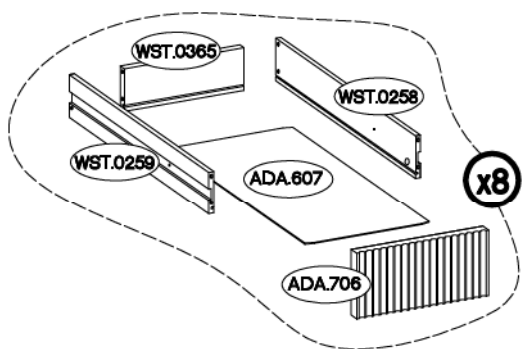
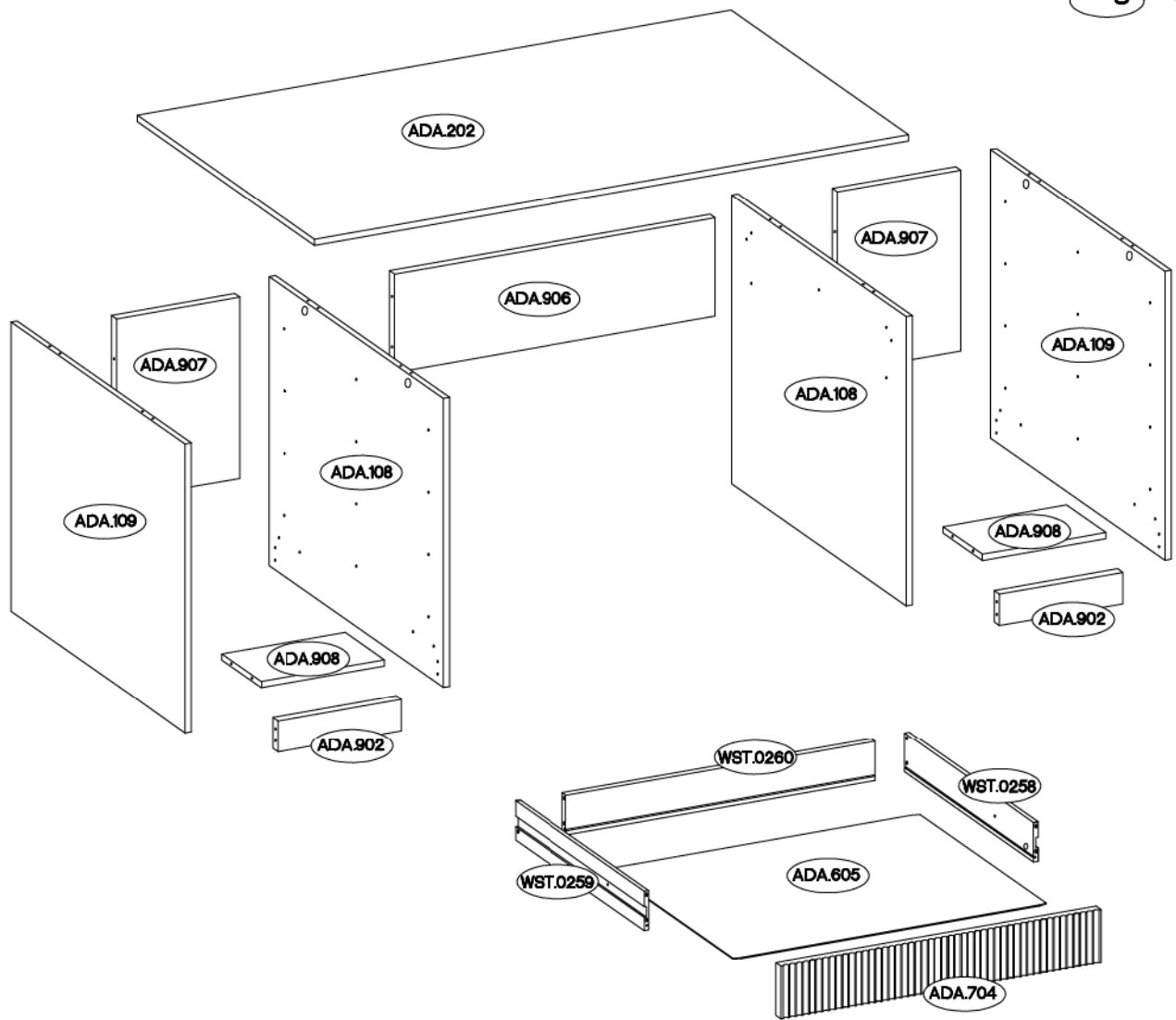
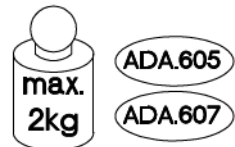
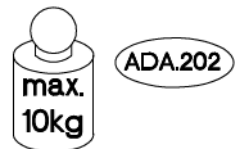
ISM-ADA-008

Desk and dressing table Tireno Bis
Video Assembling Instruction

Schreibtisch und Schminktisch Tireno Bis
Video Montageanleitung



Biurko i toaletka Tireno Bis
Video Instrukcja montażu

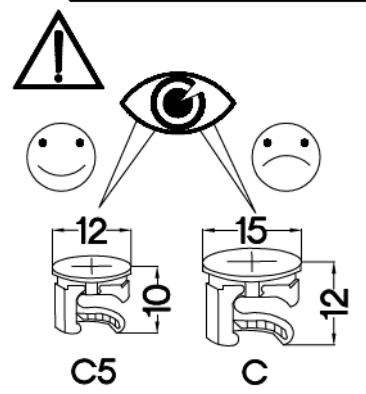
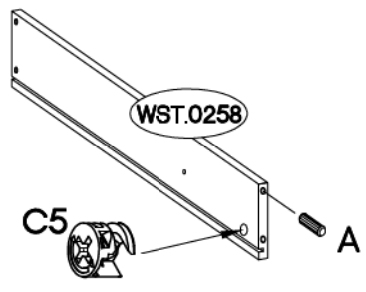
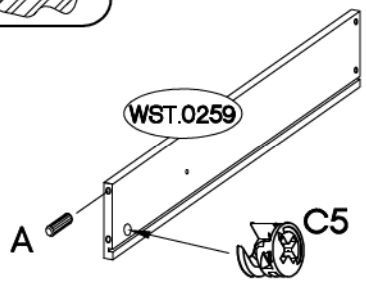
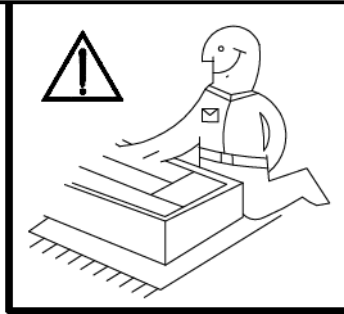
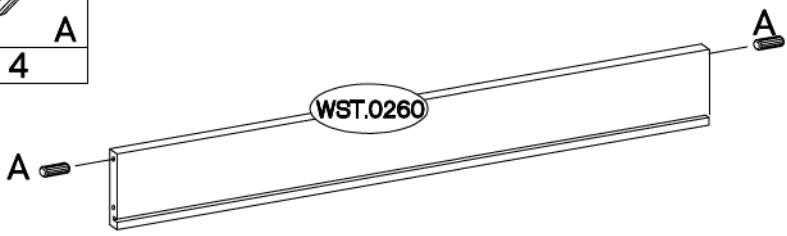
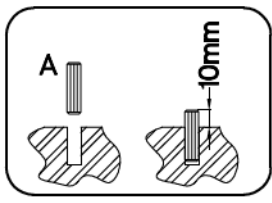





Colli	Ersatzteil Nummer	Dimension
Colli 1/2	ADA.108 x2	734x540x16
	ADA.109 x2	734x540x16
	ADA.605	807x397x2,5
	ADA.706 x8	154x314x16
	ADA.704	134x825x16
	ADA.906	829x250x16
	ADA.907 x2	318x460x16
	ADA.902 x2	318x80x16
Colli 2/2	ADA.908 x2	318x122x16
	ADA.202	1534x550x16
	ADA.607 x8	296x397x2,5
	WST.0258 x9	400x100x12
	WST.0259 x9	400x100x12
	WST.0260	796x100x12

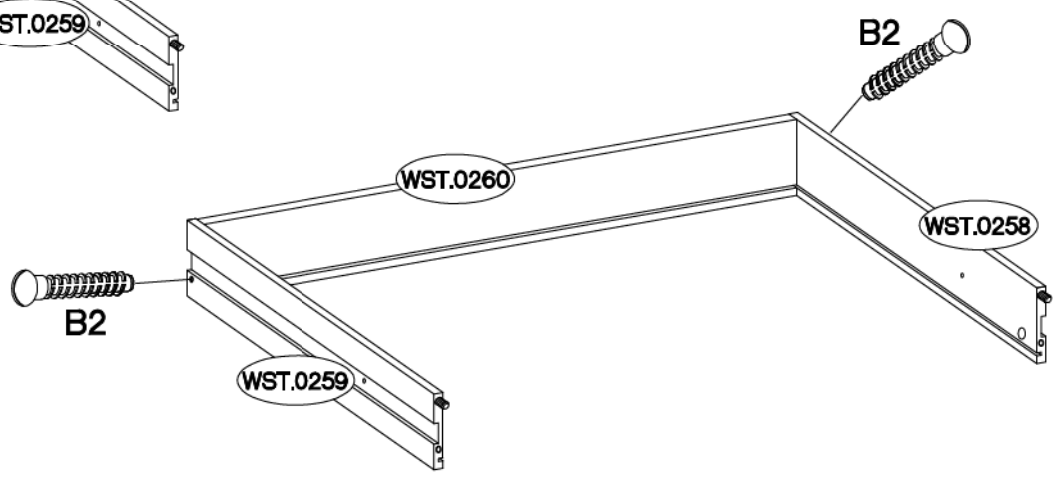
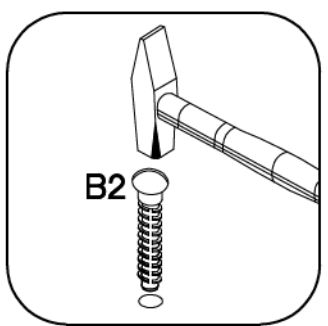
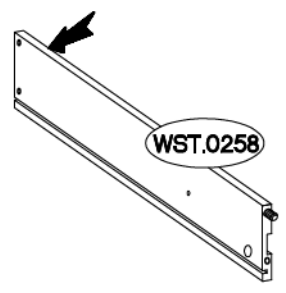
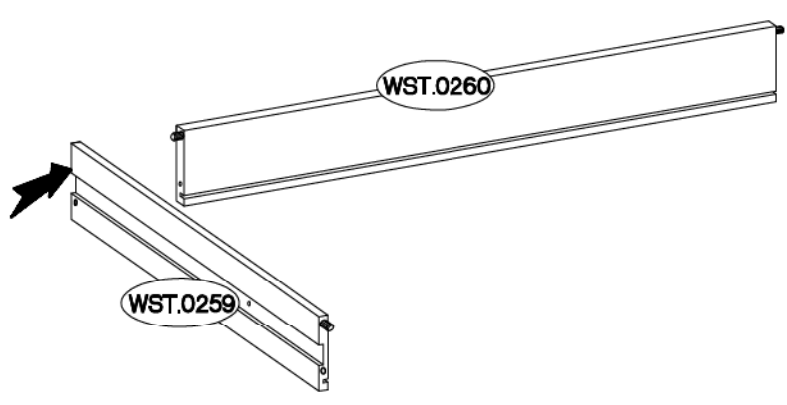
1

$\pm 2/10\text{mm}$  C5 2	$+8 \times 30\text{mm}$  A 4
---	--



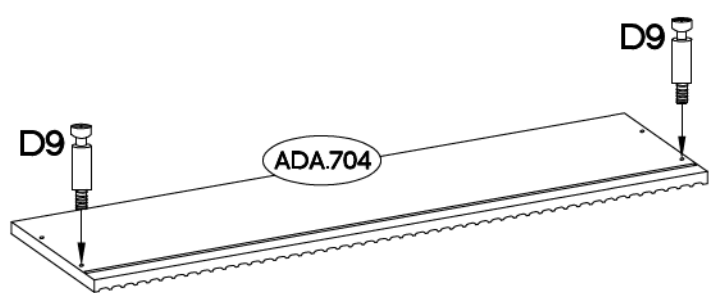
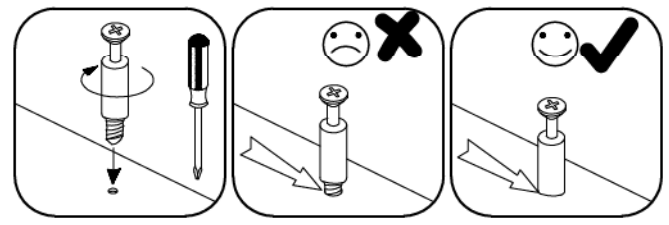
2

$\pm 6 \times 42\text{mm}$  B2 2

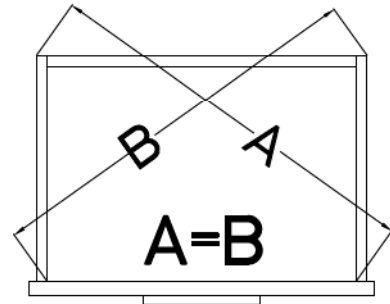
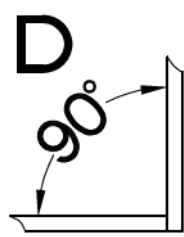
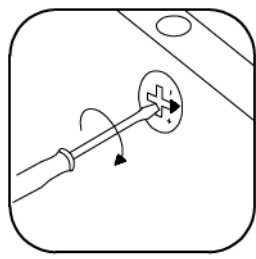
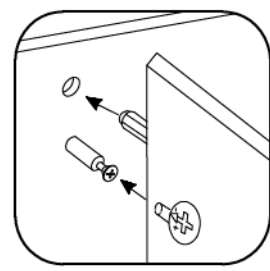
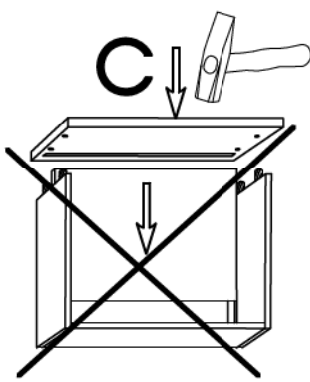
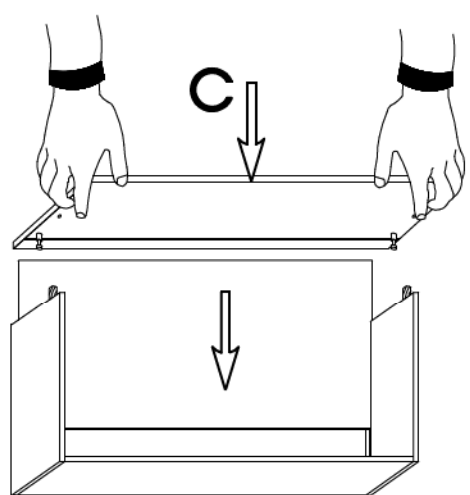
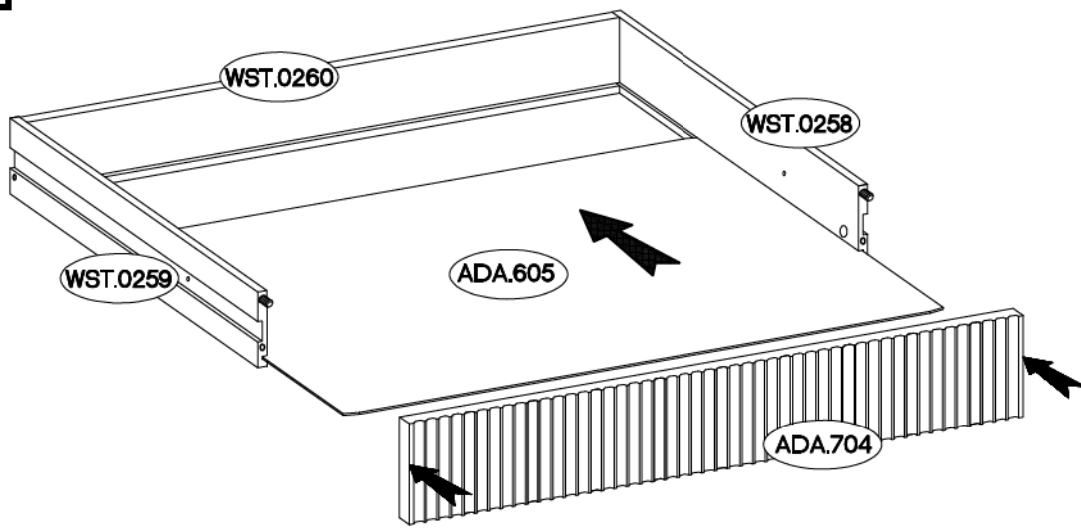
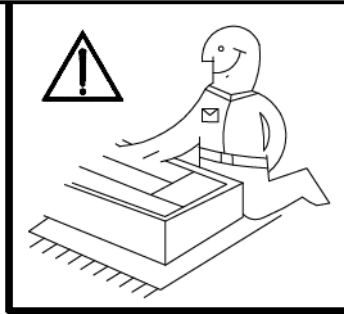


3

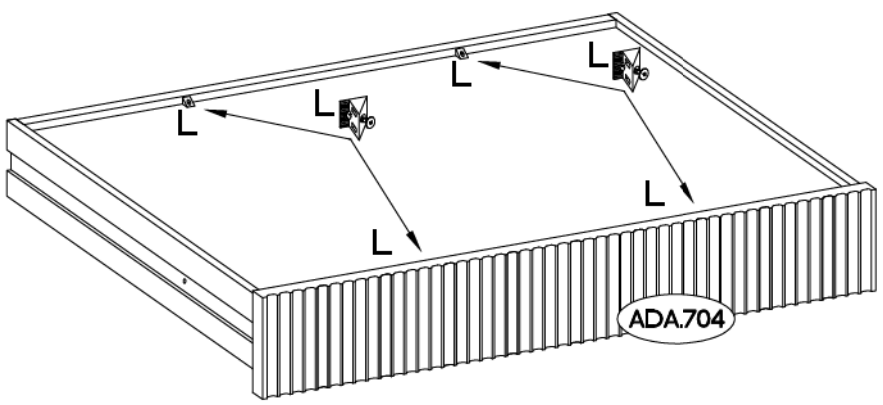
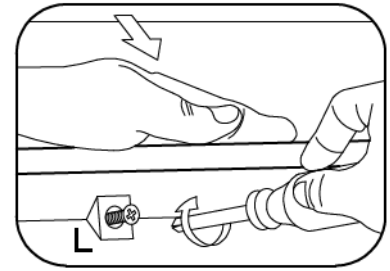
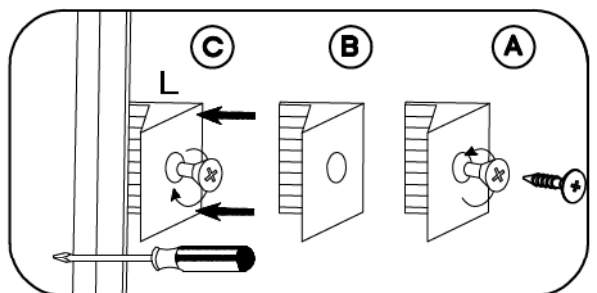
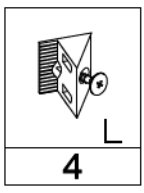
$L=20/8\text{mm}$  D9 2
--





4

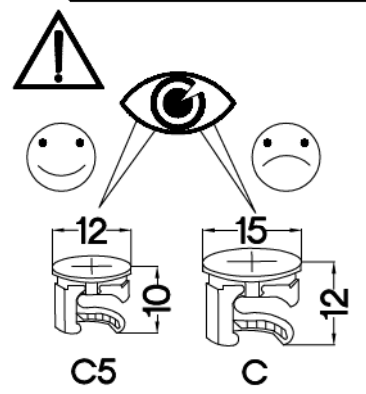
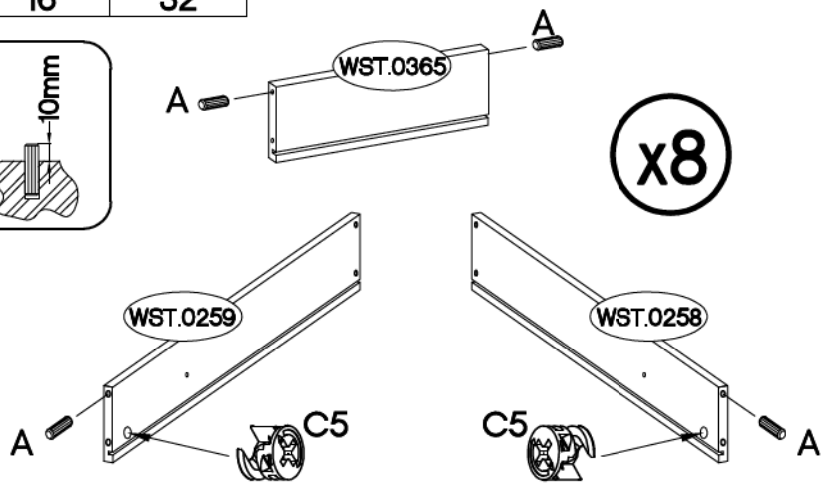
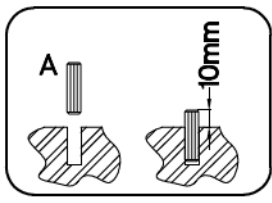
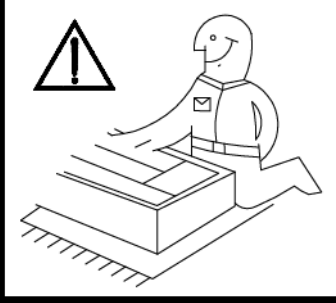


5




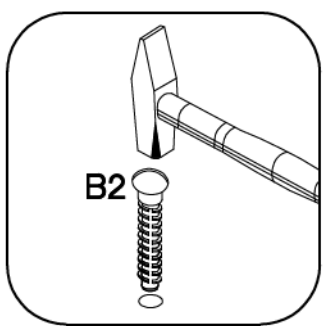
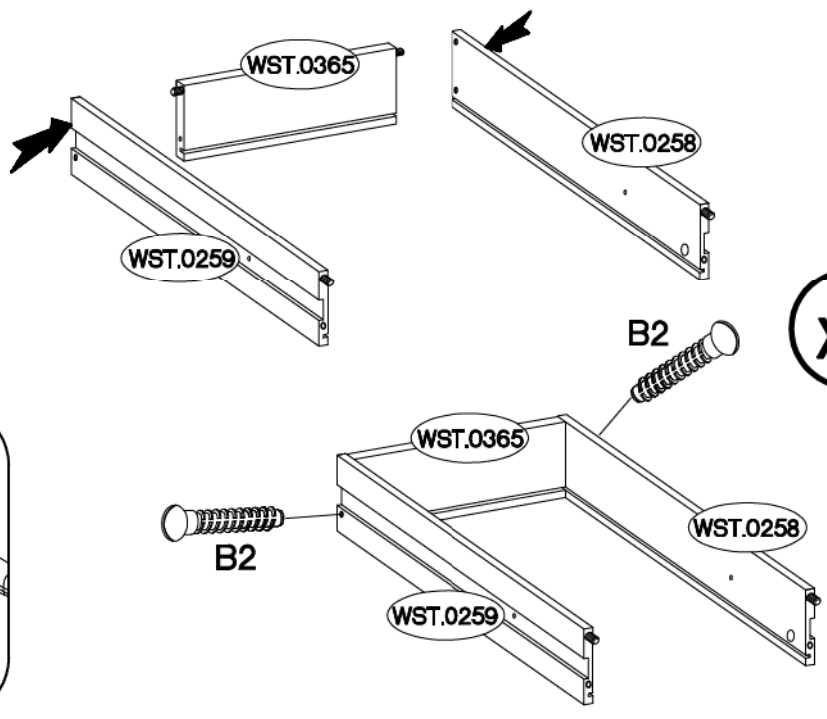
6

#2/10mm  C5 16	+8x30mm  A 32
---	--




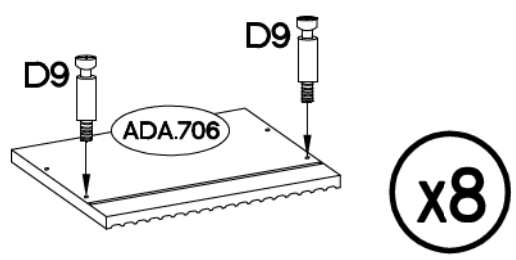
7

+6x42mm  B2 16
--

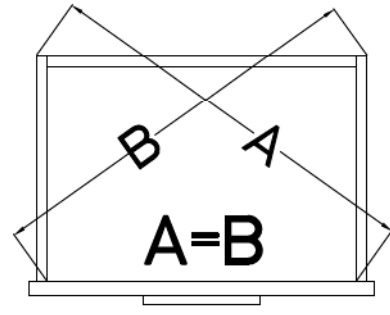
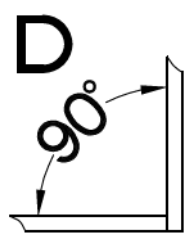
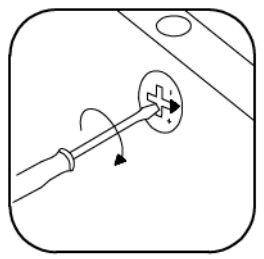
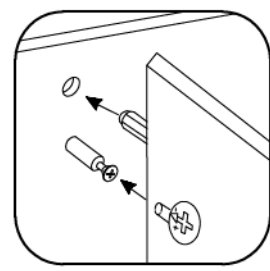
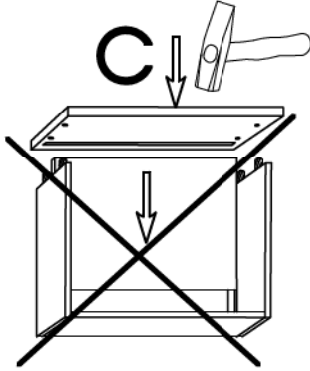
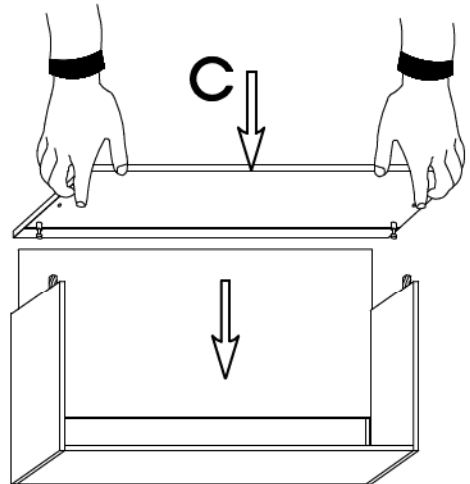
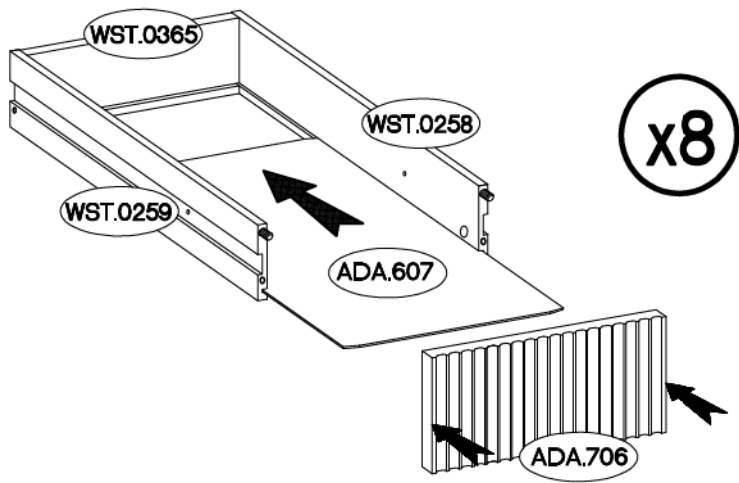
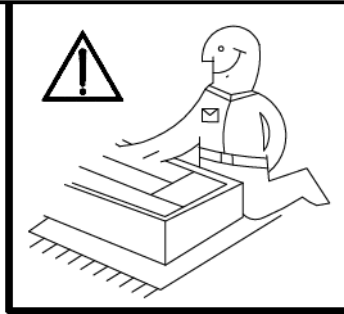


8

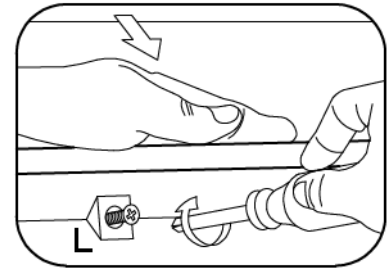
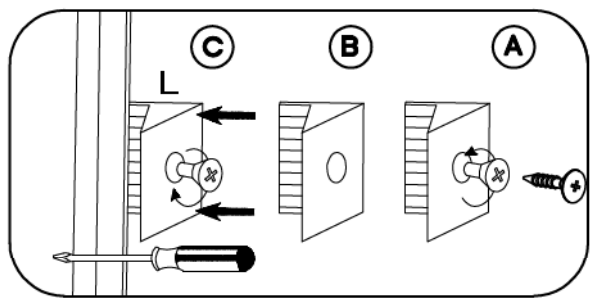
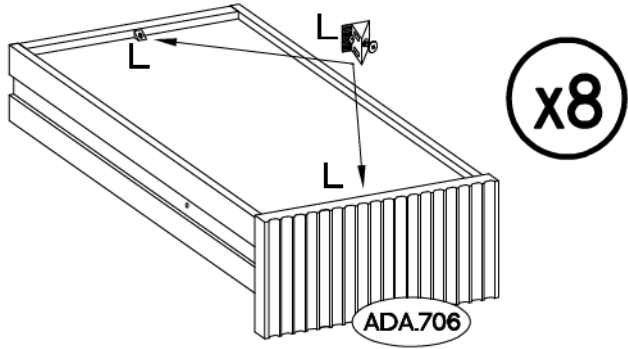
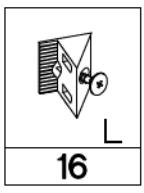
L=20/8mm  D9 16









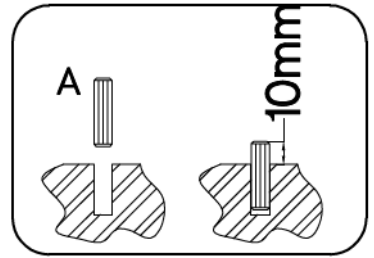
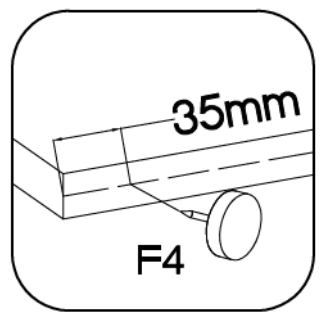
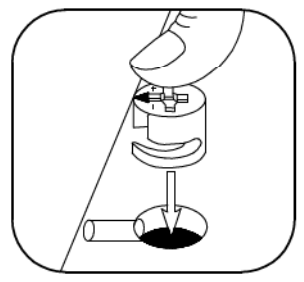
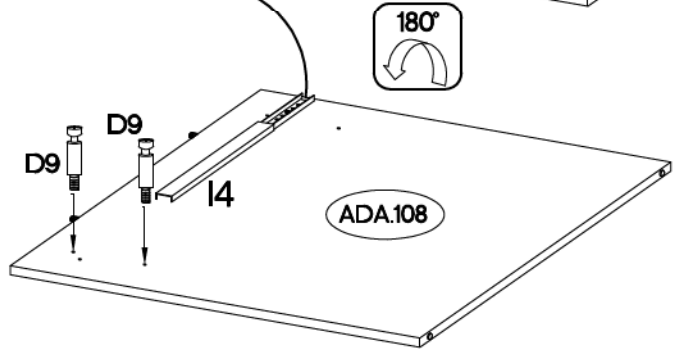
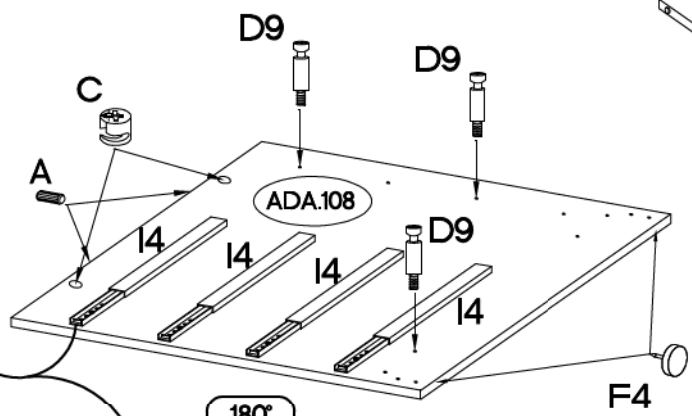
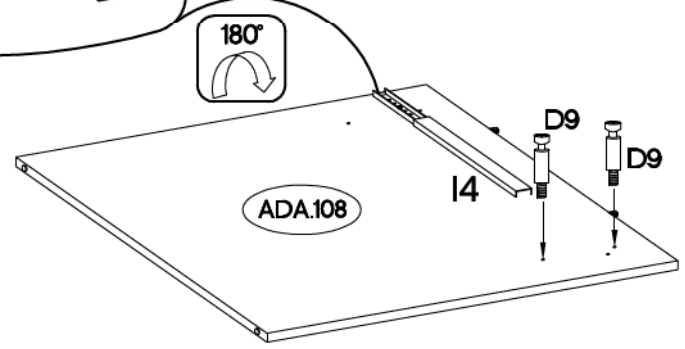
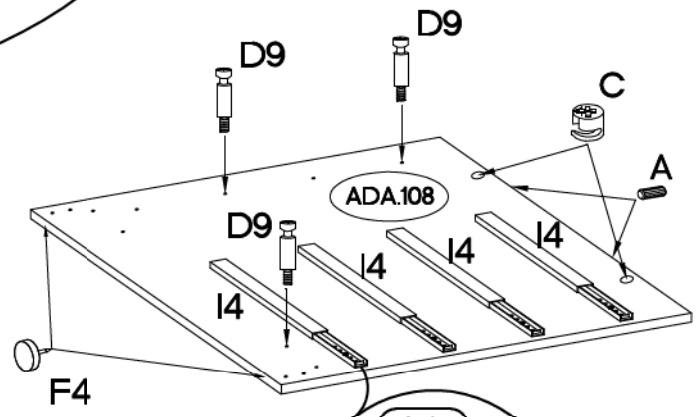
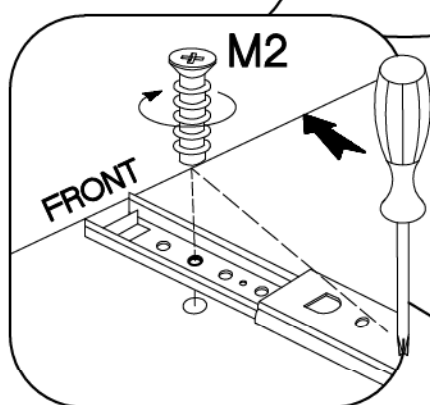
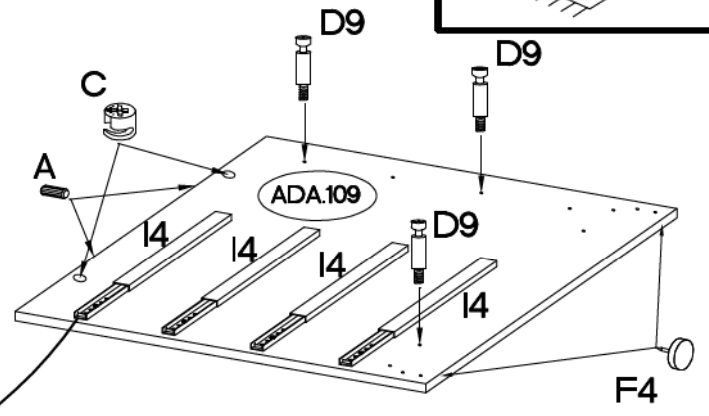
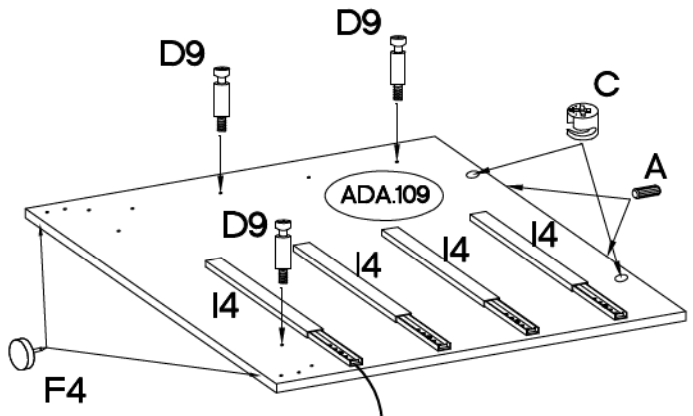
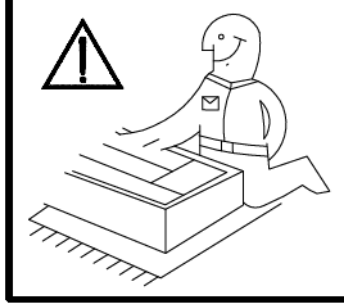
9






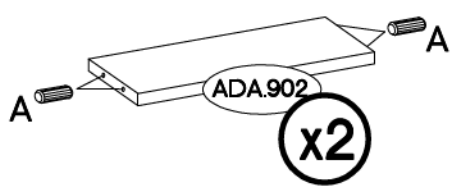
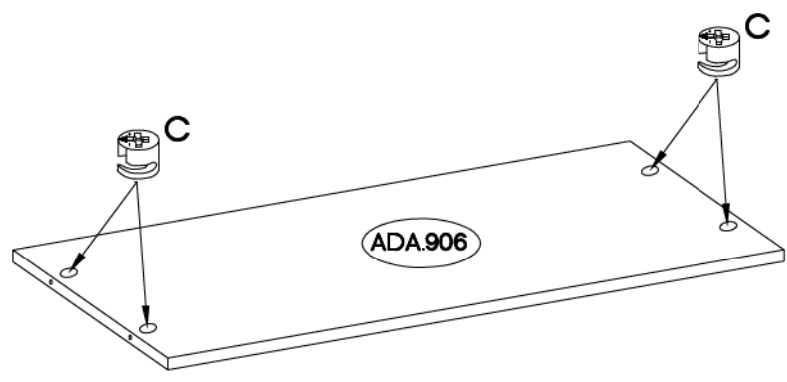
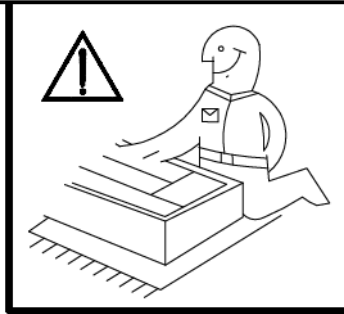
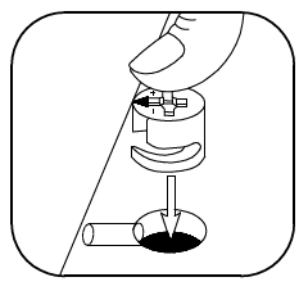
10



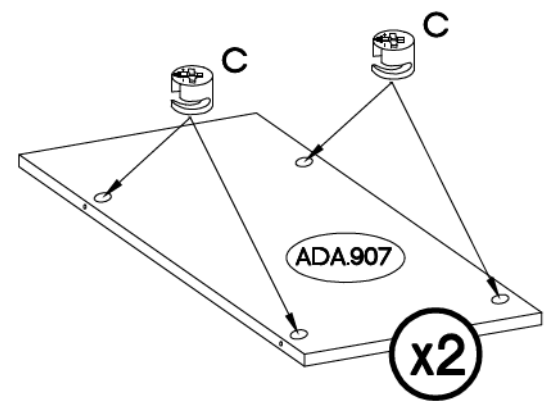
±8x30mm  A	±15/12mm  C	L-20/8mm  D9	±15x5mm  F4	27/310mm  I4	±6,3x13mm  M2
8	8	16	8	9	36



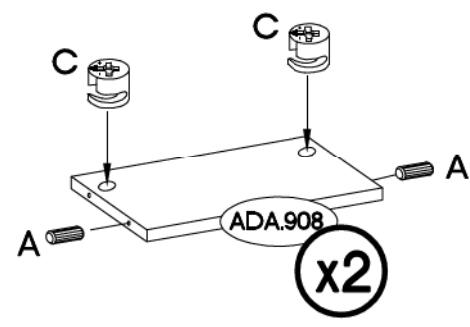
±8x30mm	±15/12mm	L-20/8mm
		
A	C	D9
12	16	8



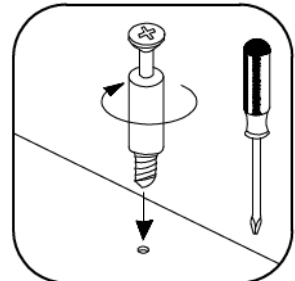
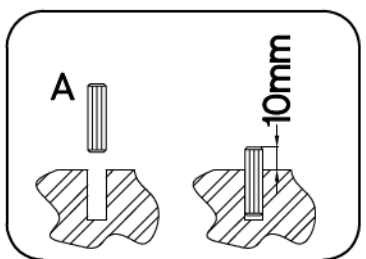
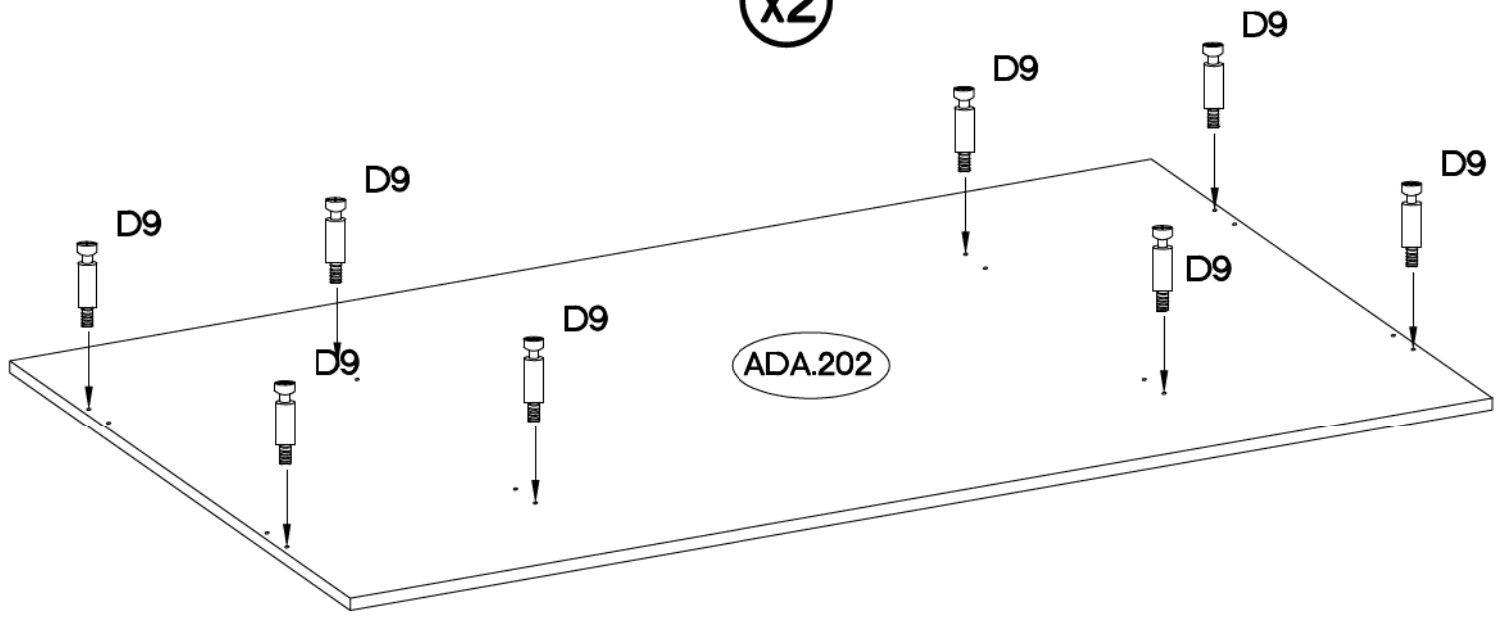
x2



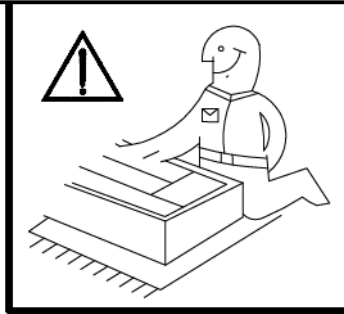
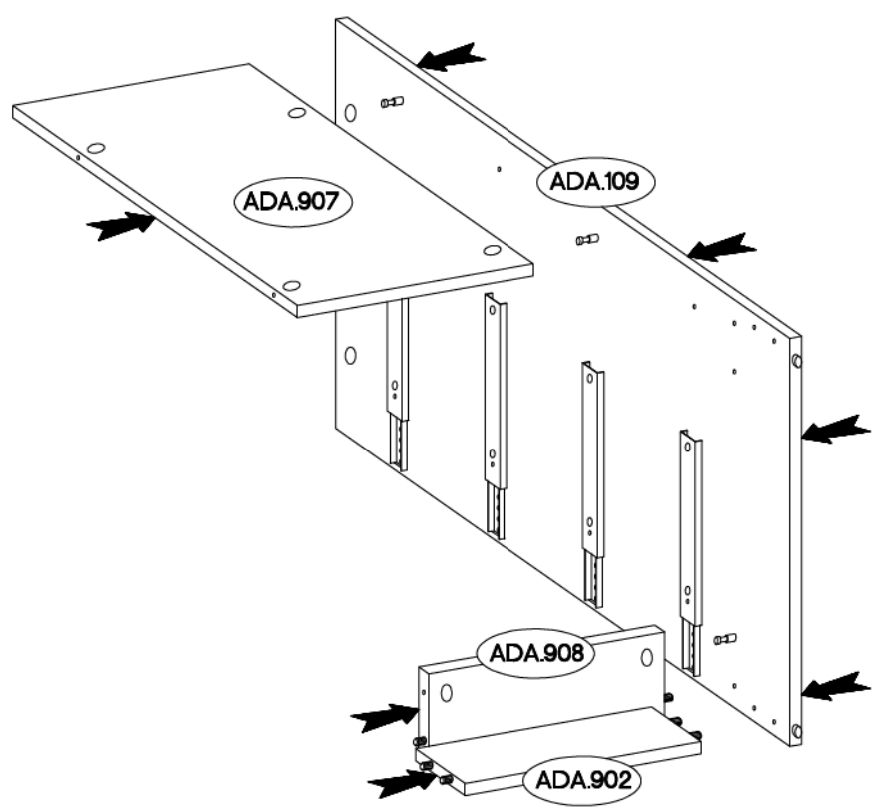
x2



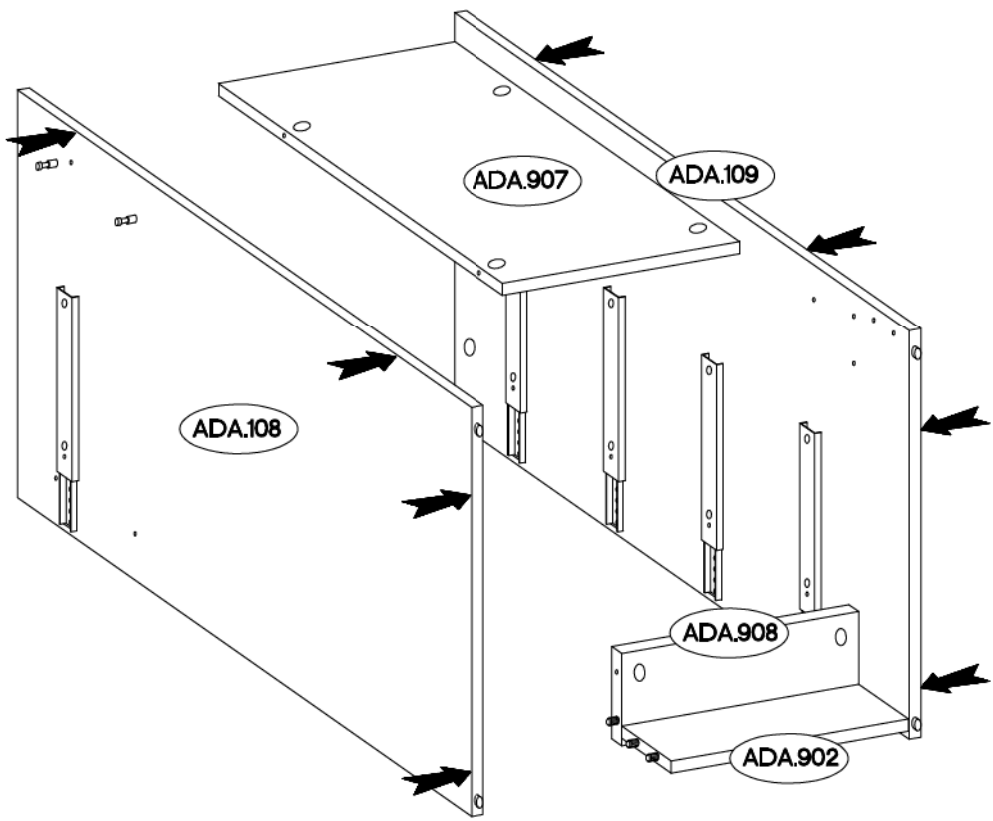
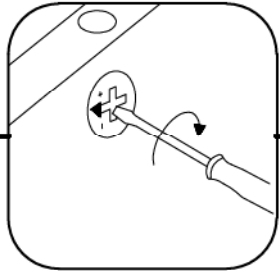
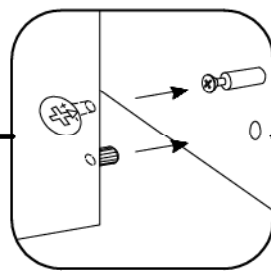
x2



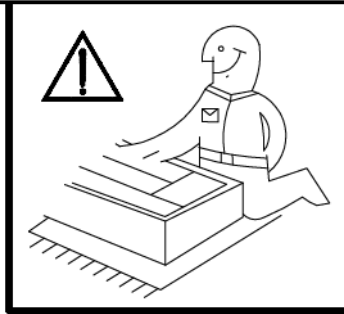
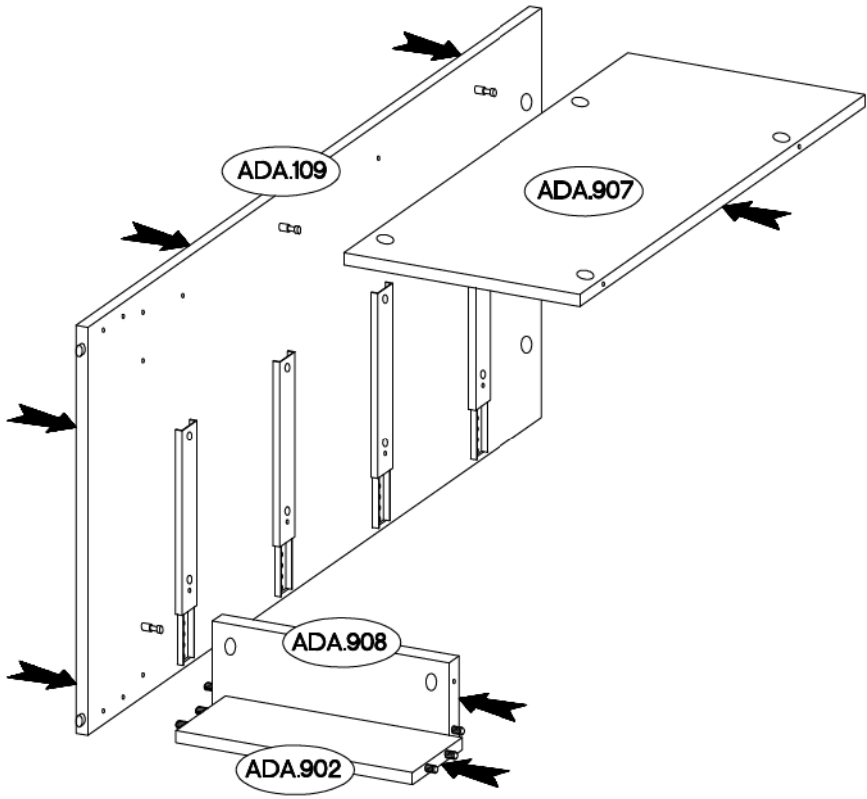
13



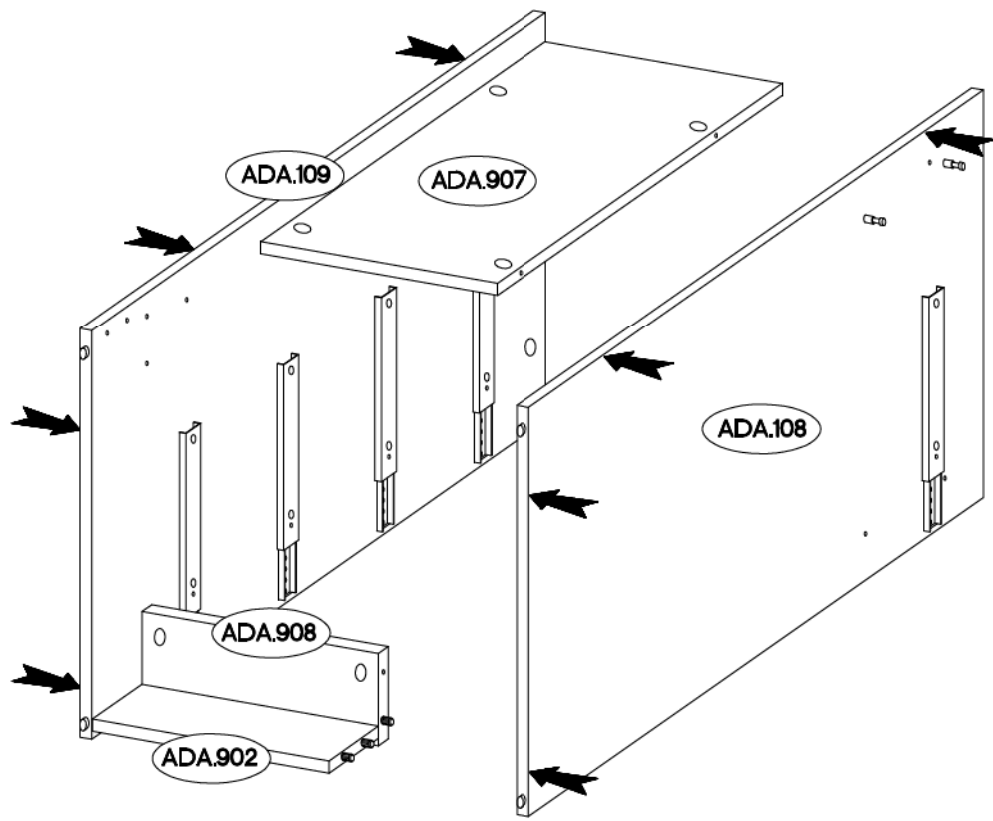
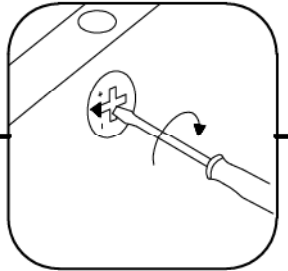
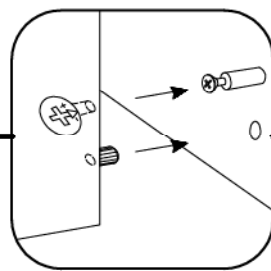
14



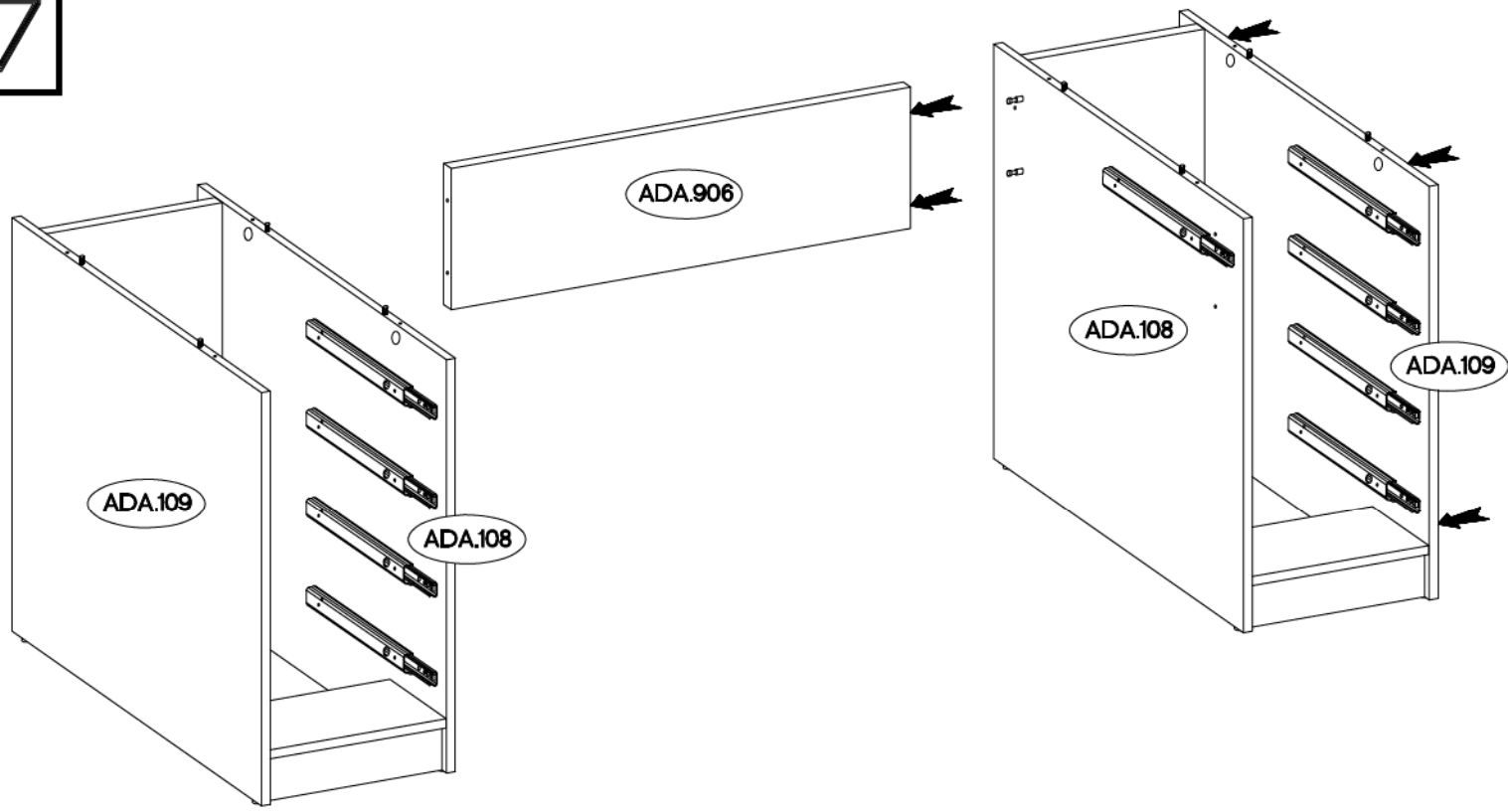
15



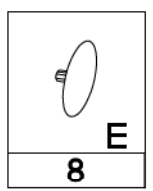
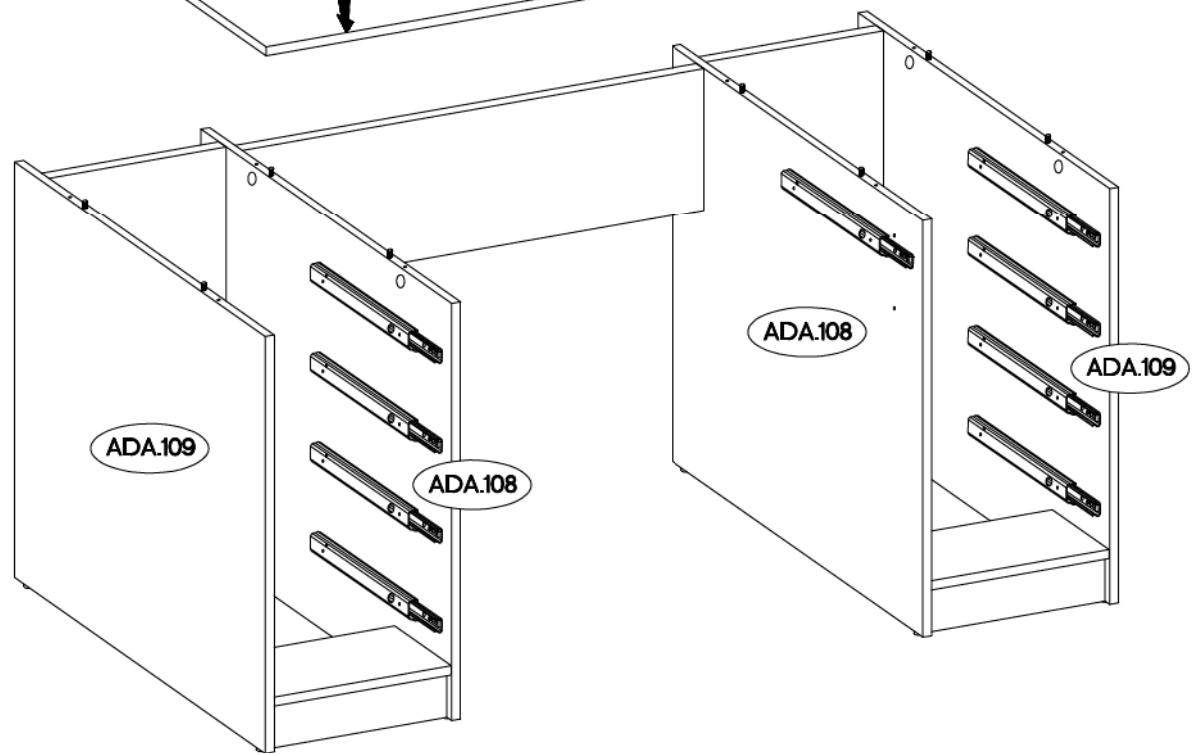
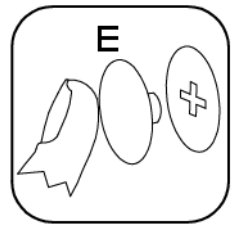
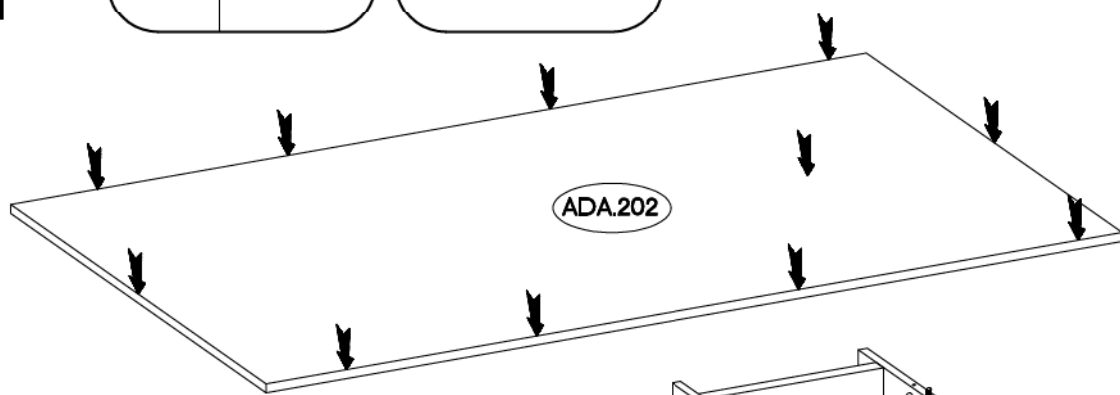
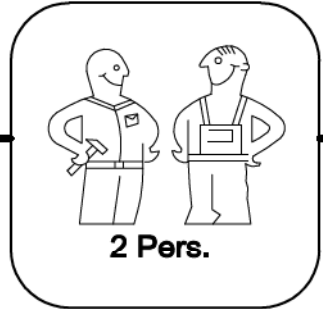
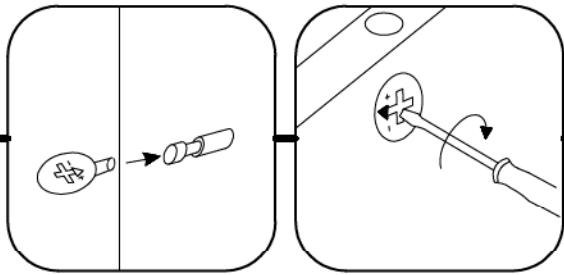
16






17



18



M4x9mm	±5	L=32mm
		
U1	E2	S
18	2	9

