



Paulmann

### Safety Instructions

1, 2, 3, 4, 5, 6, 7, 10, 12, 16, 17, 19, 20, 24, 28, 33, 34



31.08.2021



A++ - A

01.09.2021



F



www.paulmann.com/symbols

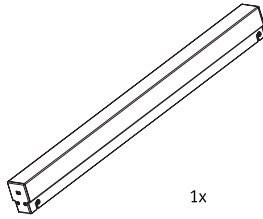
Paulmann Licht GmbH  
Quezinger Feld 2  
31832 Springe  
Germany



www.paulmann.com

Art.-Nr.: 789.48  
789.49  
930.14  
930.15

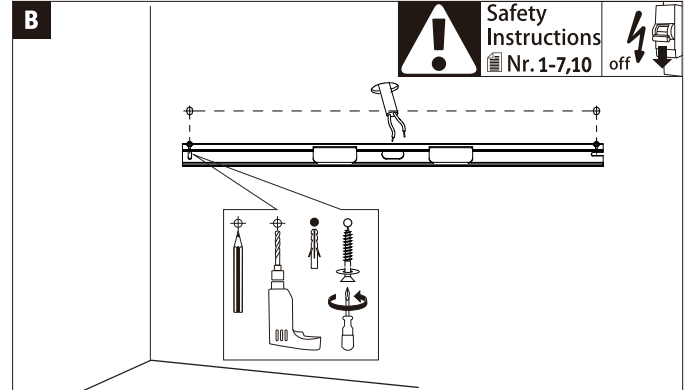
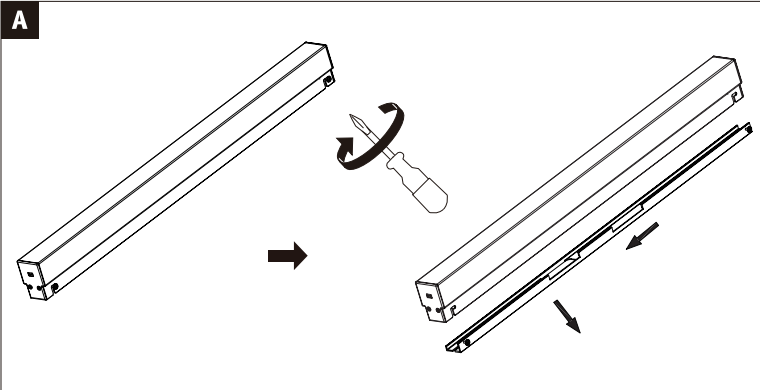
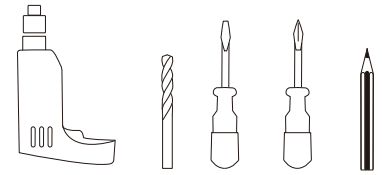
(+MA 326) PPP 07/22



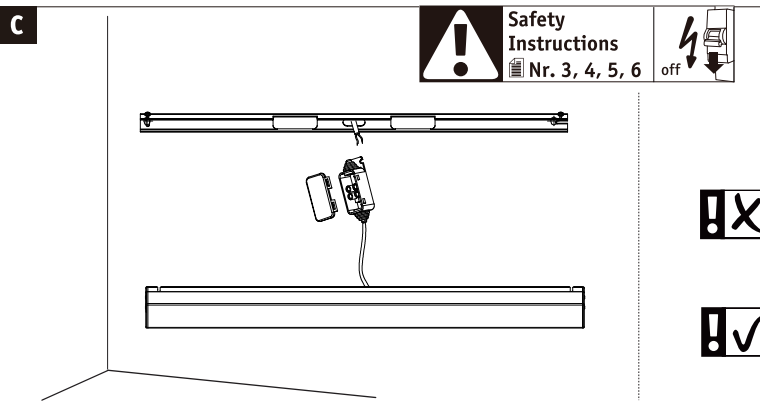
1x



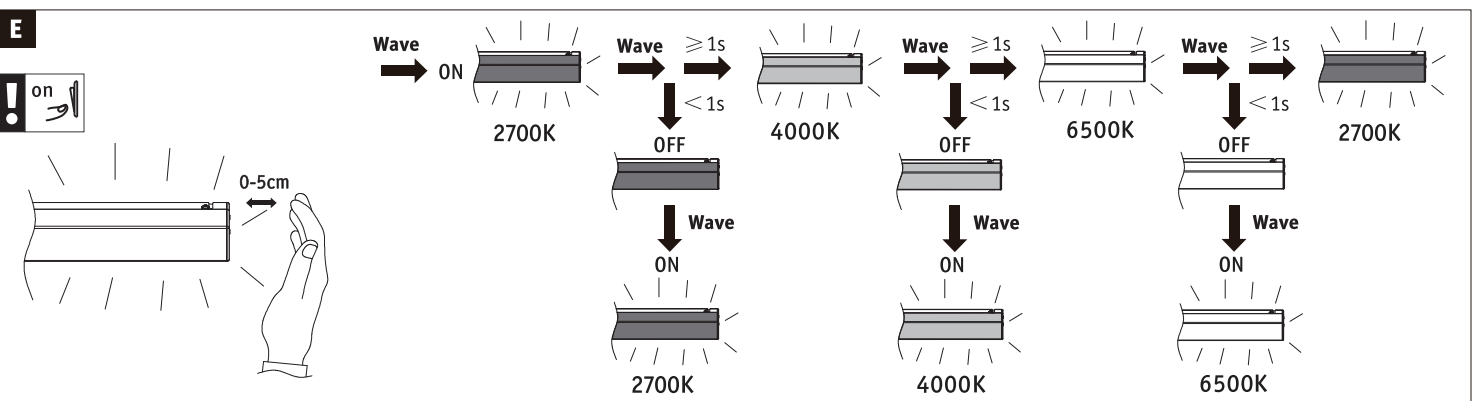
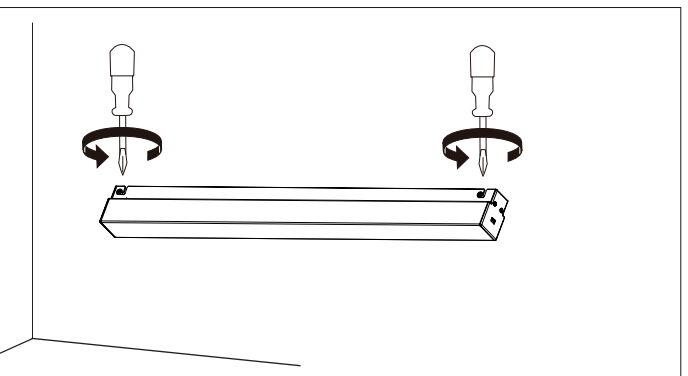
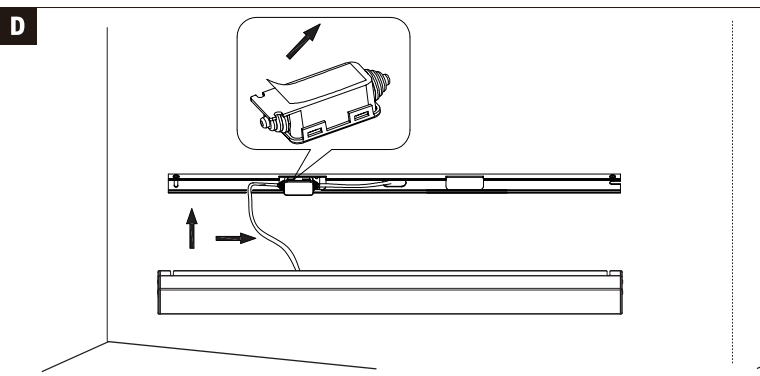
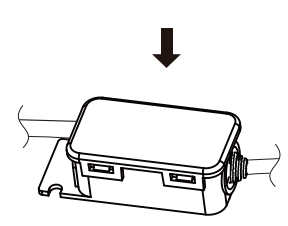
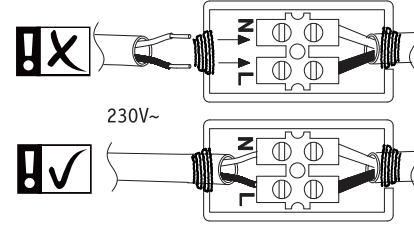
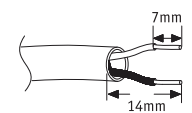
2x 2x



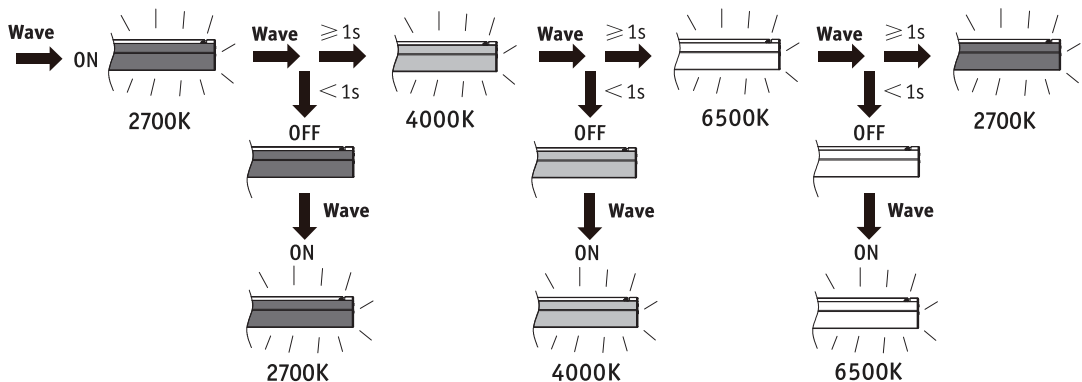
Safety Instructions  
Nr. 1-7,10



Safety Instructions  
Nr. 3, 4, 5, 6



on



0-5cm

