



Paulmann

Safety Instructions

1,2,3,4,5,6,7,10,12,13,16,19,
20,22,24,28,33,34



31.08.2021



A++ - A

01.09.2021



G



www.paulmann.com/symbols

Paulmann Licht GmbH
Quezinger Feld 2
31832 Springe
Germany

www.paulmann.com

Art.-Nr.: 930.77

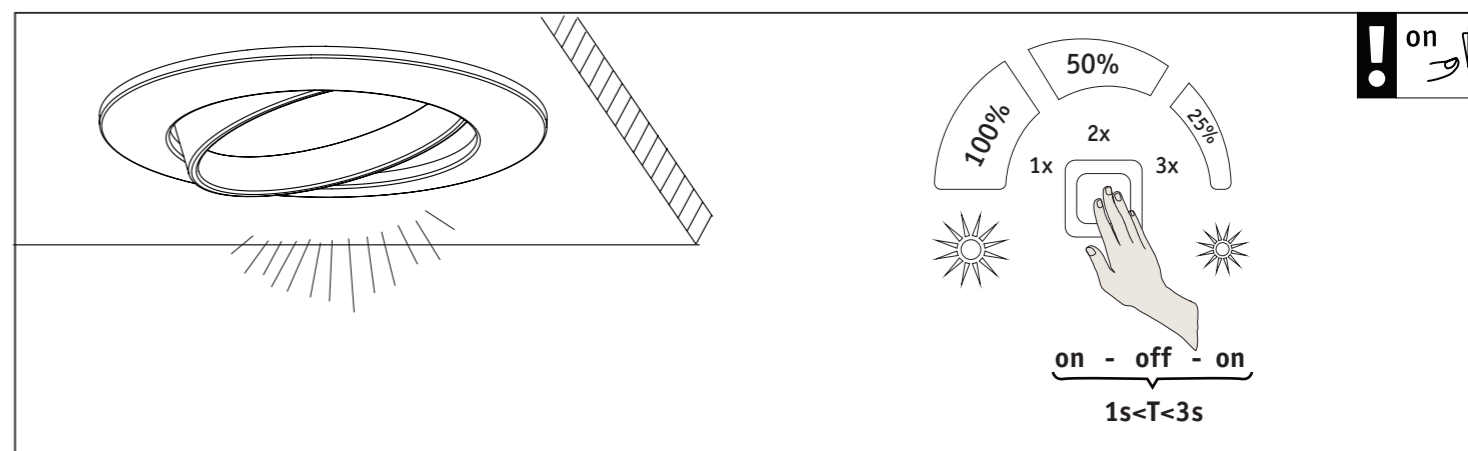
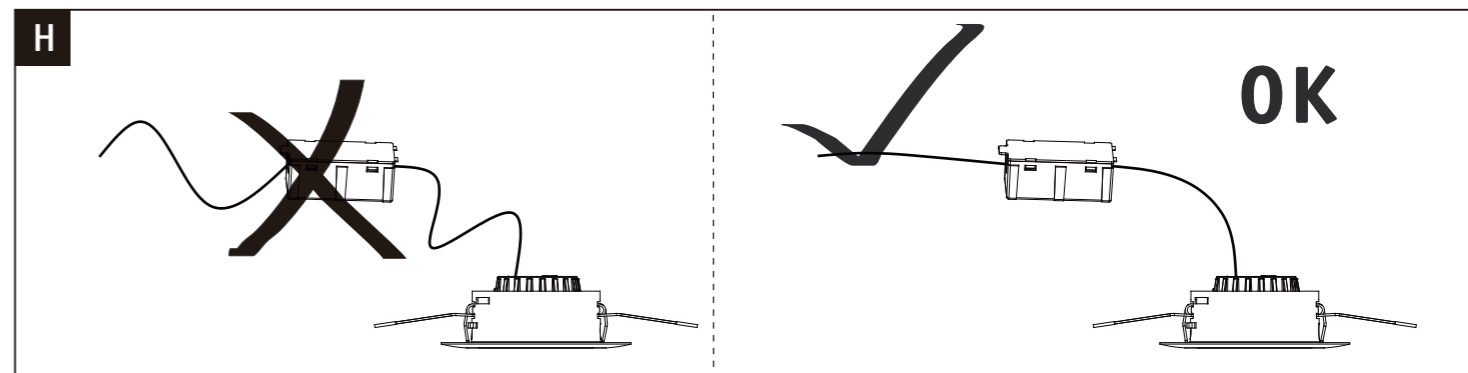
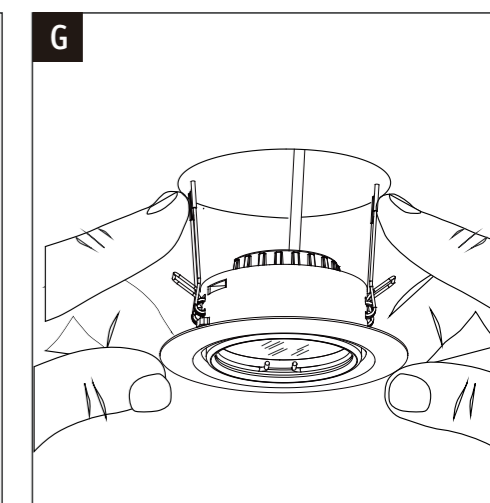
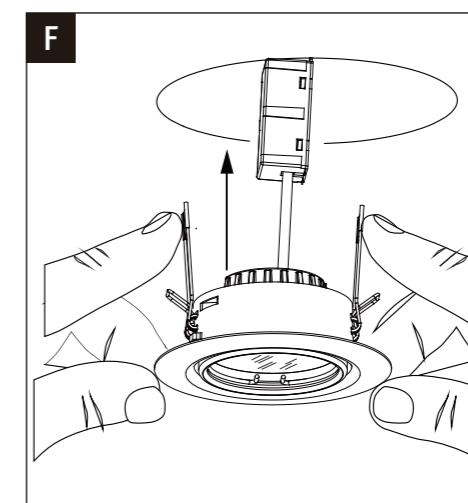
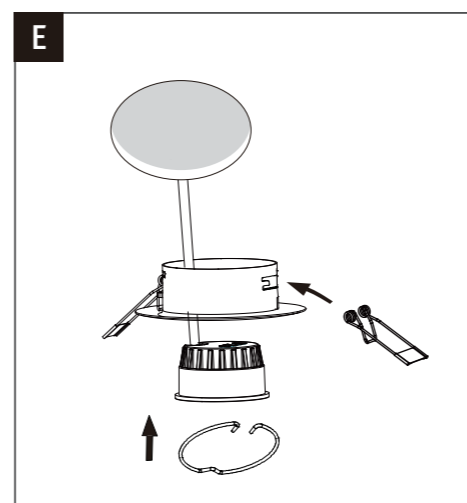
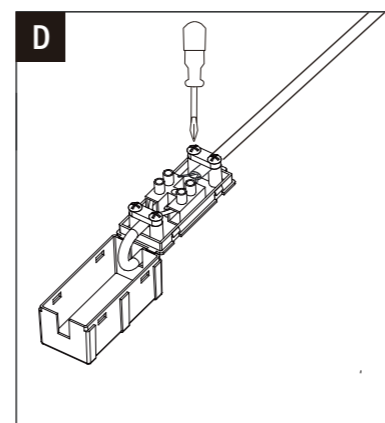
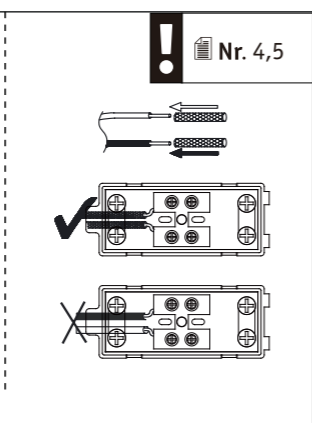
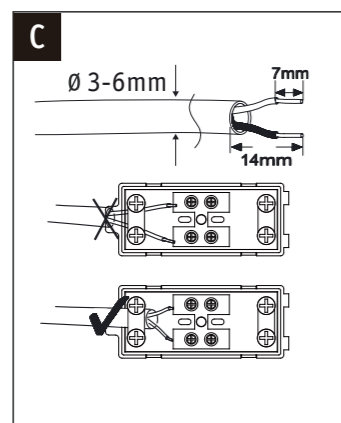
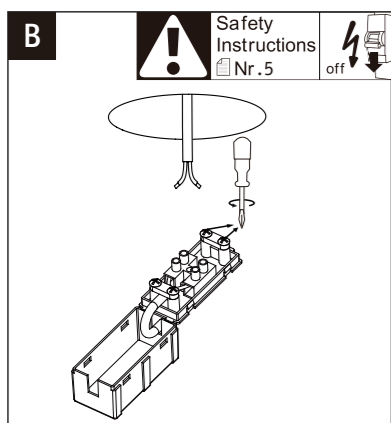
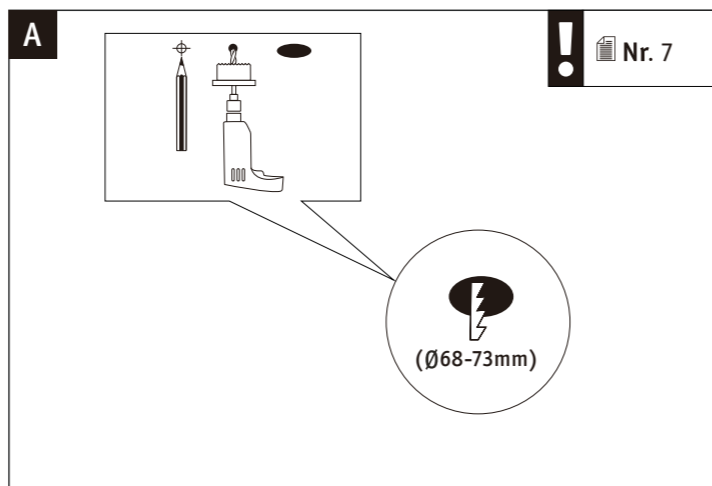
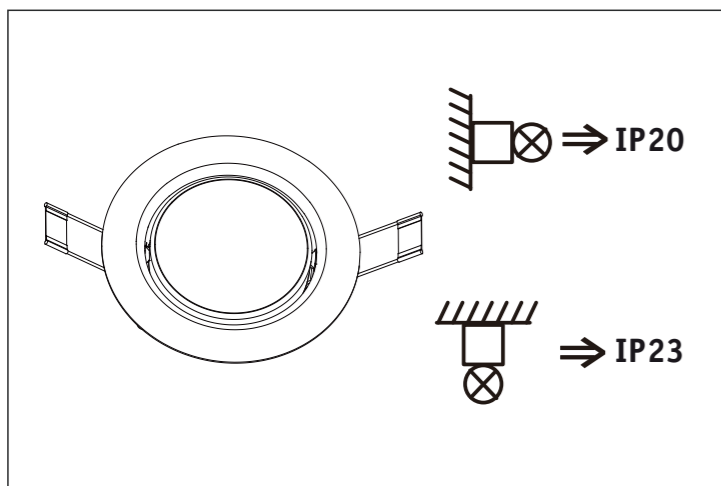
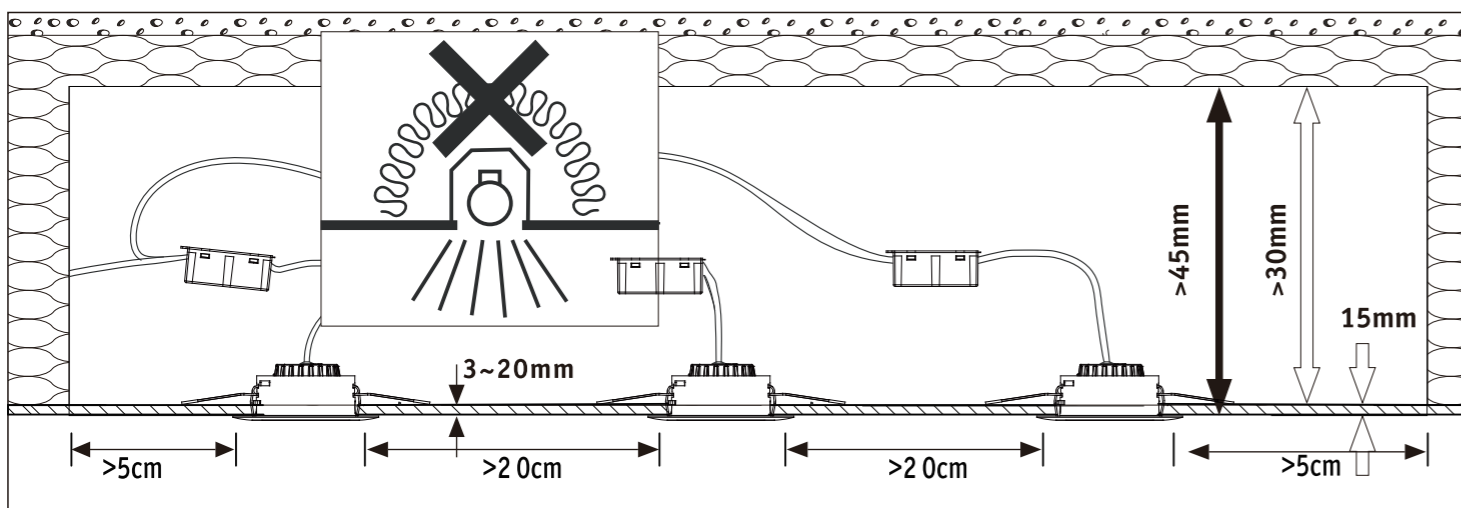


(+MA326) PSPU 07/22



incl.

1x



370lm
5W
230V

warm white
3000K

CRI/Ra ≥ 83

ON OFF ≥50.000

Lumen 60% <2 s

dimable

~15x 1.000h

Ø 51 mm

CE UK CA 21 PAP

390093077

