

## Safety Instructions

1, 2, 3, 4, 5, 6, 7, 8, 12, 15, 16, 17, 18,  
19, 20, 24, 28, 29, 30, 31, 32, 33, 34



**Info**

[www.paulmann.com](http://www.paulmann.com)

Paulmann Licht GmbH  
Quezinger Feld 2  
31832 Springe  
Germany

[www.paulmann.com](http://www.paulmann.com)

Art.-Nr.: 708.64  
708.65  
708.68  
708.69  
708.72

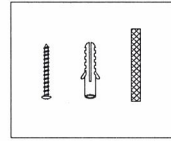
(+MA 326)PUP 06/18



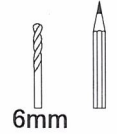
708.64  
708.68



708.65  
708.69  
708.72



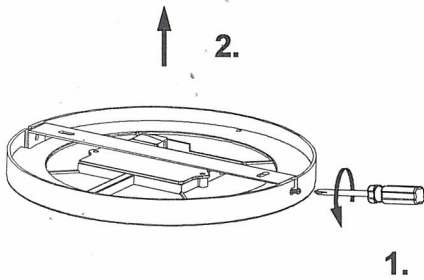
incl.



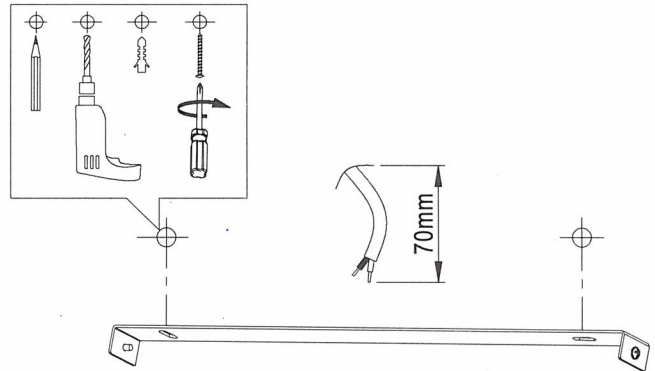
6mm



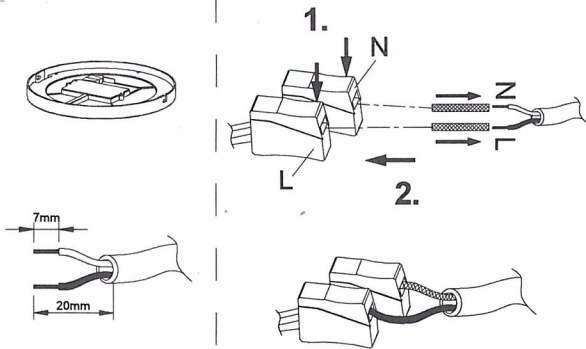
**A**



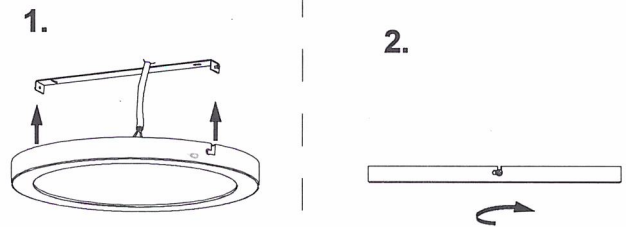
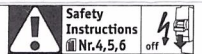
**B**



**C**



**D**



**E**

