

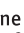


Safety Instructions



0,1,2,4,6,7,8,9,11,
15,20,22,26,27.



Info Hotline 

+49 (0) 5041 998 389

Mon. - Do. 7⁰⁰ - 20⁰⁰

Fr. 7⁰⁰ - 17⁰⁰

Paulmann Licht GmbH
31832 Springe / Germany
www.paulmann.com

Art.-Nr.:

968.72

976.57

976.87

(+MA 173)

PBO 04/11

incl. 

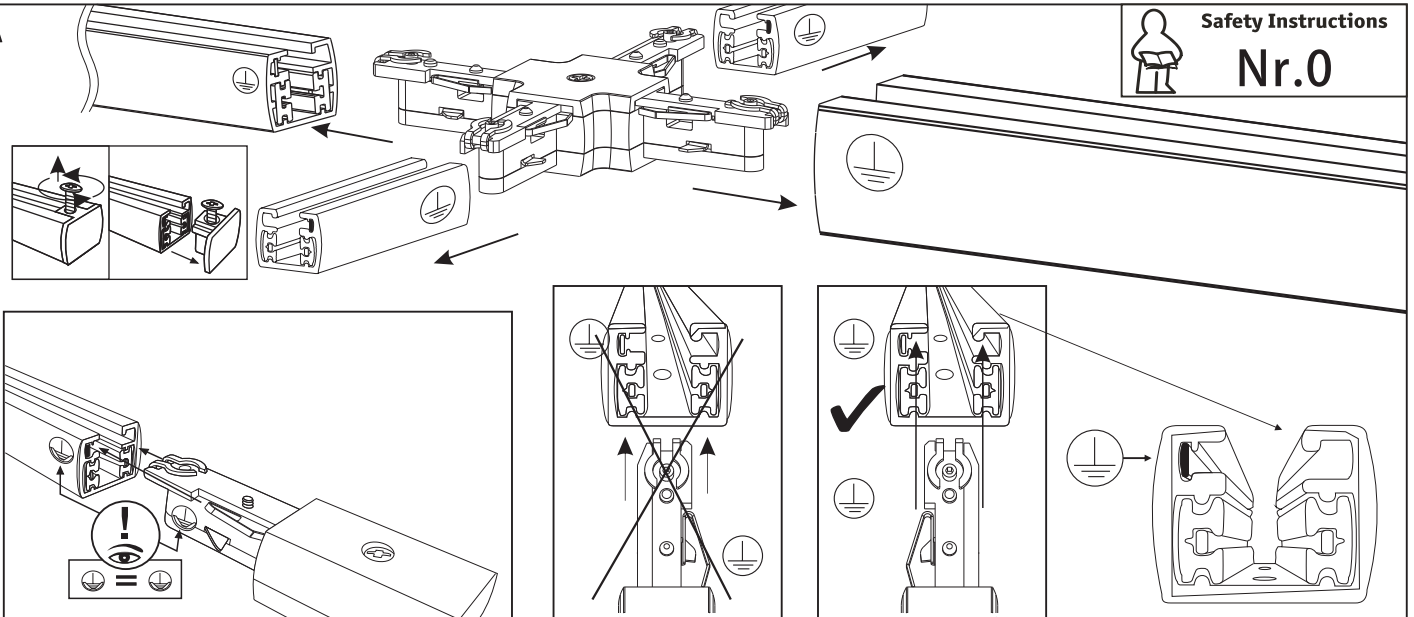
1x 

A



Safety Instructions

Nr.0



B

