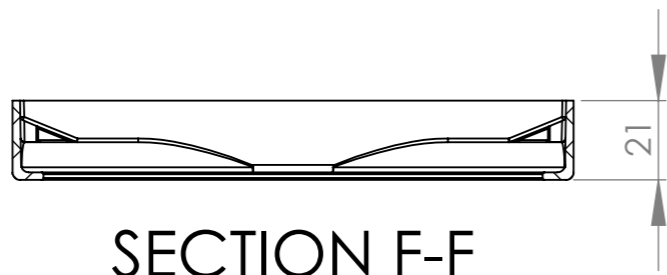
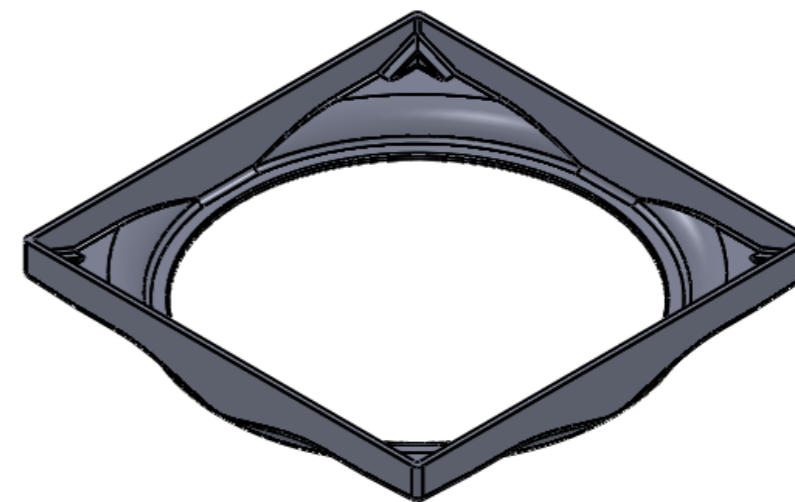
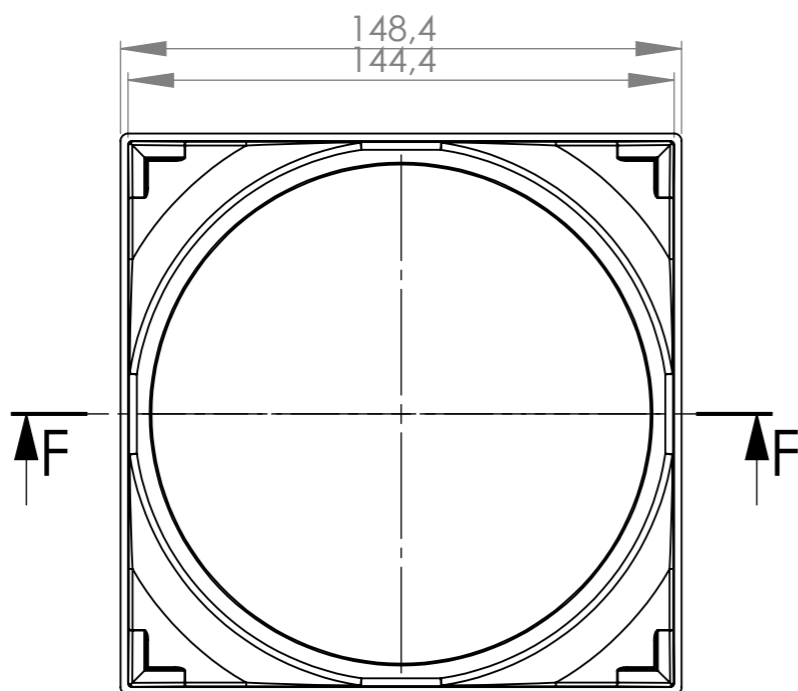


This document must not be copied without our written permission, and the contents thereof must not be imported to a third party nor be used for any unauthorized purpose. Contravention will be prosecuted. Purus AB

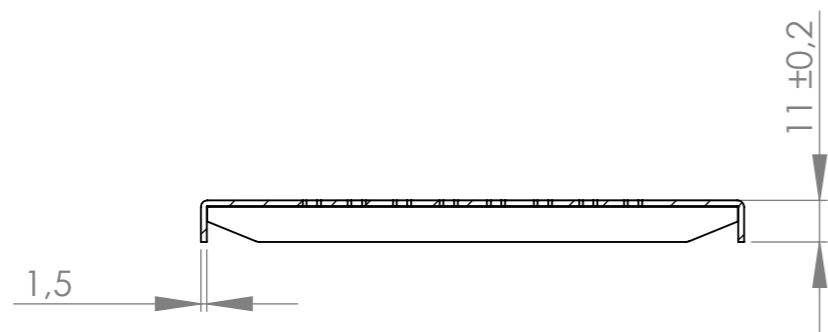


SECTION F-F

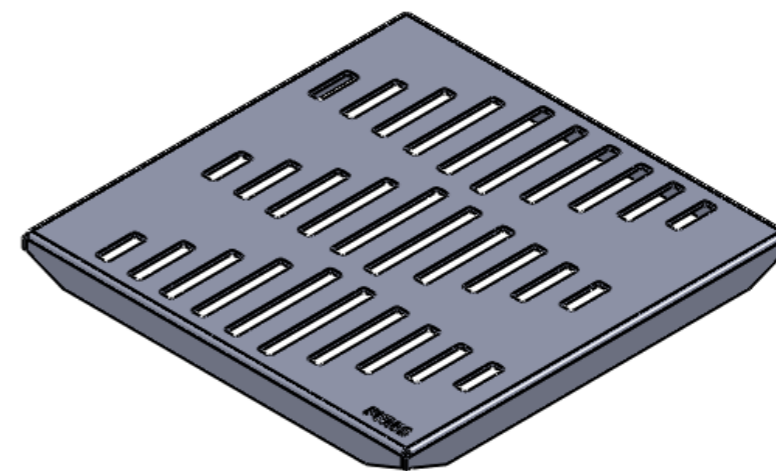
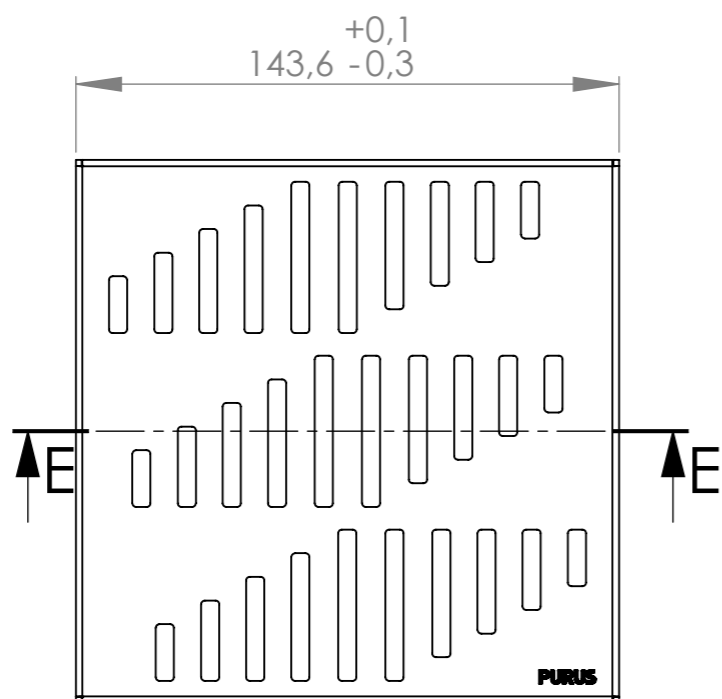


Project no	Annotation	Scale		Page	Surface treatment	This drawing replace		Date	
	-	1:2		2(8)	A3_	-		-	
		Material		General tolerance. ISO 2768-1	Weight (gram)	Volume (cm3)	Approved by	Date	
		ABS PC		-	38.45	35.93	-	-	
Name		RSK no		Designer		Created date			
Square Basic 150				Sws		2011-07-05			
		Article no		Edition					
		25051		1					

This document must not be copied without our written permission, and the contents thereof must not be imported to a third party nor be used for any unauthorized purpose. Contravention will be prosecuted. Purus AB

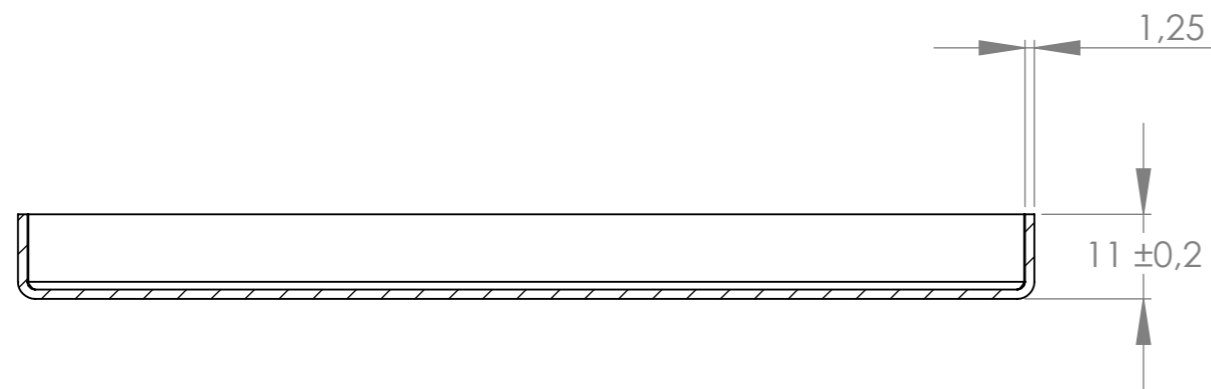


SECTION E-E

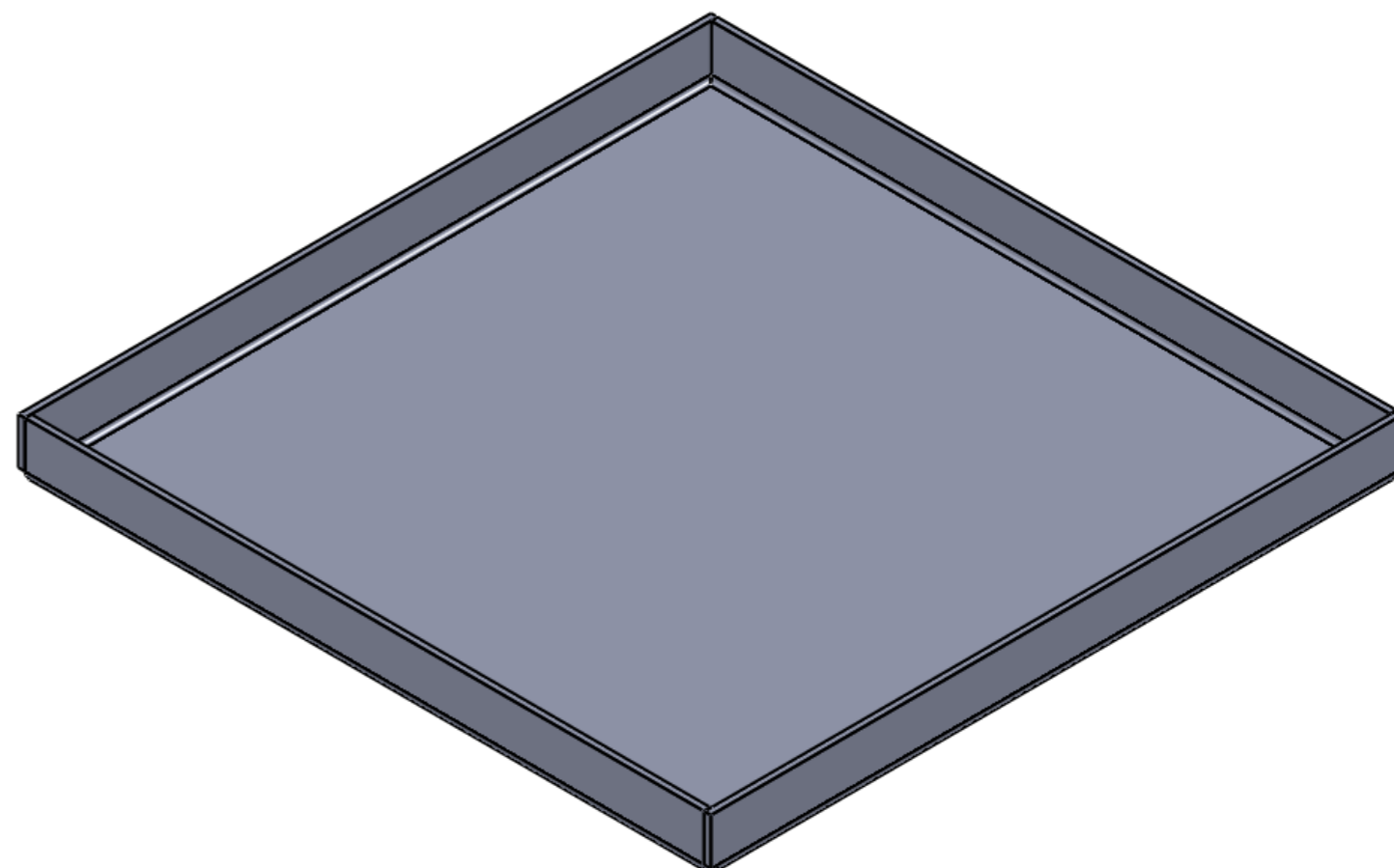
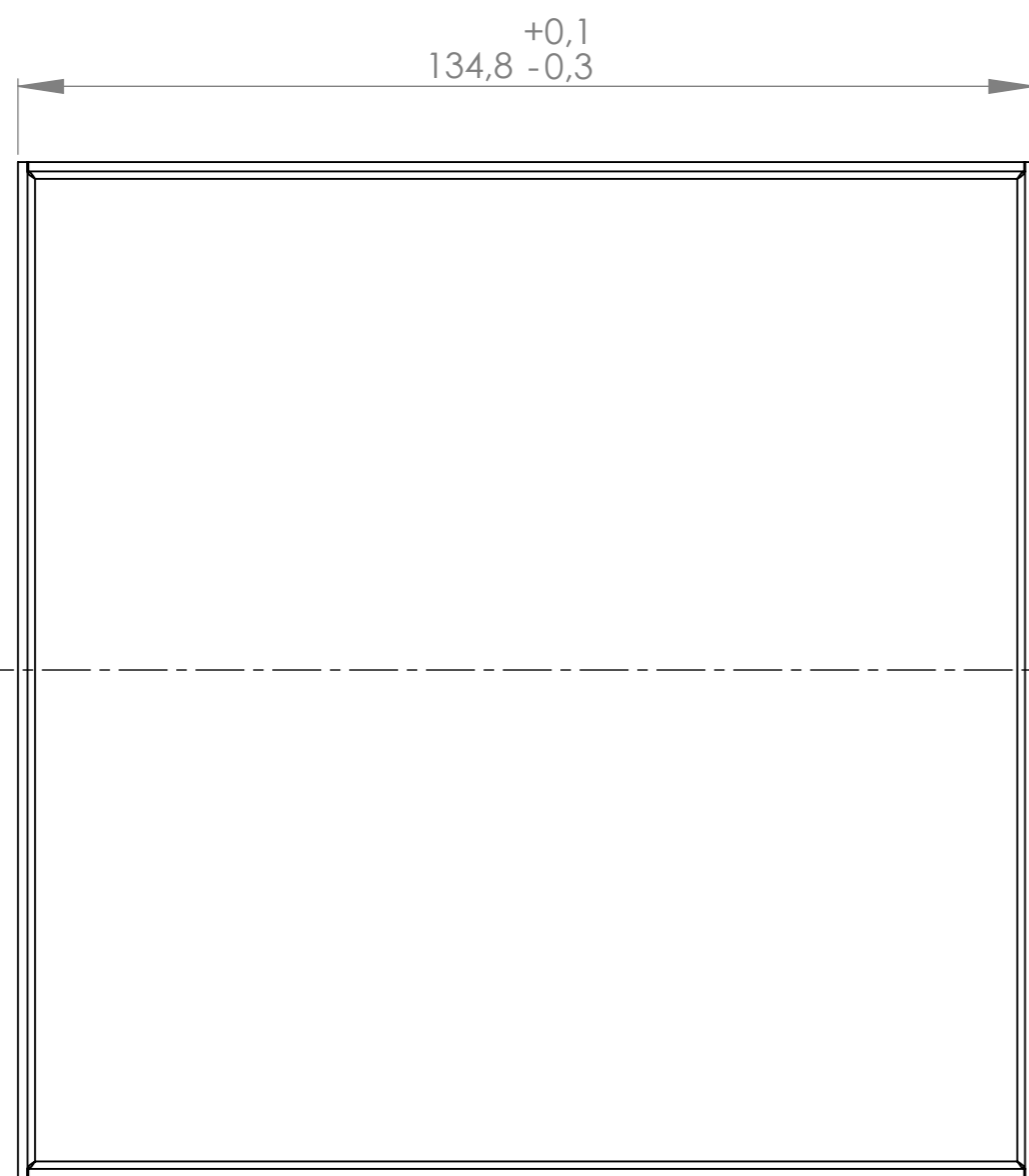


Project no 4062	Annotation	Scale 1:2	Page 3(8)	Surface treatment A3	This drawing replace	Date	
 Purus AB Södra Dragongatan 15 SE 271 39 Ystad, SWEDEN Ph. +46 10 4144 900 Fax +46 10 4144 996 www.purus.se		Material	General tolerance: ISO 2768-1	Weight (gram)	Volume (cm3)	Approved by	Date
		Name Basic Twist 150	RSK no	Designer EP	Created date 11-09-21	Article no 854336	Edition

This document must not be copied without our written permission, and the contents thereof must not be imported to a third party nor be used for any unauthorized purpose. Contravention will be prosecuted. Purus AB

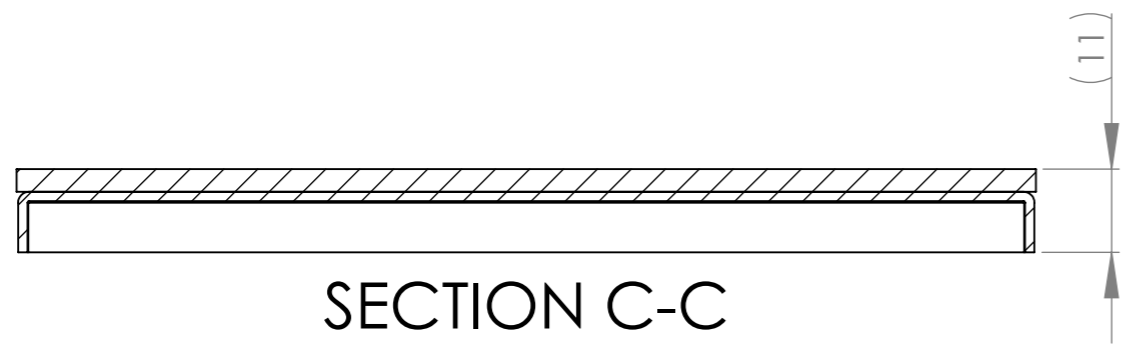


SECTION B-B



Project no 4062	Annotation	Scale 1:1	Page 4(8)	Surface treatment A3	General tolerance. ISO 2768-1	Weight (gram)	Volume (cm3)	Approved by EP	Date 11-09-21
				This drawing replace		Date			
Material				RSK no		Designer EP		Created date 11-09-21	
Name Laatta 150						Article no 854337		Edition	

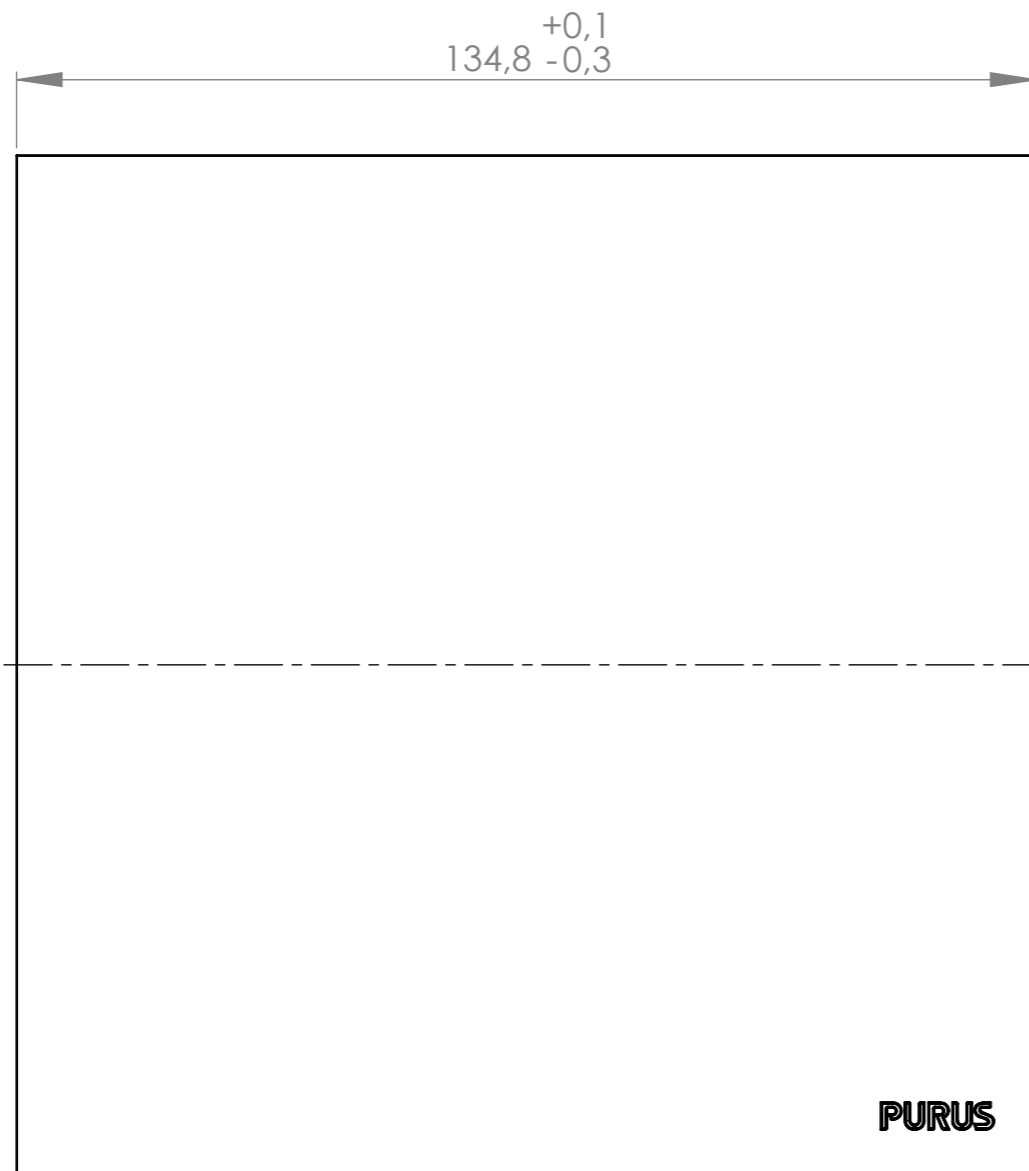
This document must not be copied without our written permission, and the contents thereof must not be imported to a third party nor be used for any unauthorized purpose. Contravention will be prosecuted. Purus AB



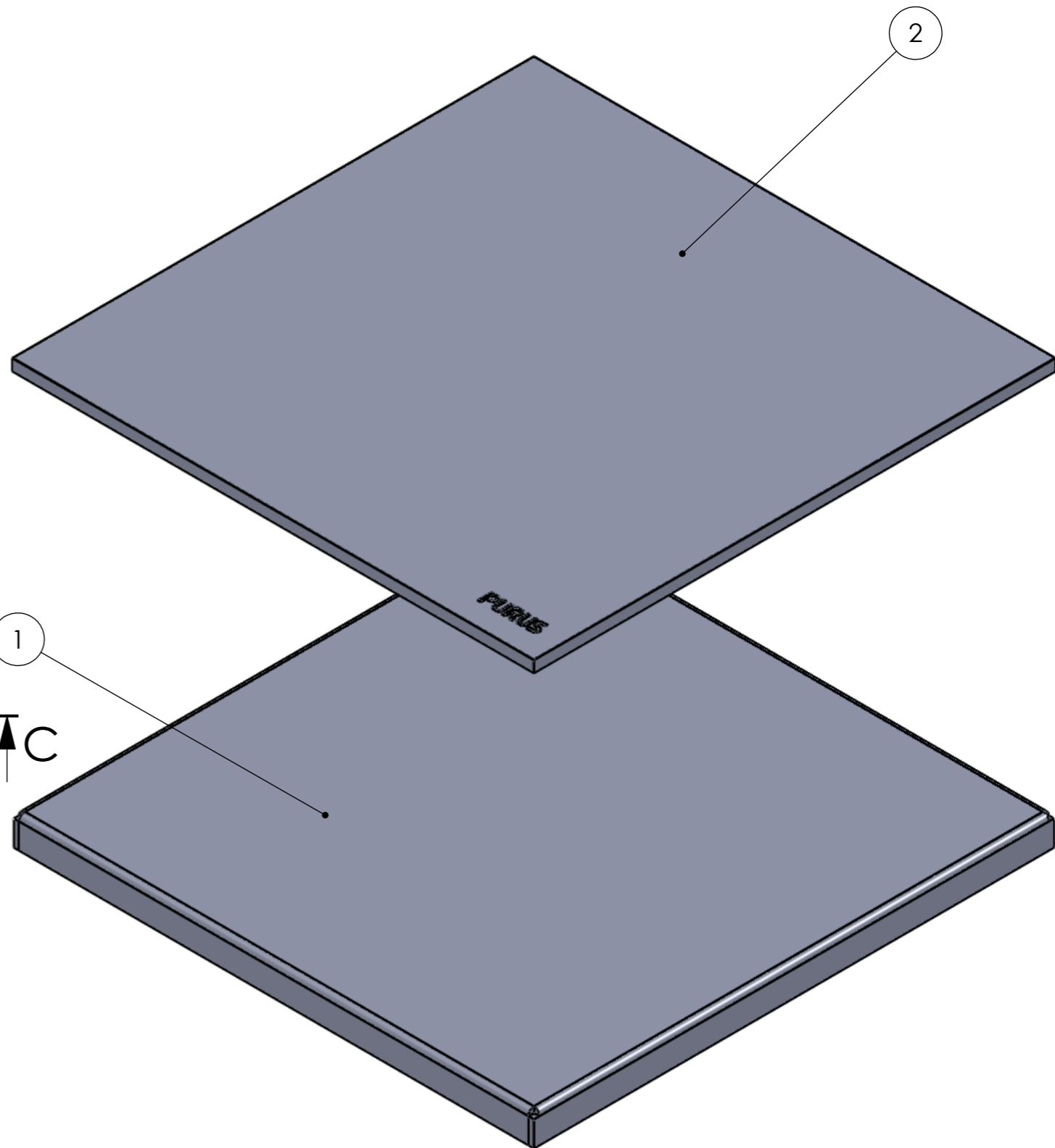
SECTION C-C

$134,8^{+0,1}_{-0,3}$

(11)



PURUS



1

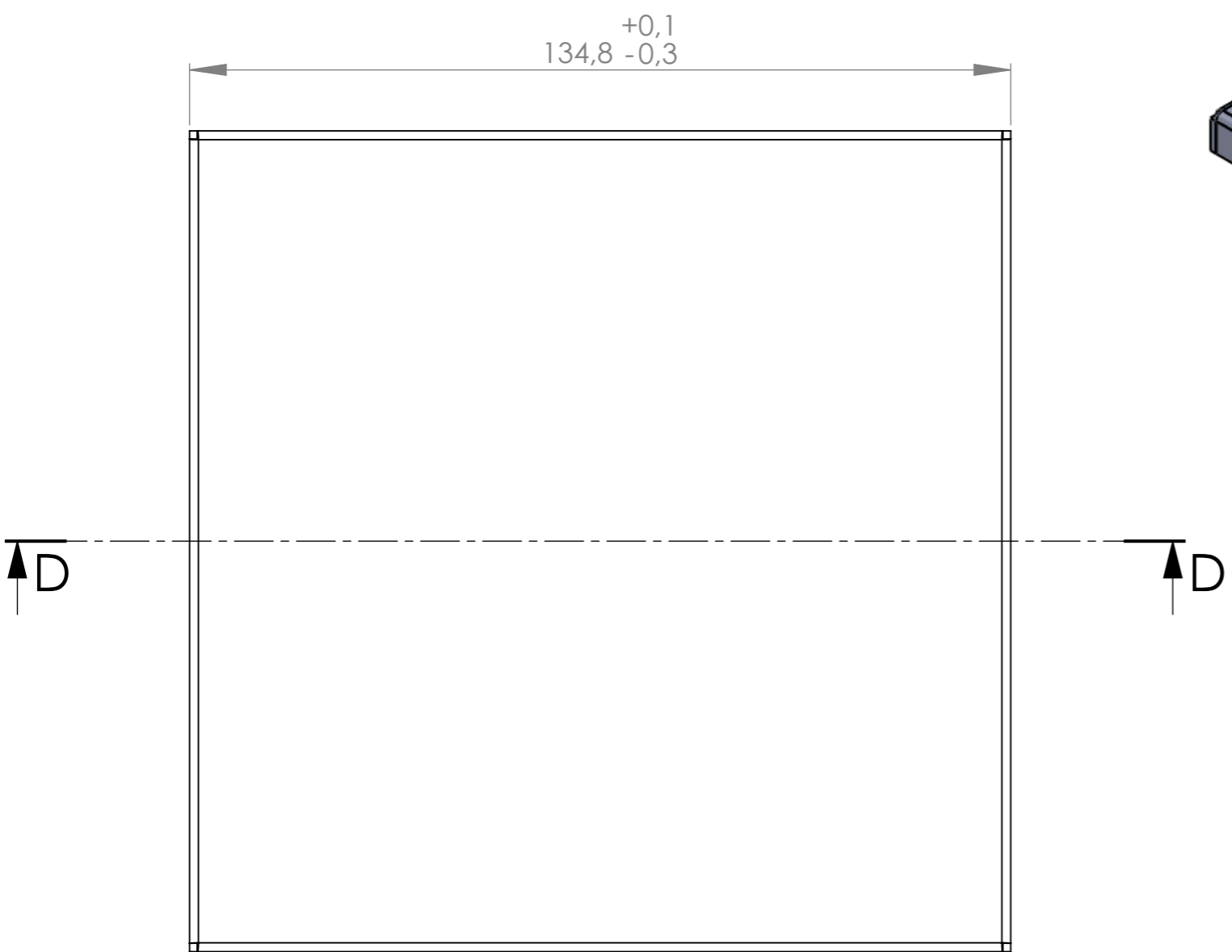
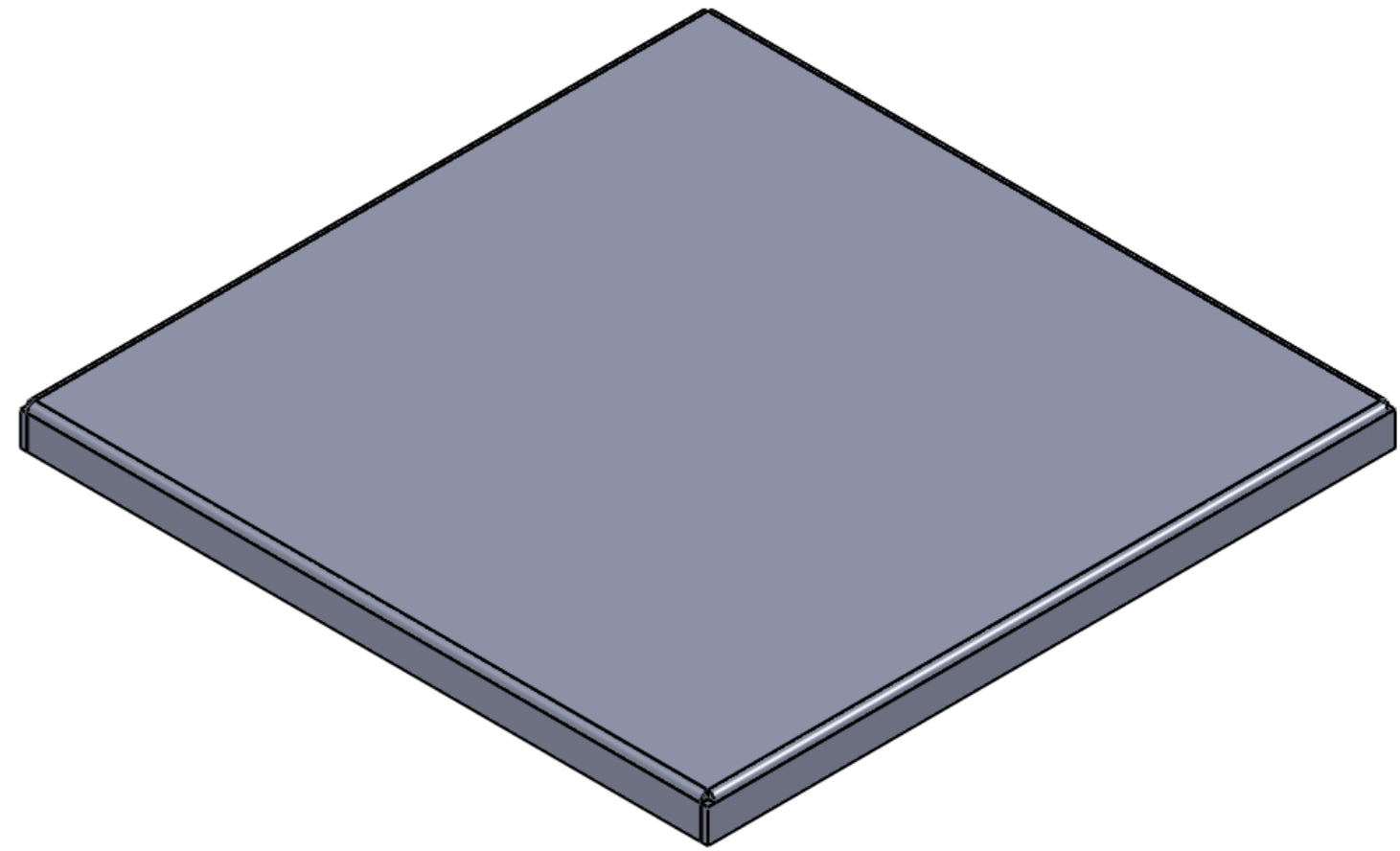
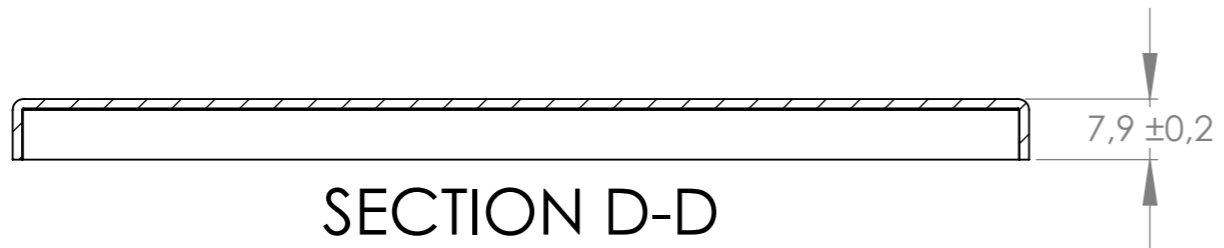
2


C

ITEM NO.	PART NUMBER	DESCRIPTION	QTY.
1	854339	pohja Teräs 150	1
2	854340	Treräs 150	1

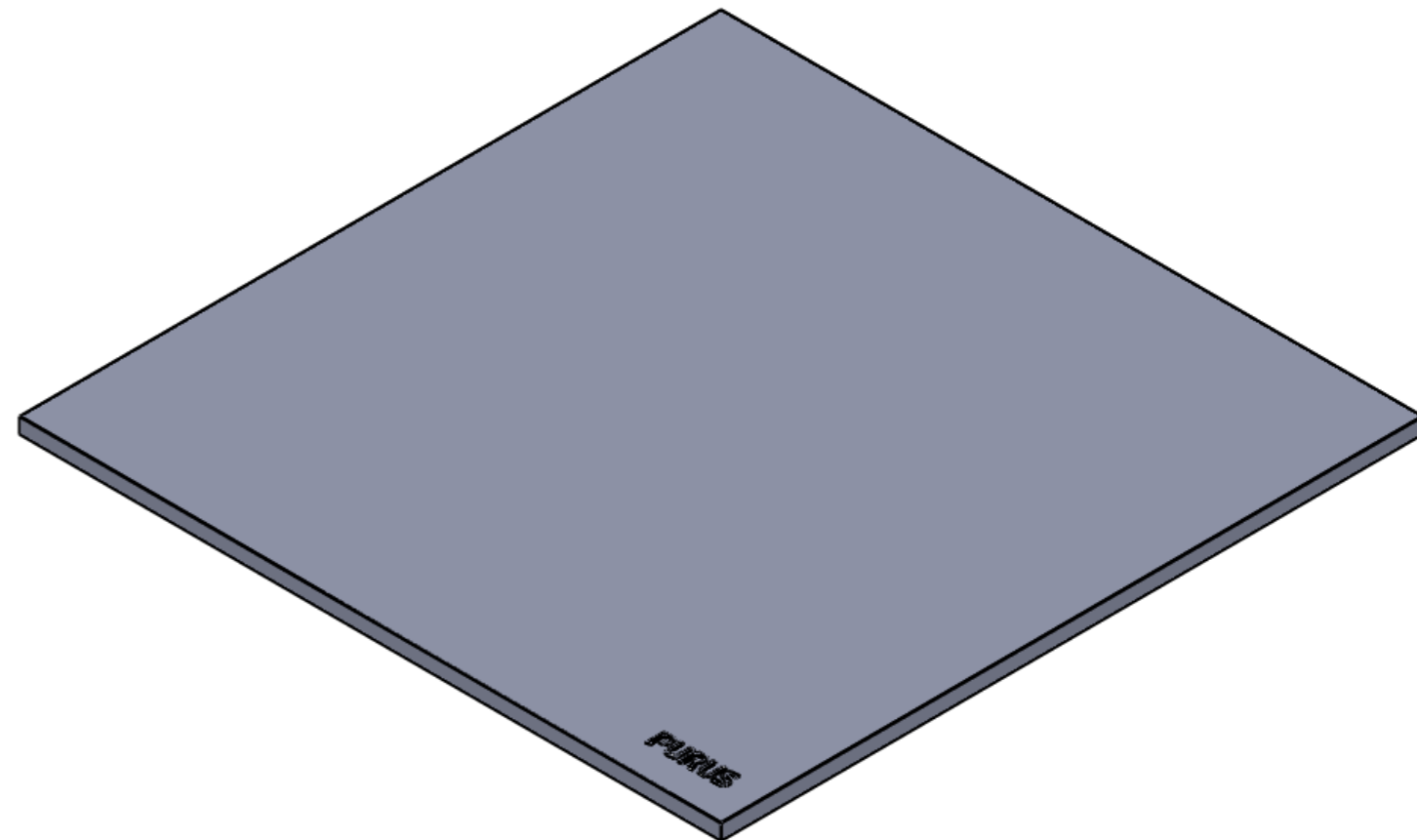
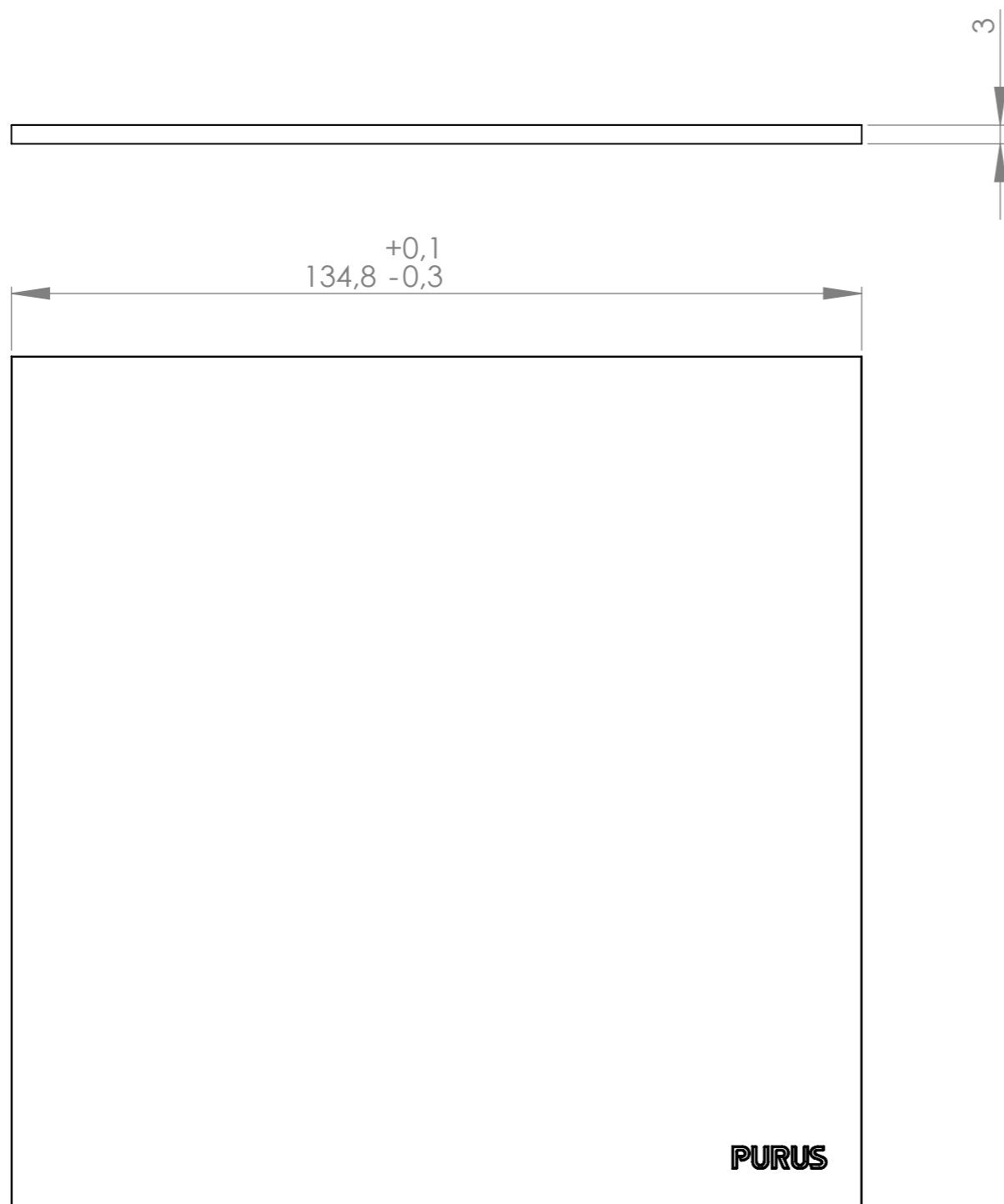
Project no 4062	Annotation	Scale 1:1	Page 5(8)	Surface treatment A3	General tolerance. ISO 2768-1	Weight (gram)	Volume (cm3)	Approved by EP	Date 11-09-21
				Material Teräs 150		RSK no 		Designer EP	
Name Teräs 150						Article no 854338		Edition	


This document must not be copied without our written permission, and the contents thereof must not be imported to a third party nor be used for any unauthorized purpose. Contravention will be prosecuted. Purus AB



Project no 4062	Annotation	Scale 1:1	Page 6(8)	Surface treatment A3	General tolerance. ISO 2768-1	Weight (gram)	Volume (cm3)	Approved by EP	Date 11-09-21
				Material Pohja Teräs 150		RSK no		Designer EP	
Name Pohja Teräs 150							Article no 854339		Edition

This document must not be copied without our written permission, and the contents thereof must not be imported to a third party nor be used for any unauthorized purpose. Contravention will be prosecuted. Purus AB



Project no 4062	Annotation	Scale 1:1	Page 7(8)	Surface treatment A3	General tolerance. ISO 2768-1	Weight (gram)	This drawing replace	Date
		Material		RSK no		Volume (cm3)	Approved by	Date
		Name Teräs 150		Designer EP		Created date 11-09-21	Article no 854340	
							Edition	