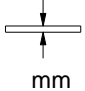
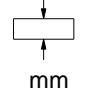
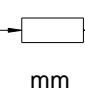
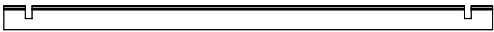
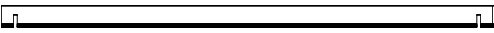

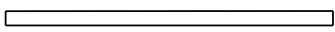


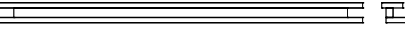

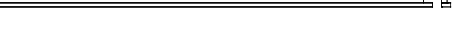

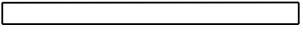
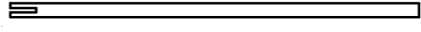
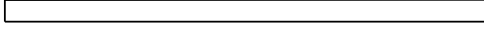
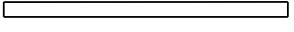
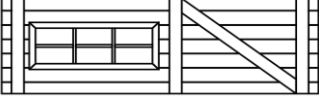
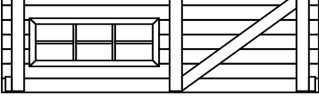
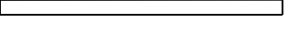
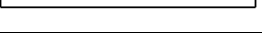

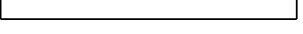
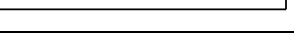
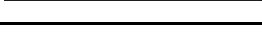


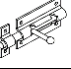
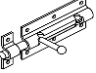
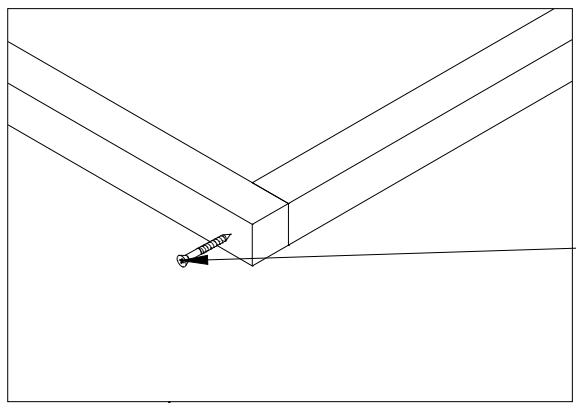
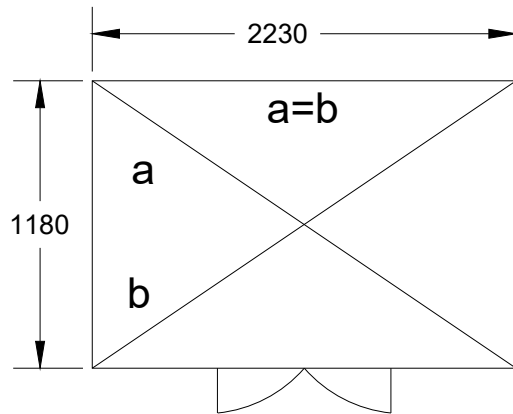


№		PCS	 mm	 mm	 mm
1		2	19	52	2350
2		1	19	46	2350
3		23	19	92	2350
4		4	OSB	35	1175
5		44	19	92	1300
6		2	19	92	1300
7		1	48	84	1290
8K		1	38	38	1842
8D		1	38	38	1842
9		6	OSB	391	1400
10		2	13	92	1413
11		4	15	35	1800
12		1	13	92	2350
13		4	15	35	1350
14		1		585	1760
15		1		585	1760
16		1	15	35	941
16.1		1	15	35	768
17		42	19	92	559
18		1	15	69	1180
19		2	15	35	1175
20		5	18	50	1147
21		2		1000	1500
22		1		500	1500
23		6			
24		3			
25		1			

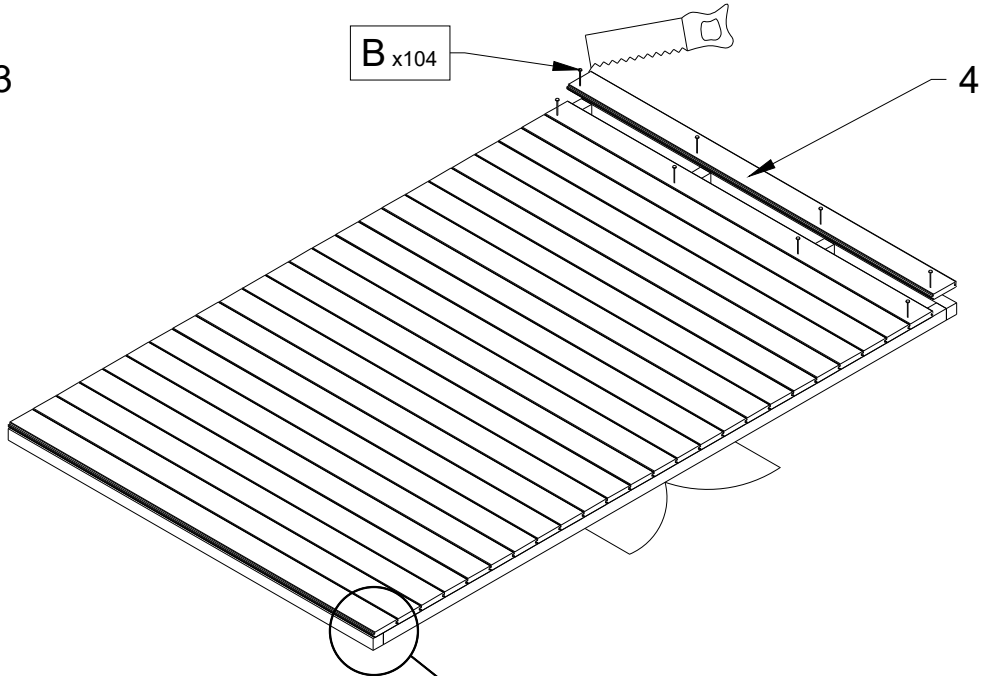
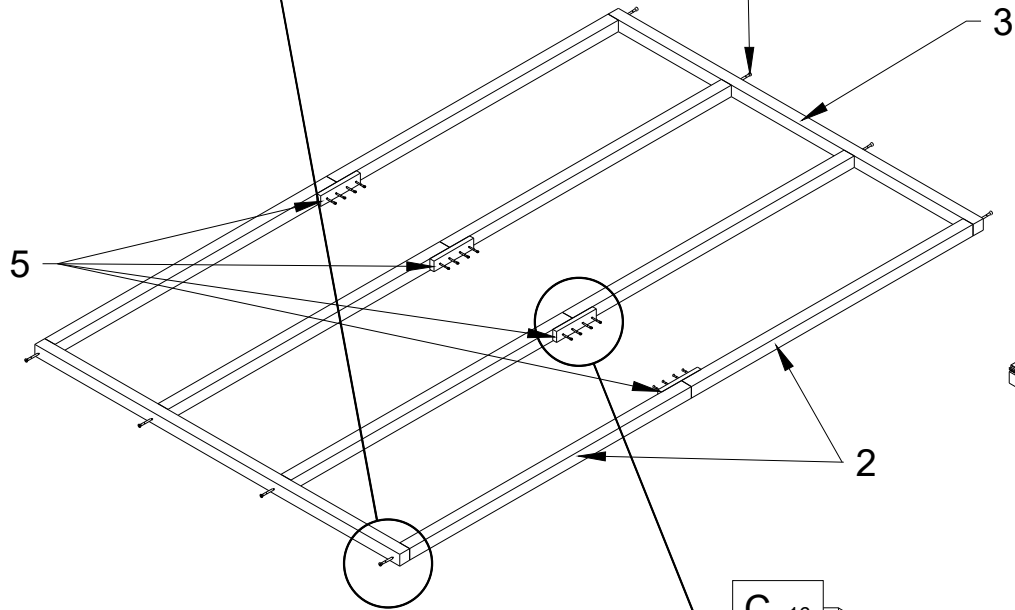
1



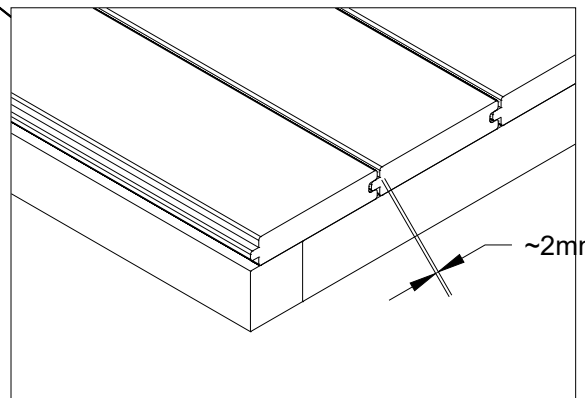
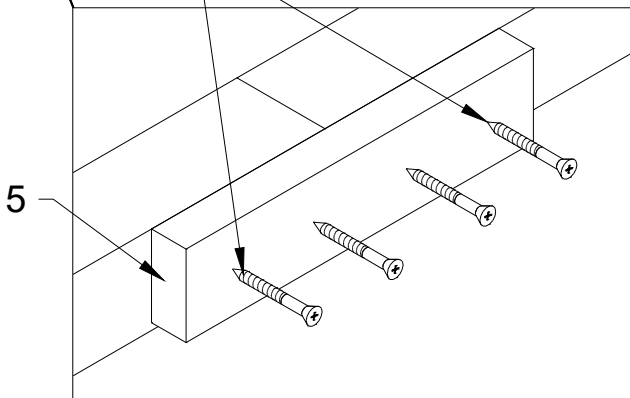
A_{x8}

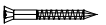

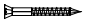


M310G
LOT77805



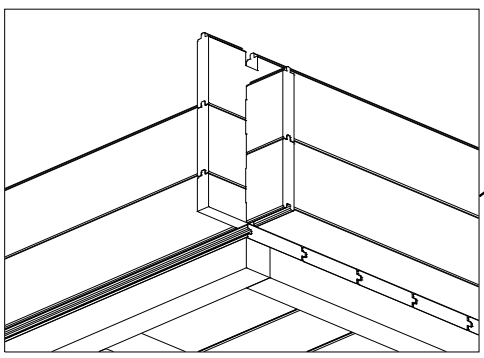
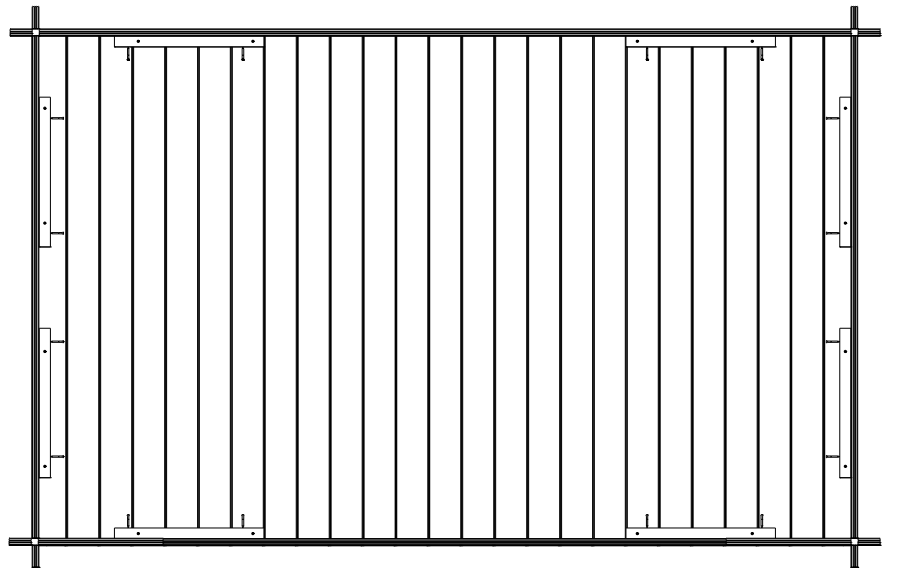
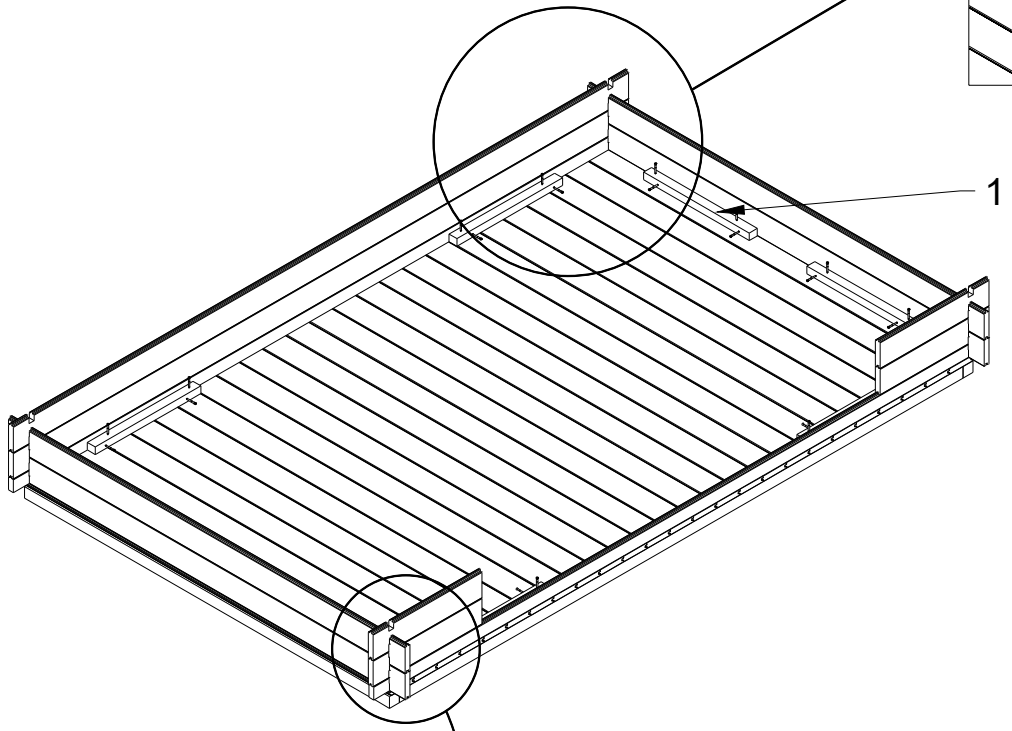
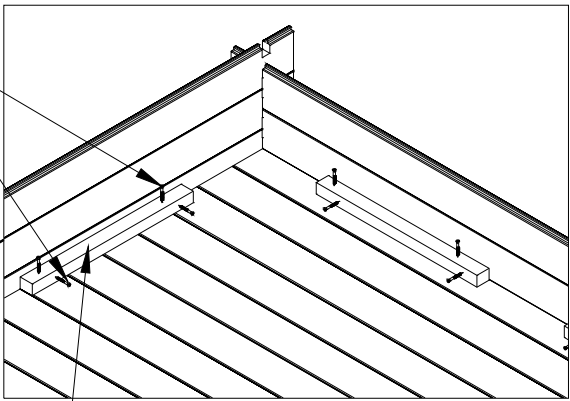
C_{x16}



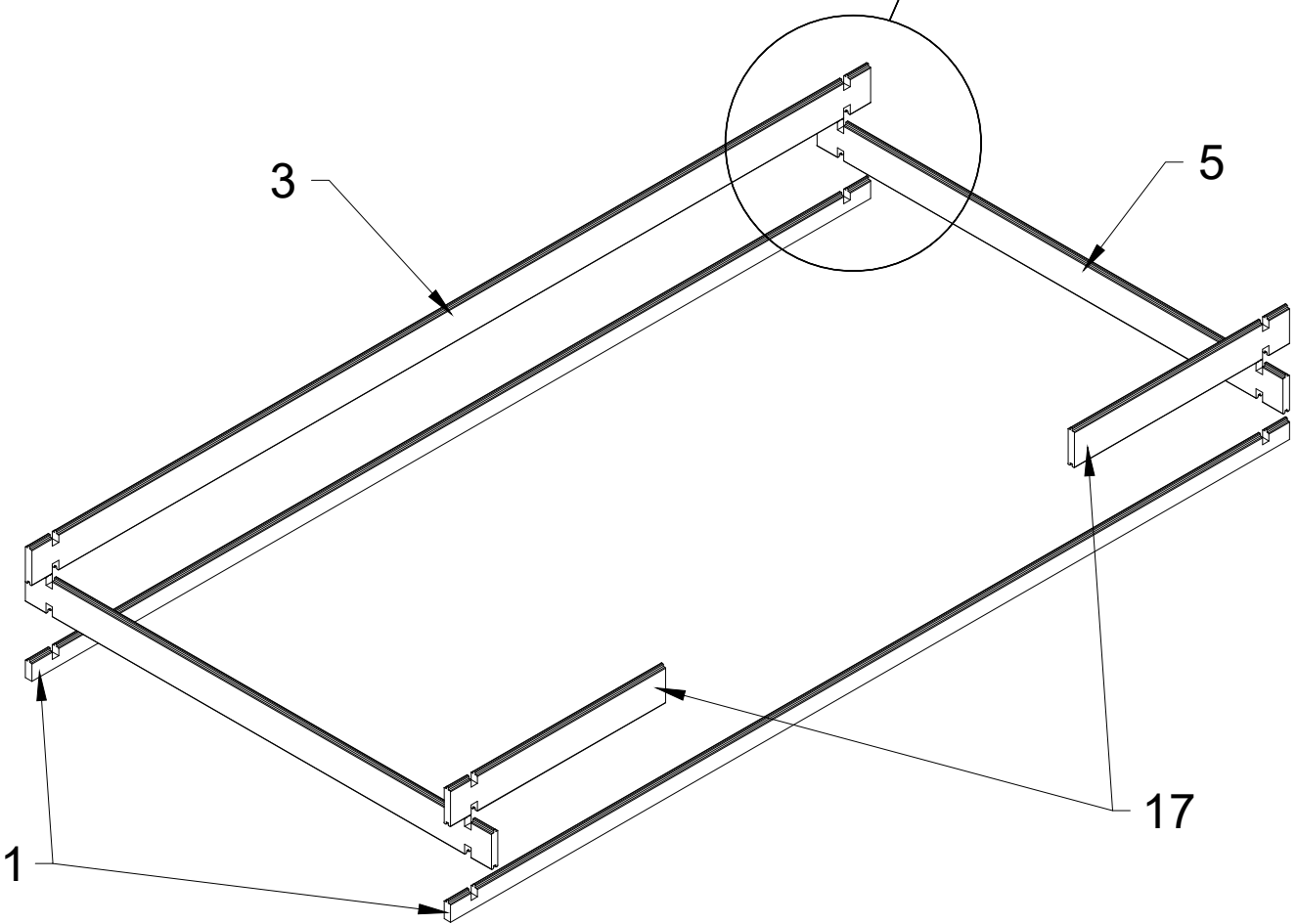
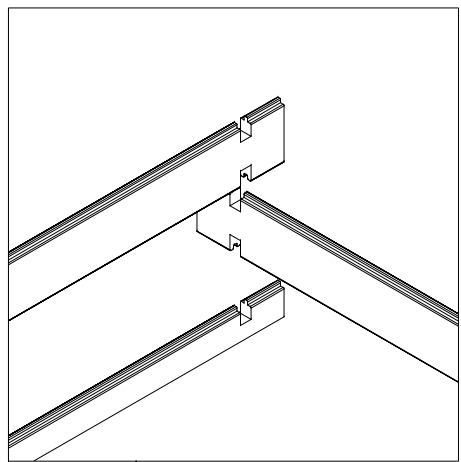
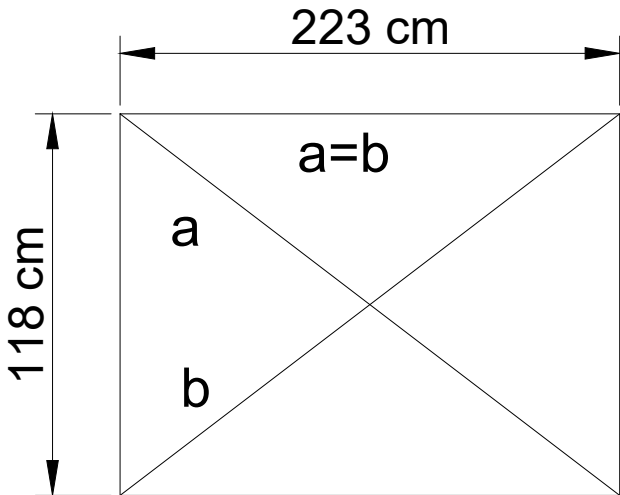
№	PCS	DIMENSIONS		
1	8	25	30	200
2	8	38	38	1077
3	2	38	38	1180
4	26	19	92	1180
5	4	15	35	150
A	8		M4x70	
B	104			
C	48		M4x45	

2

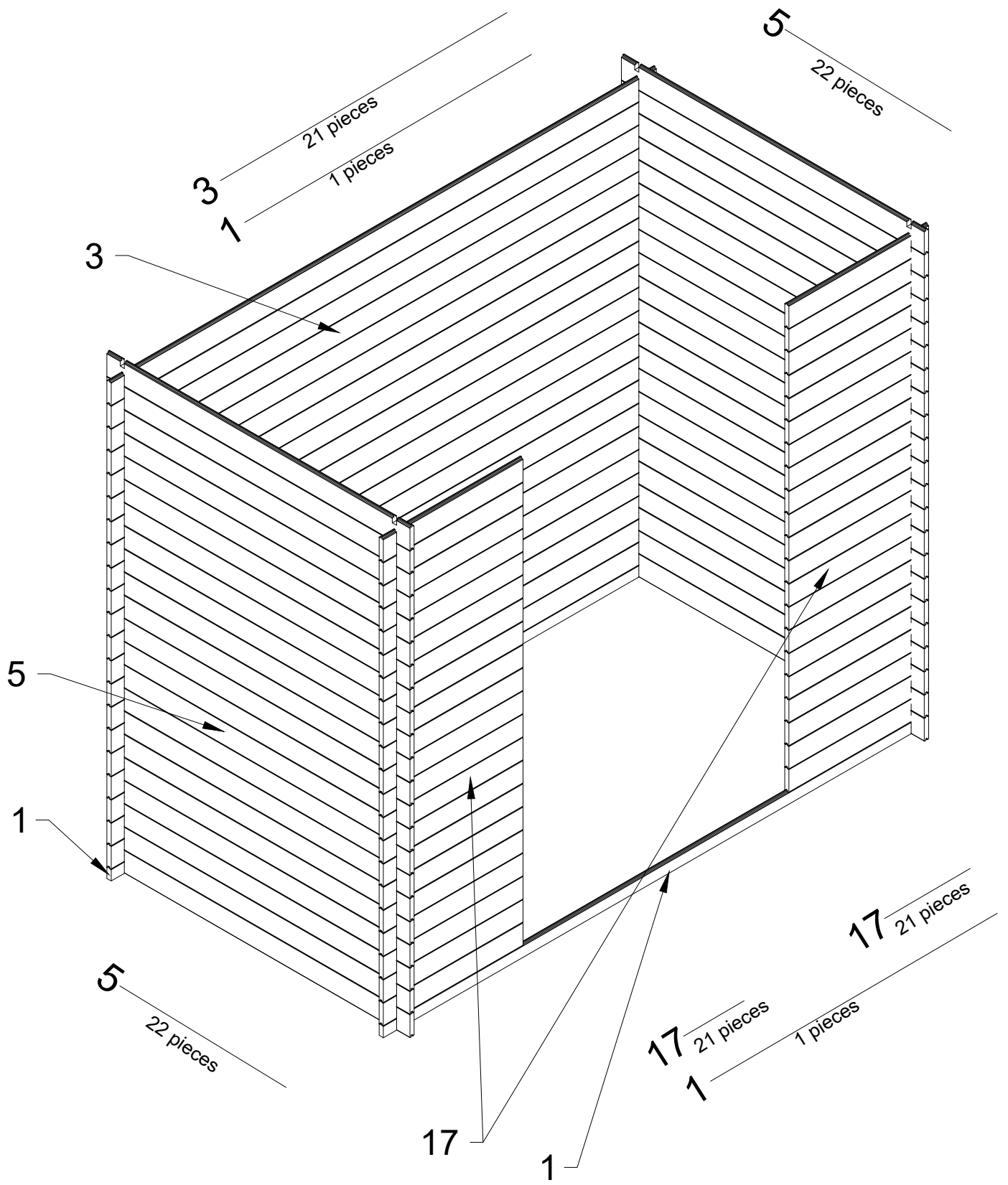
C x32



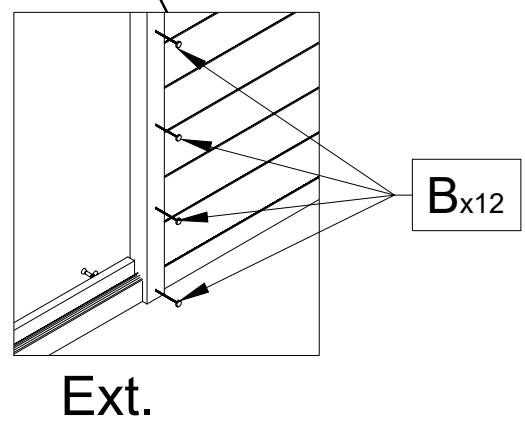
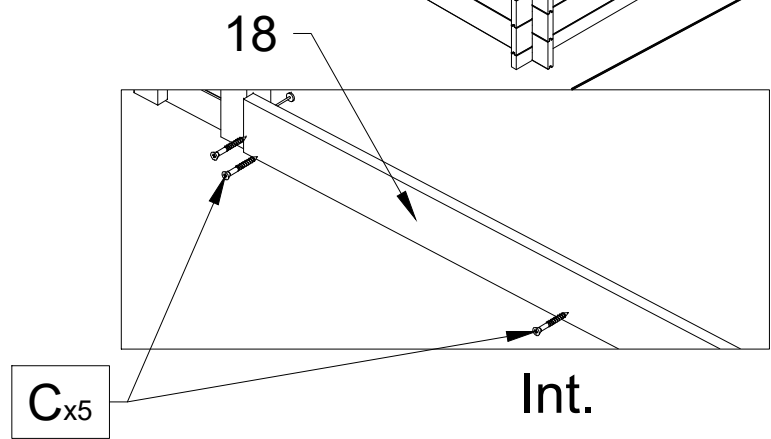
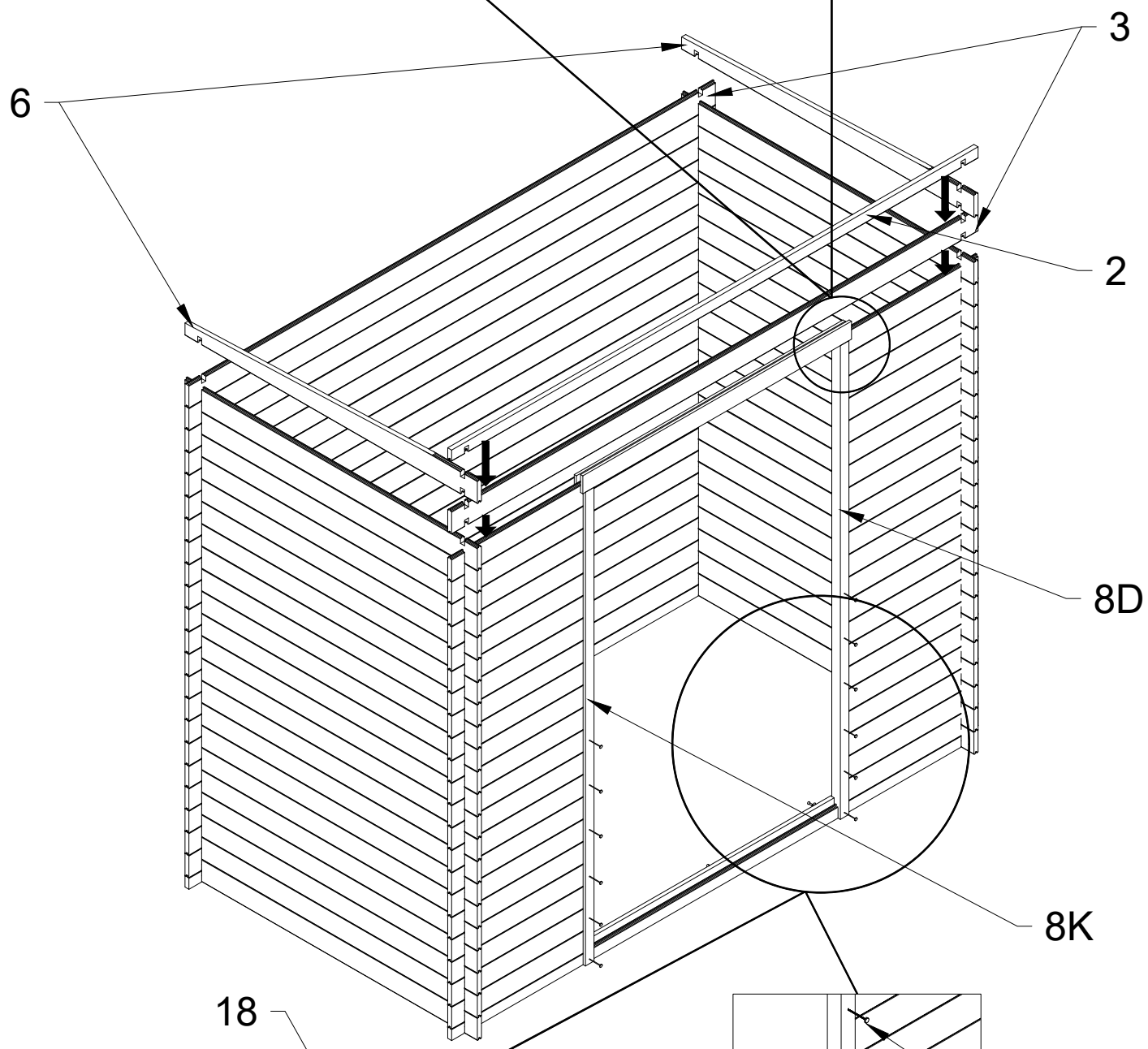
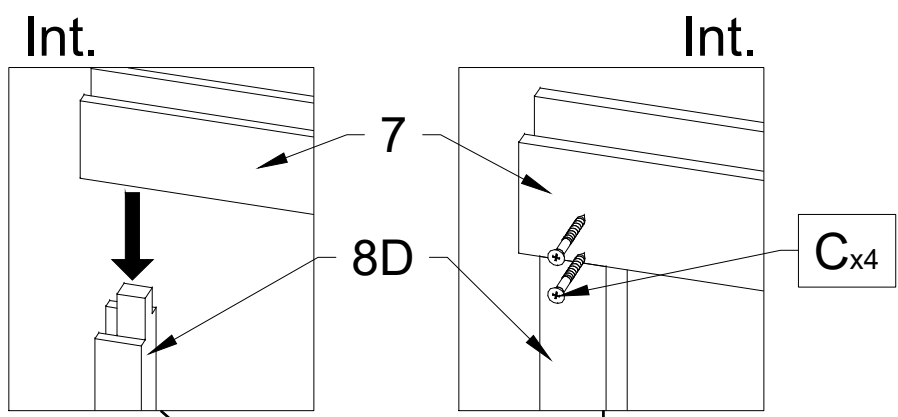
1



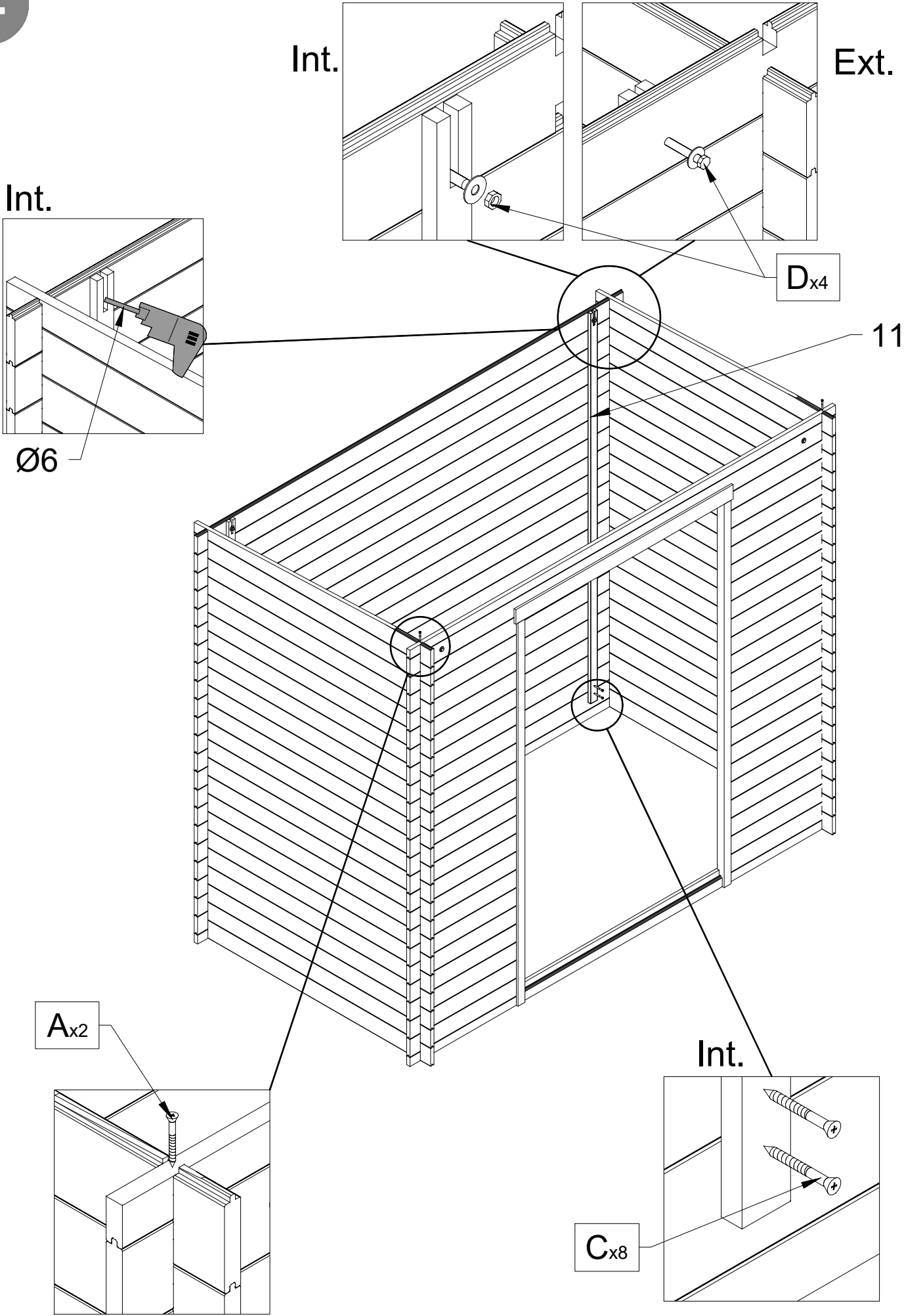
2



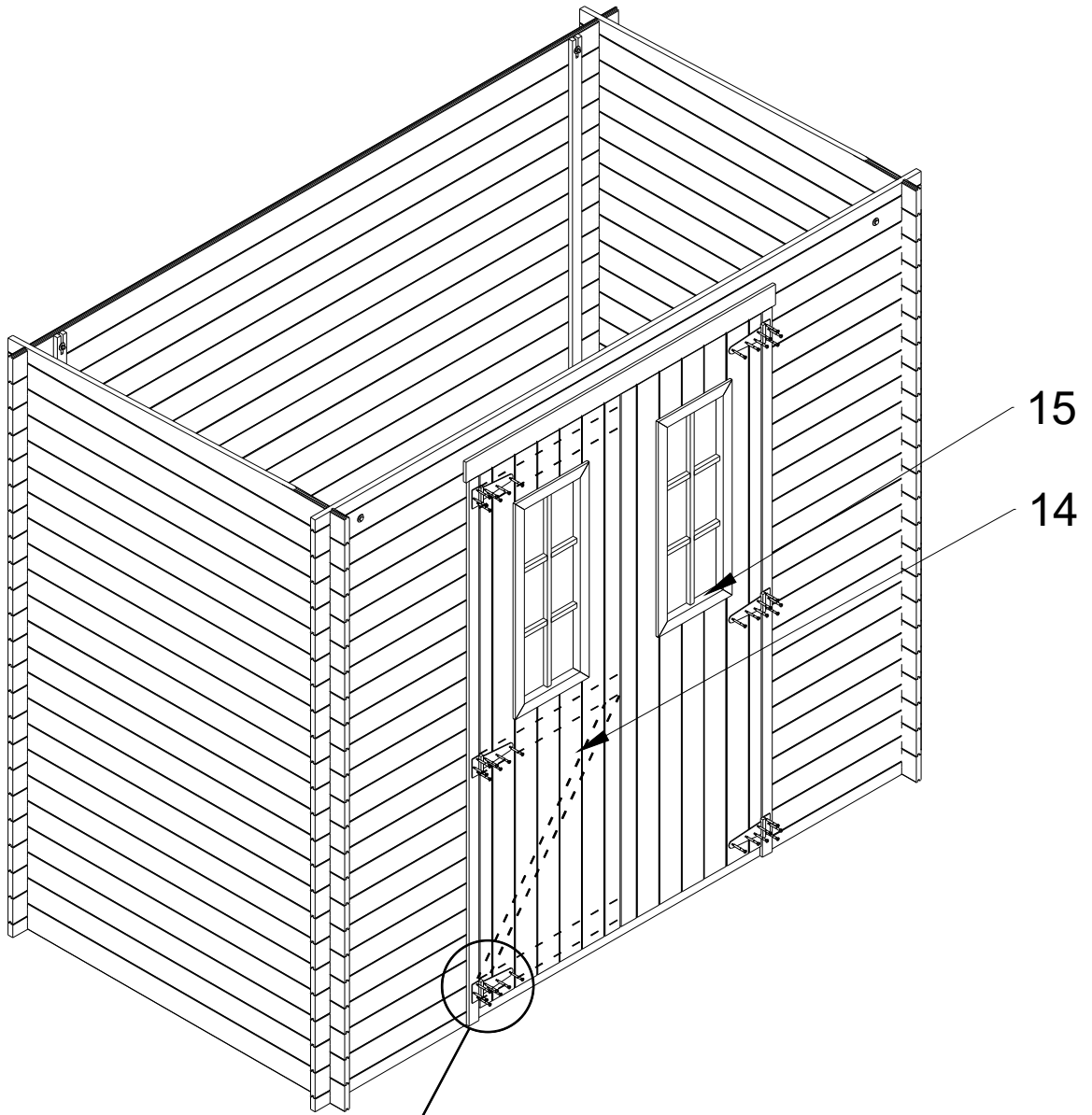
3



4

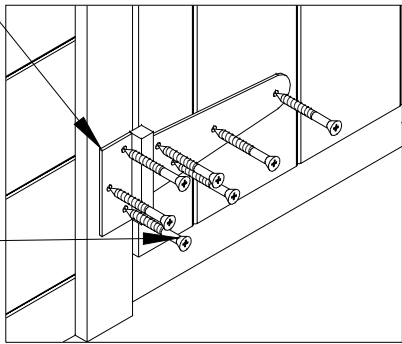


5

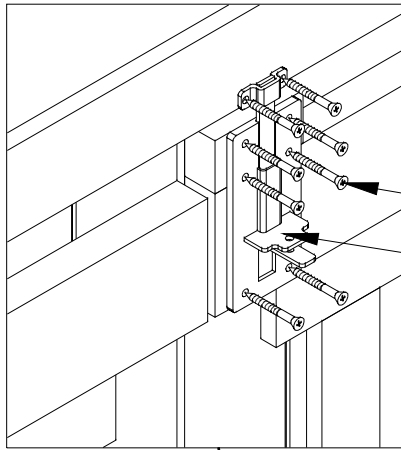


23

C_{x42}

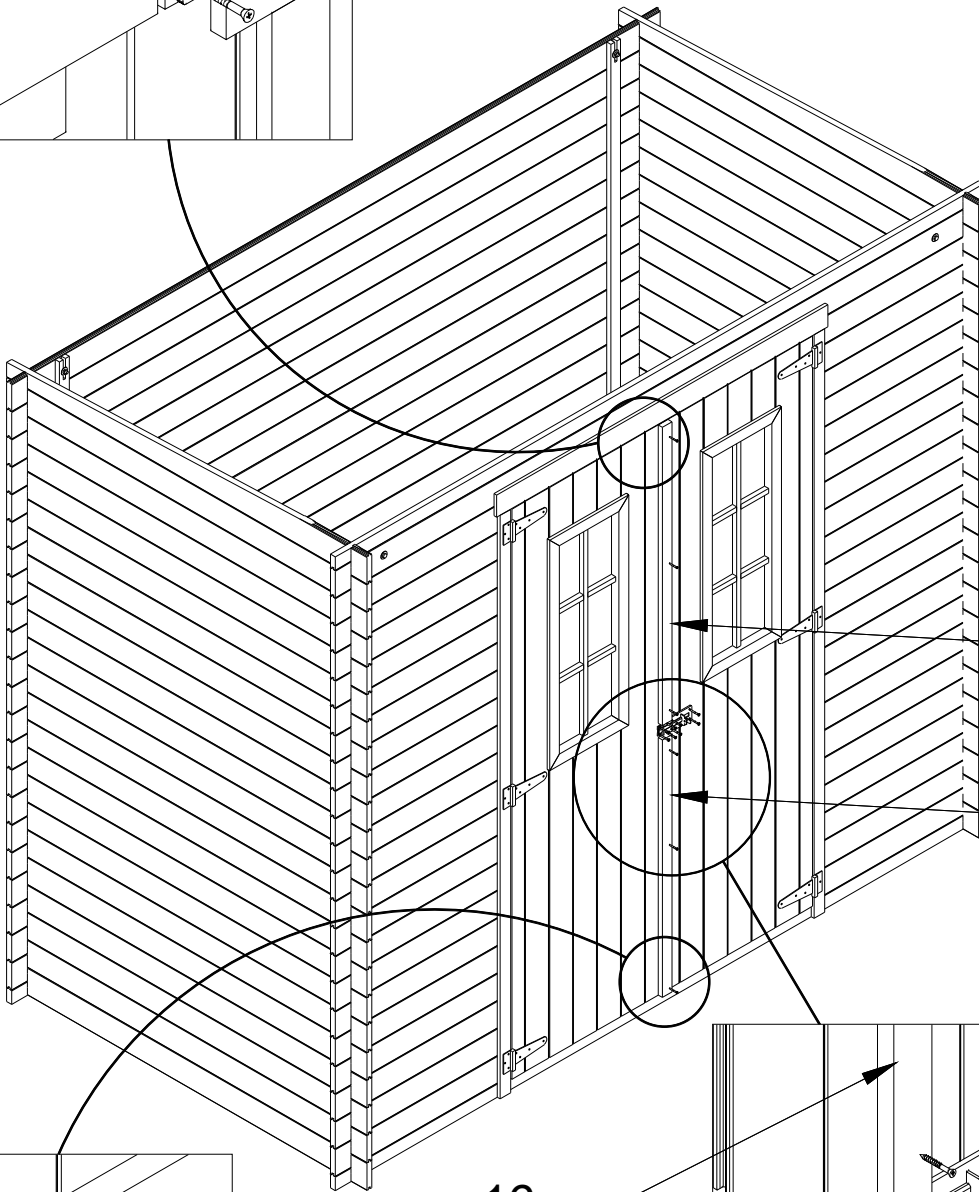


6



Int.

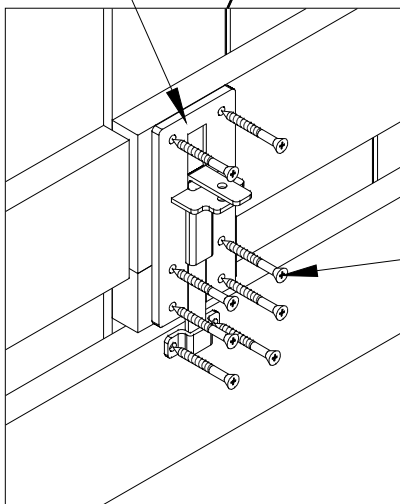
C x8
24



16

16.1

24



Int.

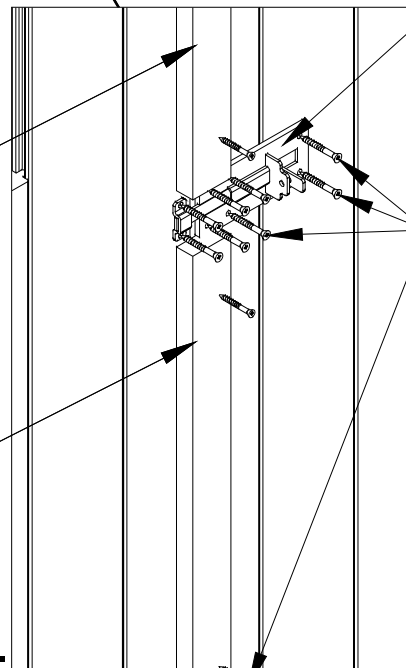
C x8

24

16

16.1

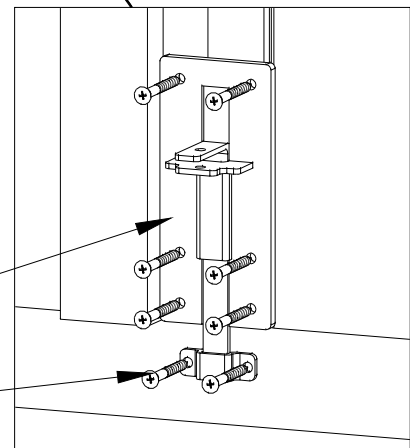
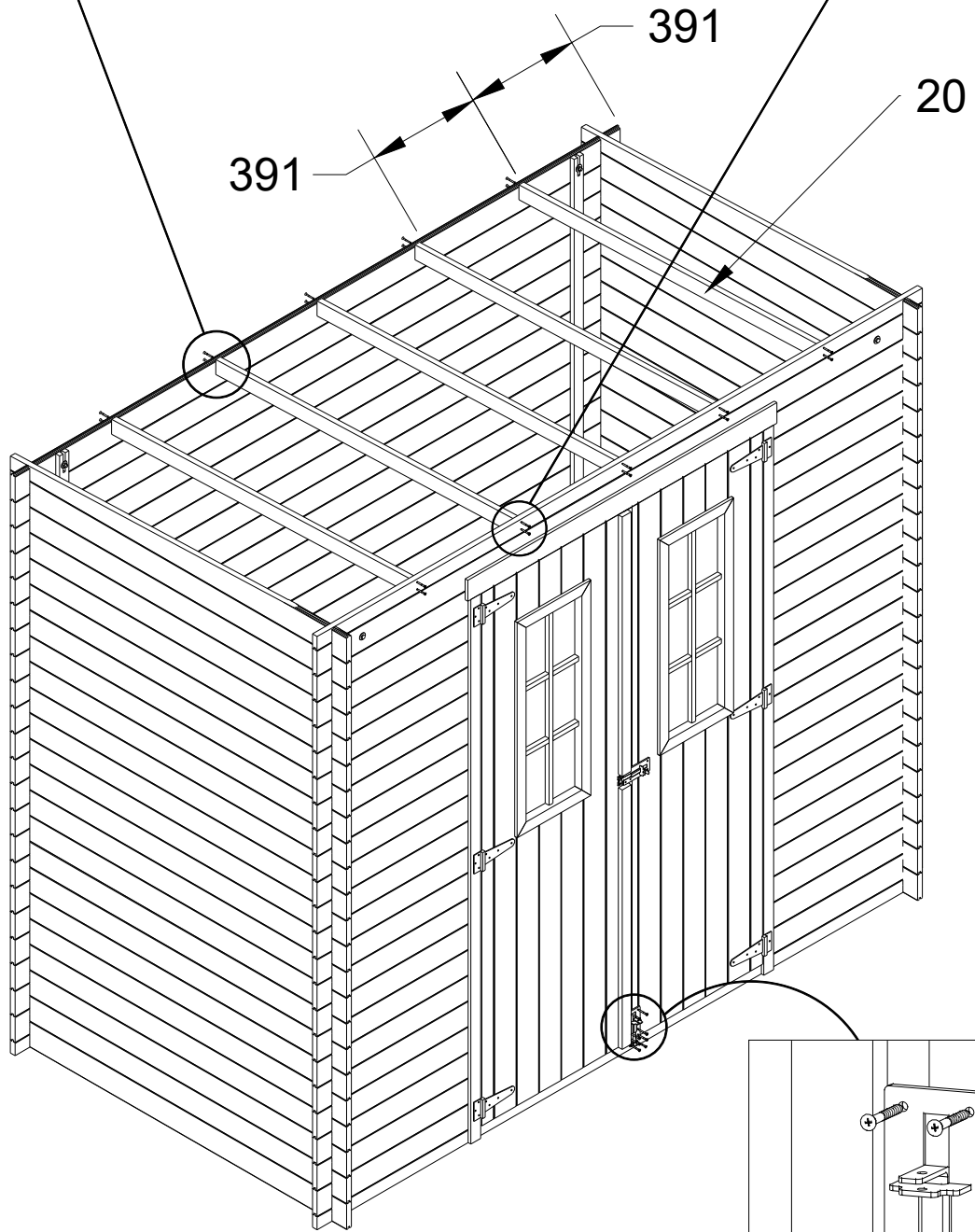
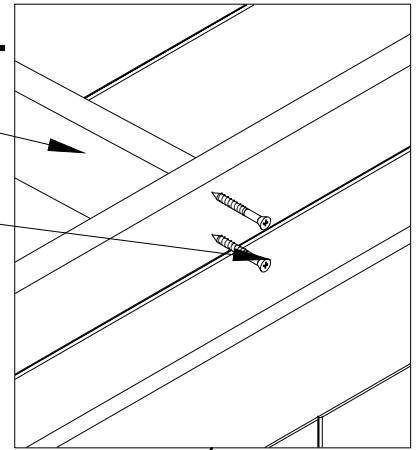
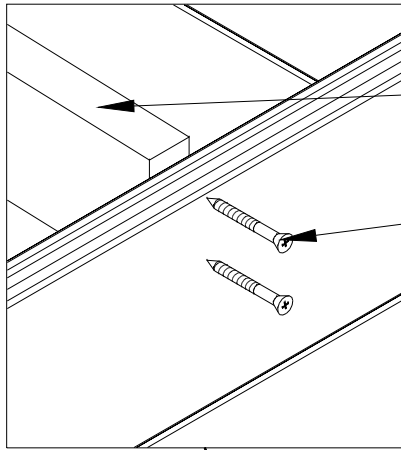
Ext.



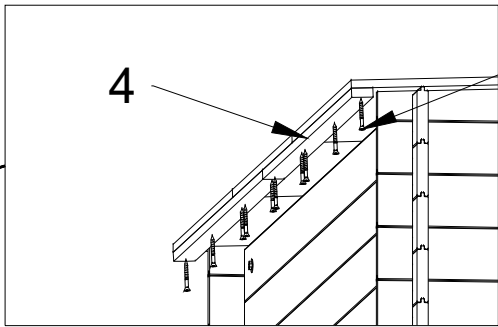
25

C x14

7

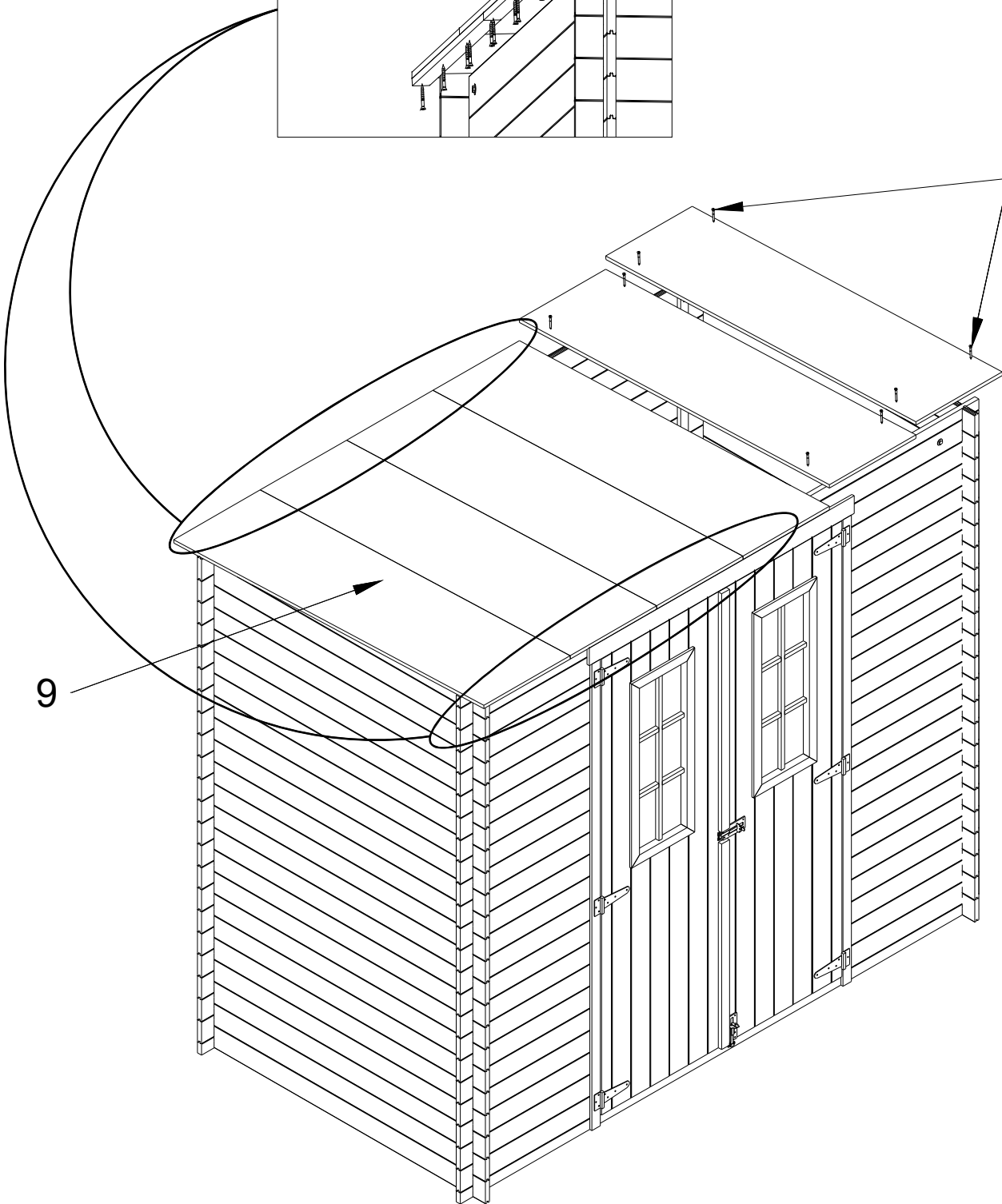


8



E_{x24}

A_{x24}



9

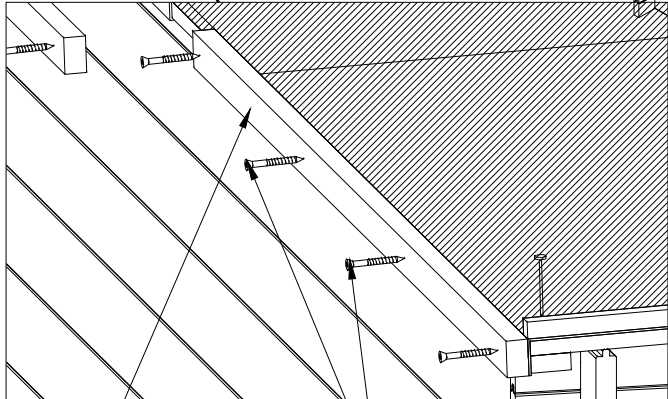
B_{x12}

19

22

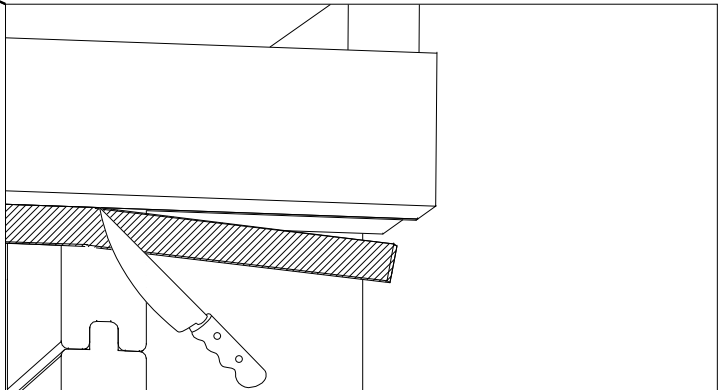
21

13



19

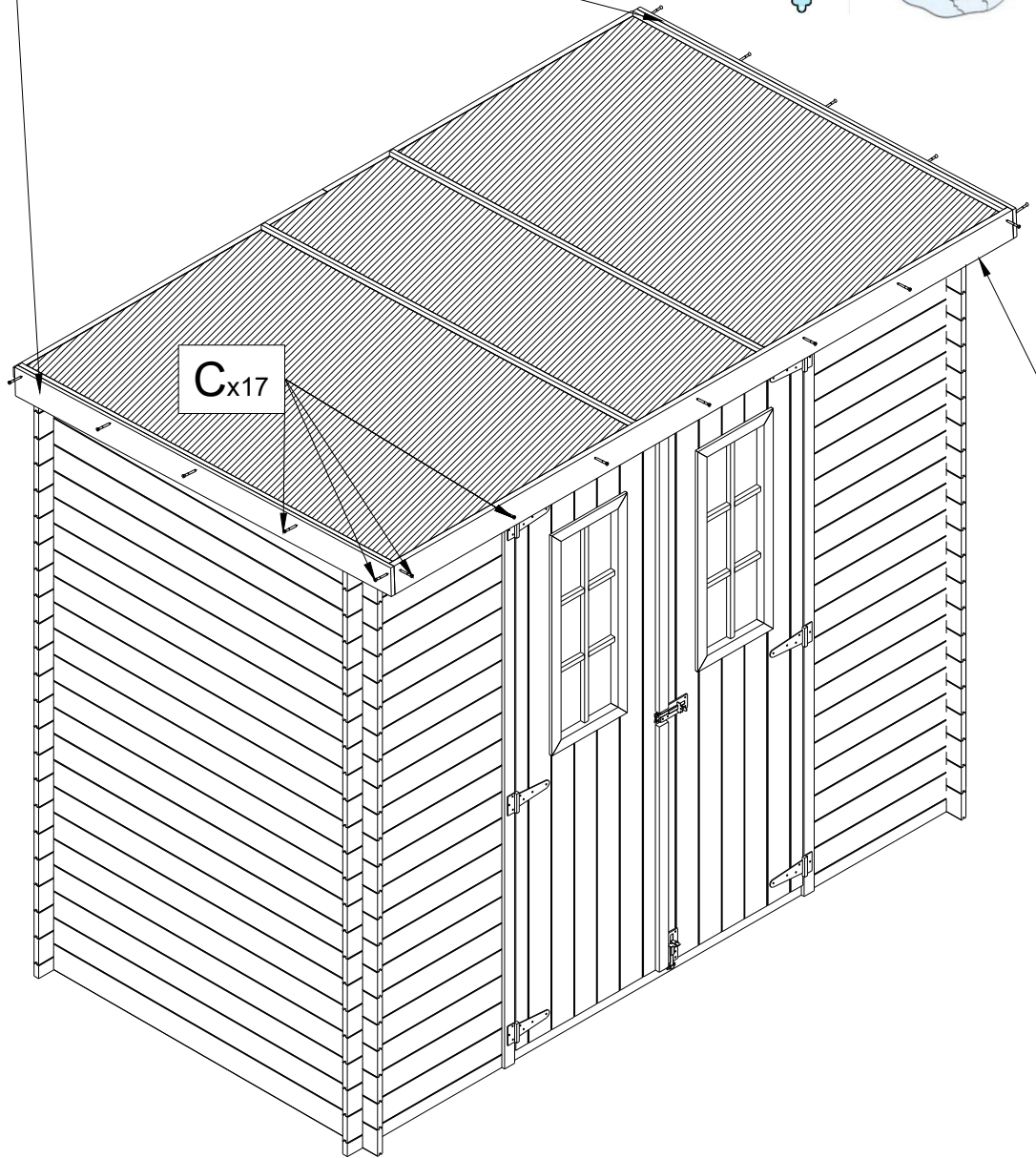
C_{x8}



10

10

MAX
30 kg/m²



Cx17

12