

Uponor

Uponor Pumpuryhmät Asennusohjeet

Fluvia T PUSH-23-B-W

Fluvia T PUSH-12-CH-X

Fluvia T PUSH-12-TH-X

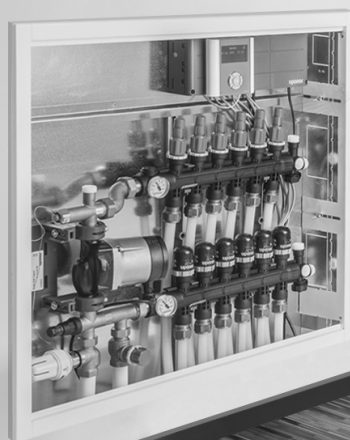
Fluvia T PUSH-12-TH

Fluvia T PUSH-12-CH

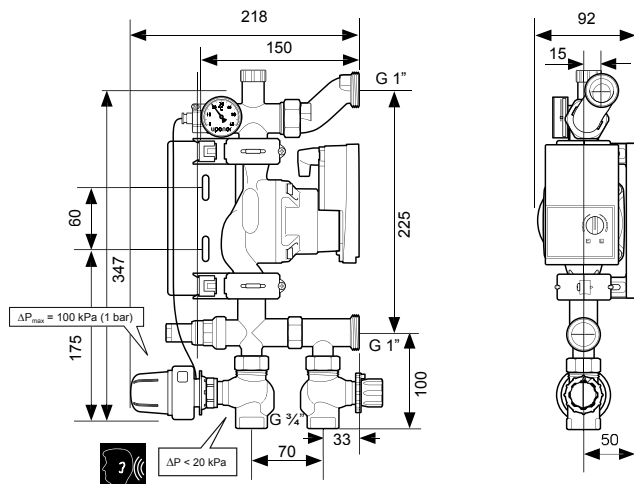
Fluvia Move PLUS EPG-6

Fluvia Move PLUS MPG-10

Fluvia Move PLUS CPG-5



Uponor Pumppuryhmä Fluvia T PUSH-23-B-W



$Q_{max} = 7 \text{ kW}$



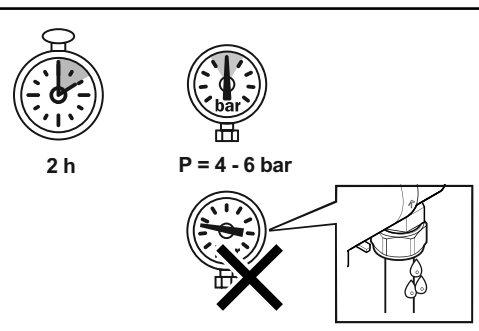
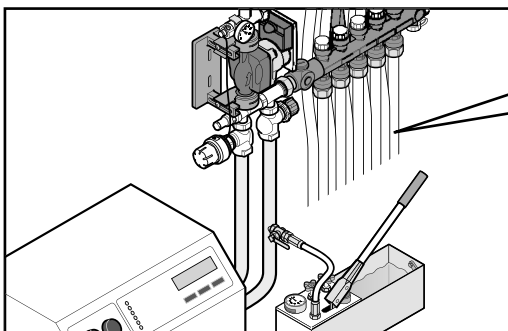
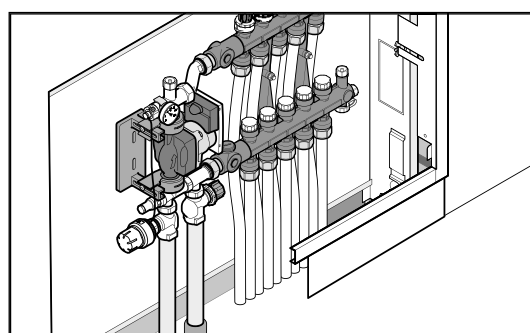
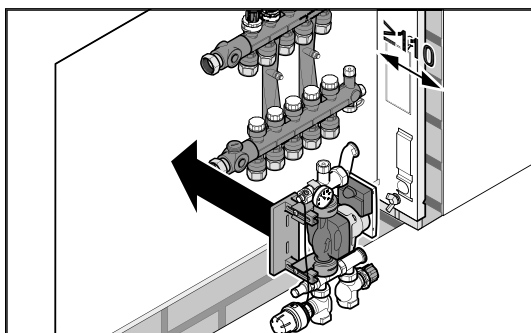
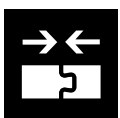
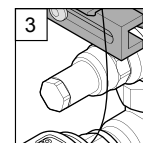
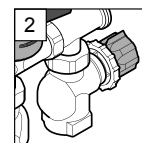
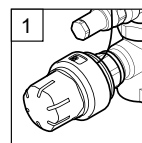
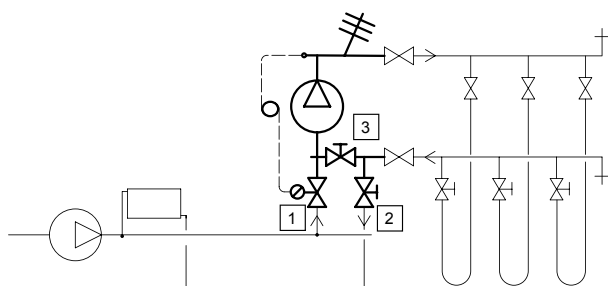
$\theta_{sec} = 15-55 \text{ }^\circ\text{C}$

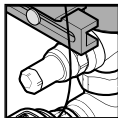
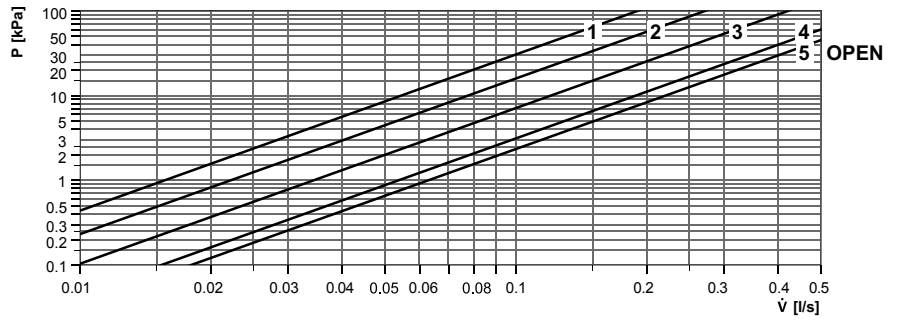
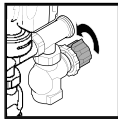
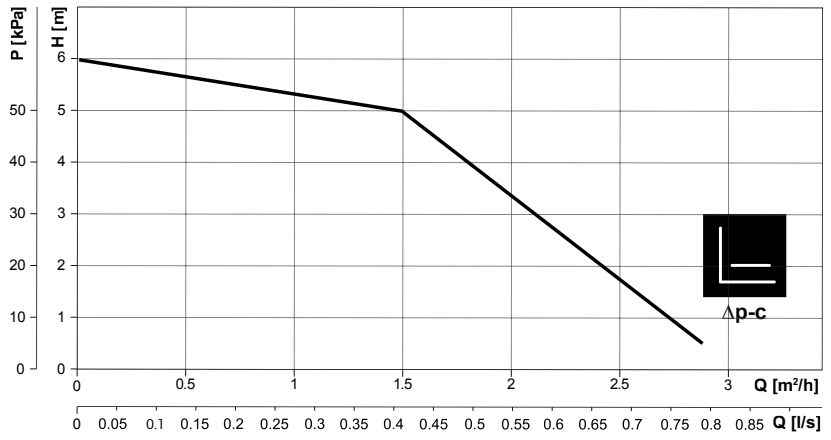
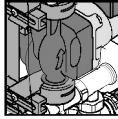


$kvs = 1,2 \text{ m}^3/\text{h}$



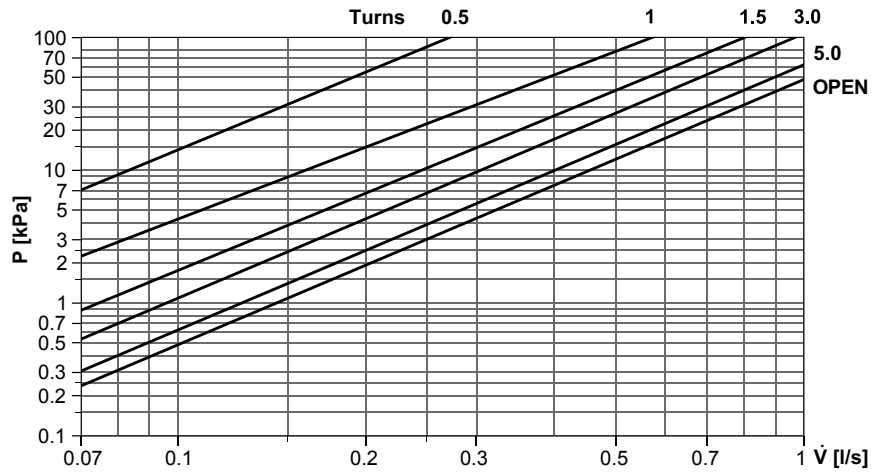
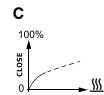
$P_{max} = 6 \text{ bar}$



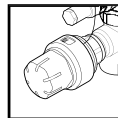
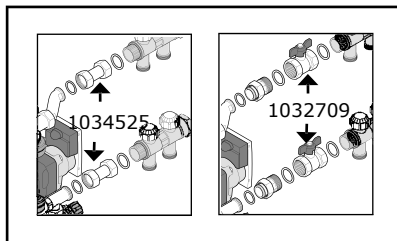


A
OPEN = Standard

B
CLOSE = Flush

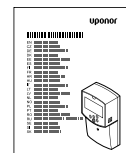
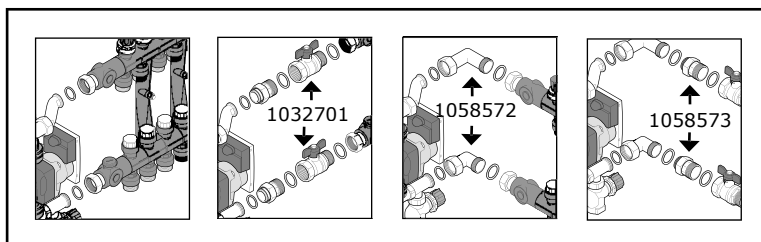


Uponor Vario B jakotukki

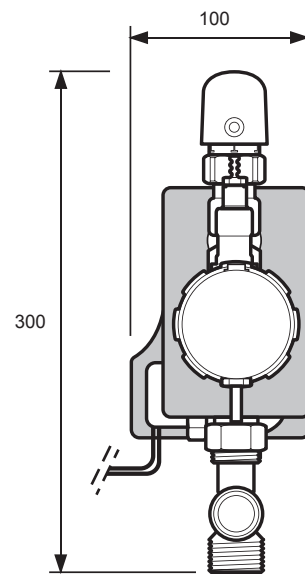
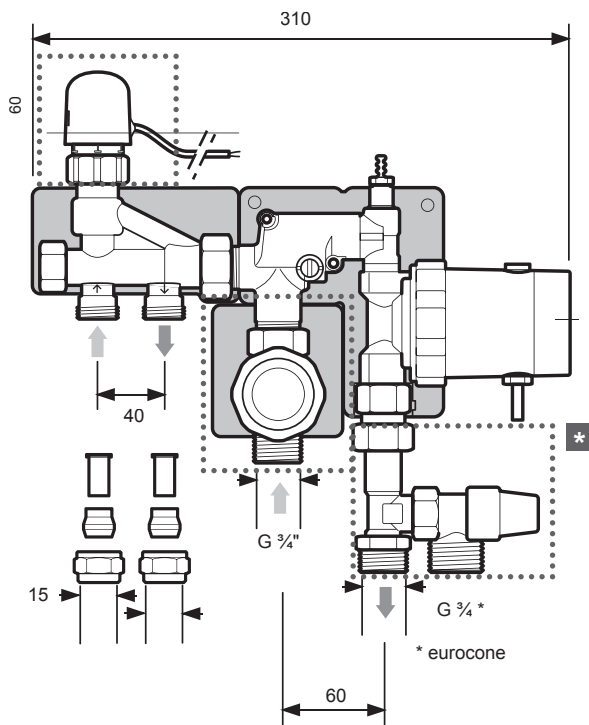


| Scale | 1 | 2 | 3 | 4 | 5 | 6 | 7 | 8 | 9 |
|-----------------|----|----|----|----|----|----|----|----|----|
| θ_v [°C] | 20 | 25 | 30 | 34 | 38 | 42 | 46 | 50 | 55 |

Uponor Vario PLUS jakotukki



Uponor Pumppuryhmä Fluvia T Push-12-CH-X ja ohjaussetti Push-12-CH-X



* Uponor Fluvia T ohjaussetti Push-12-CH-X



$P_{max} = 1 \text{ MPa}$
(10 bar)



$\theta_{prim} = < 90 \text{ }^\circ\text{C}$
 $\theta_{sec} = 20\text{-}50 \text{ }^\circ\text{C}$

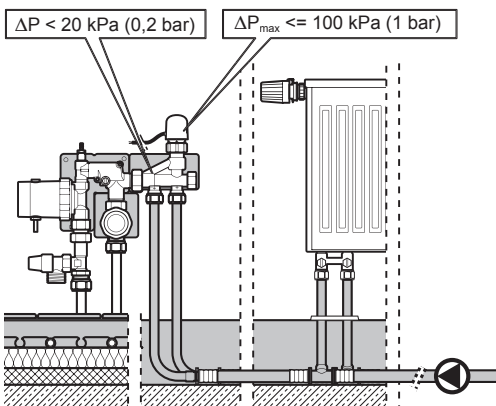


$Q \leq 3 \text{ kW}$

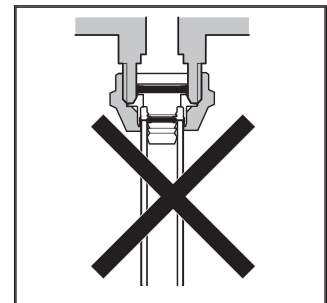
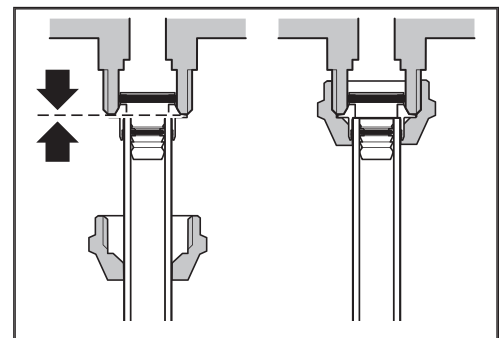
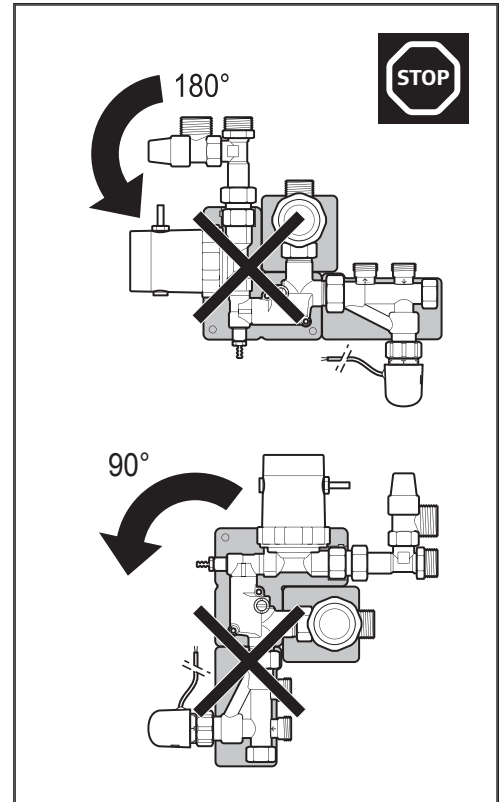
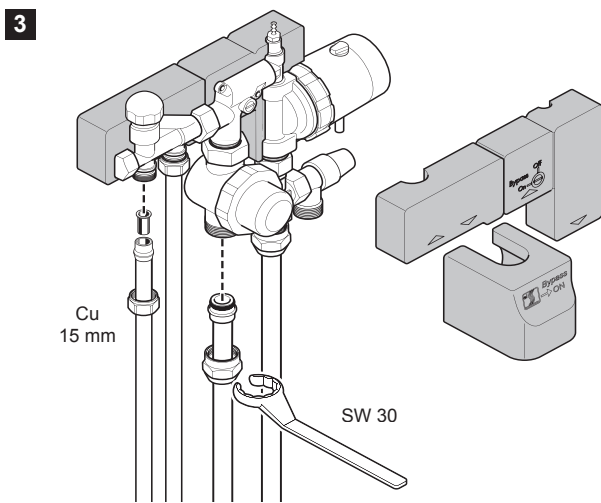
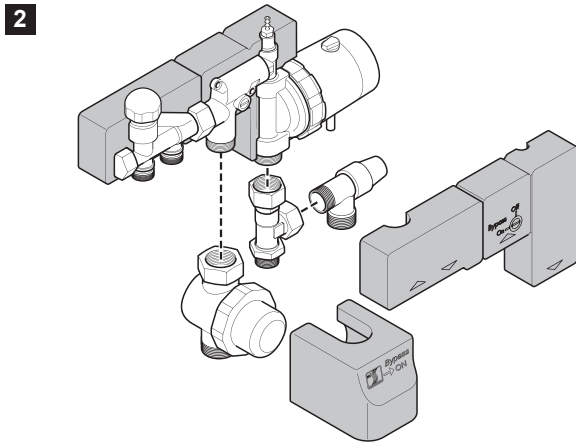
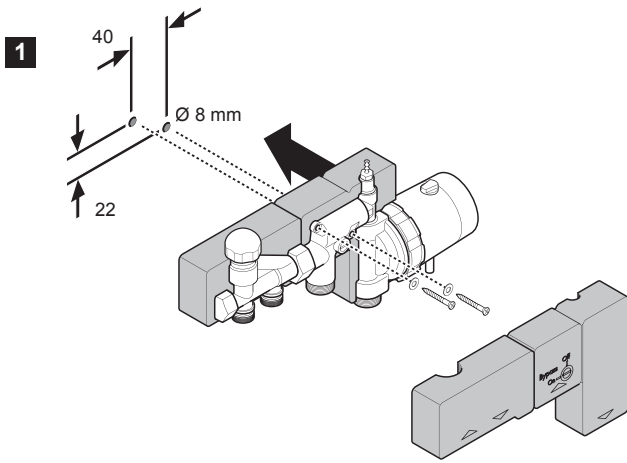


$Q = 500 \text{ W}$

$kvs = 0,7 \text{ m}^3/\text{h}$



| Renovis (wall) | 1 loop = 20 m ² | 2,0 kW |
|---|----------------------------|---------|
| UFH d = 9,9 mm T = 100 mm, 2 loops à 60 m = 2x6 m ² | | 0,96 kW |
| UFH d = 12 mm T = 150 mm, 2 loops à 46 m = 2x7 m ² | | 1,4 kW |
| UFH d = 14 mm T = 150 mm, 2 loops à 60 m = 2x9 m ² | | 1,8 kW |
| UFH d = 16 mm T = 150 mm, 2 loops à 75 m = 2x11 m ² | | 2,2 kW |
| UFH d = 17 mm T = 150 mm, 2 loops à 90 m = 2x14 m ² | | 2,8 kW |
| UFH d = 20 mm T = 150 mm, 2 loops à 105 m = 2x16 m ² | | 3,2 kW |

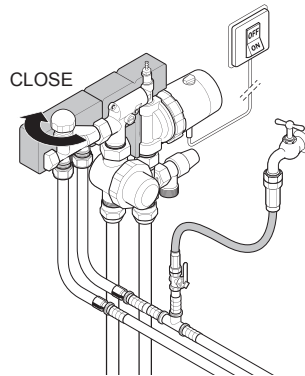




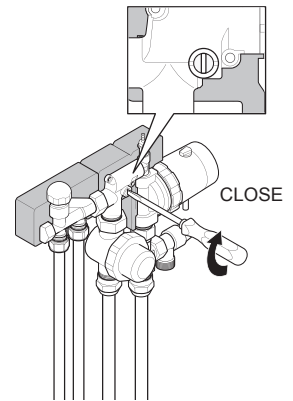
1



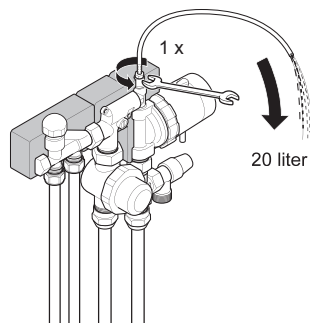
2



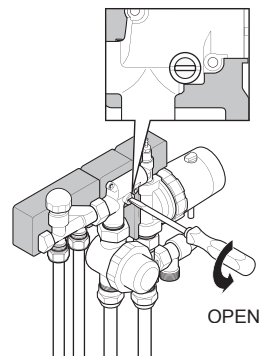
3



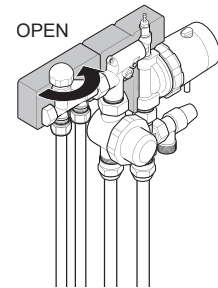
4



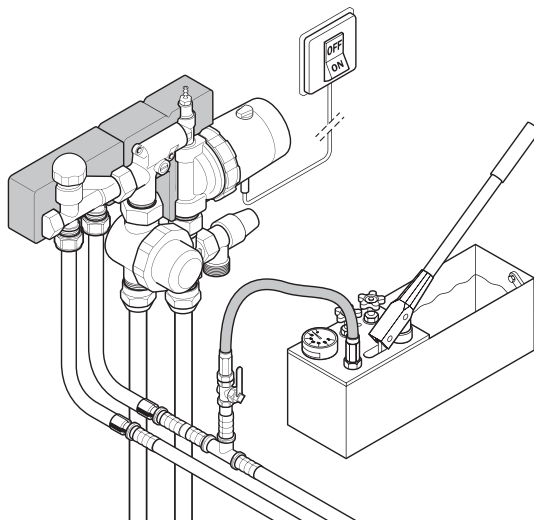
5



6



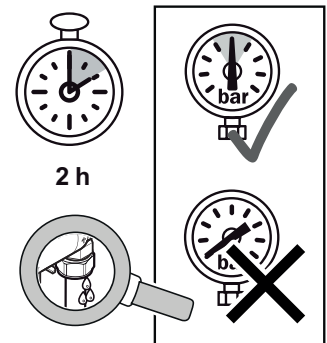
1



2

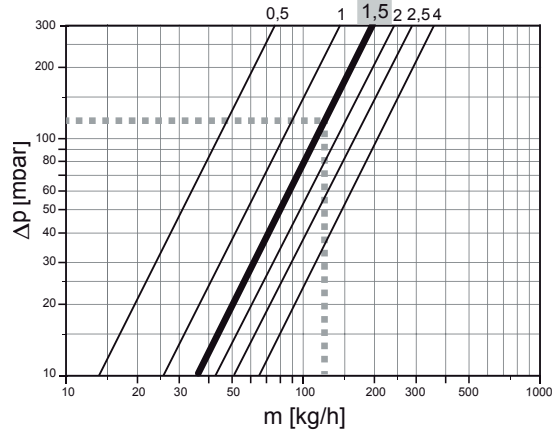


6 bar \geq P \geq 4 bar

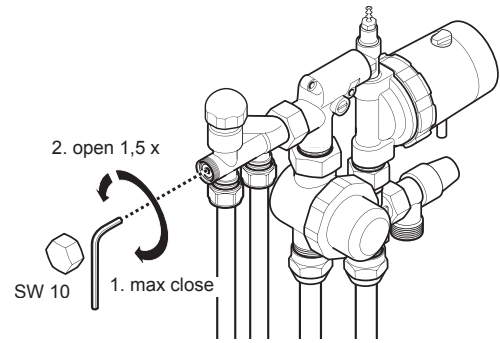




SW 10

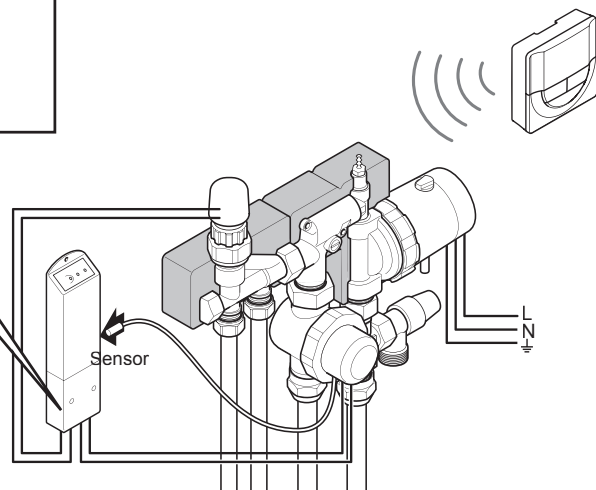
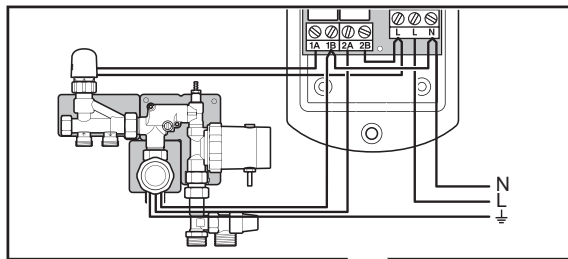
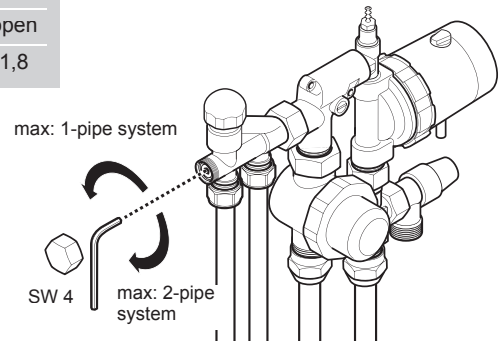


| | | | | | | | |
|--------------|------|------|------|------|------|------|------|
| Turns | 0,5 | 1,0 | 1,5 | 2,0 | 2,5 | 4,0 | open |
| kv | 0,14 | 0,27 | 0,38 | 0,46 | 0,54 | 0,65 | 0,66 |



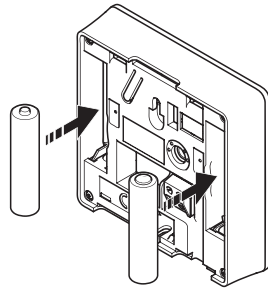
SW 4

| | | | | | | |
|---------------|--------|------|-----|------|------|------|
| % flow | 0 | 15 | 20 | 25 | 30 | 35 |
| Turns | closed | 1 | 1,5 | 2 | 3 | open |
| kv | 1,25 | 1,45 | 1,5 | 1,55 | 1,65 | 1,8 |

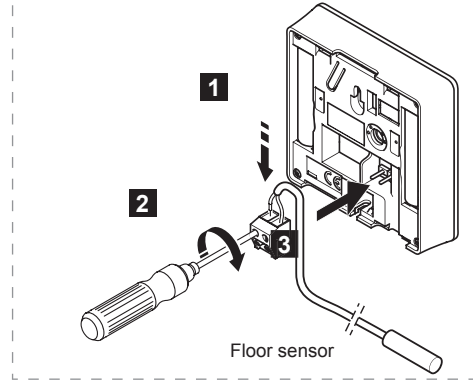




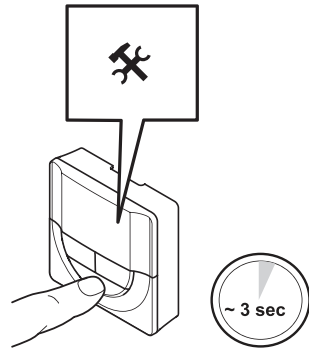
T-166



OPTION

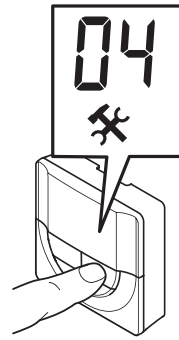


1

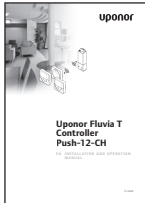
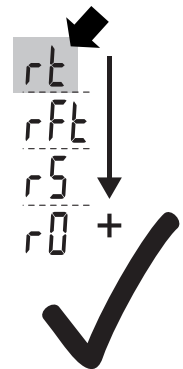


2

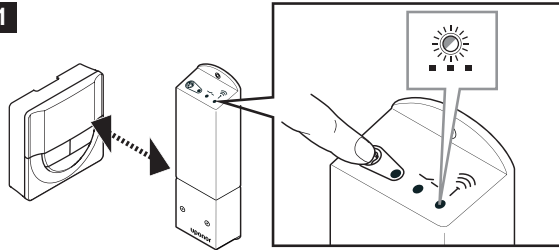
Menu



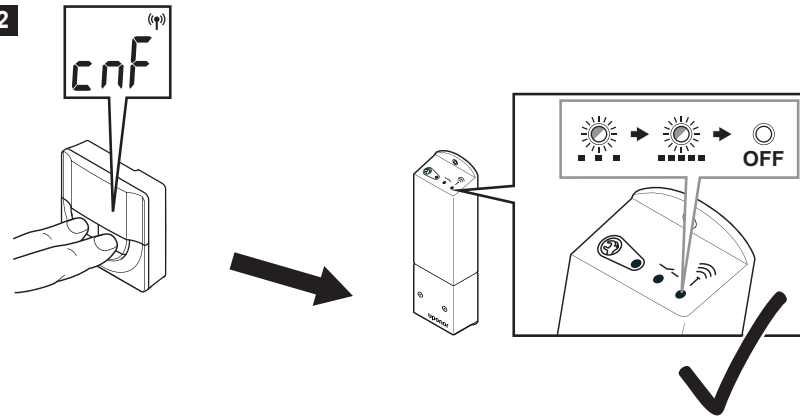
3

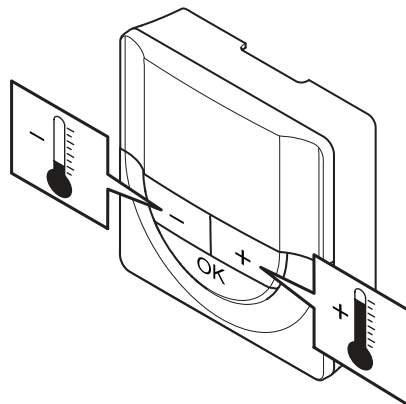
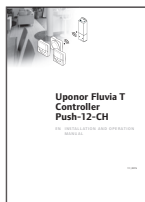
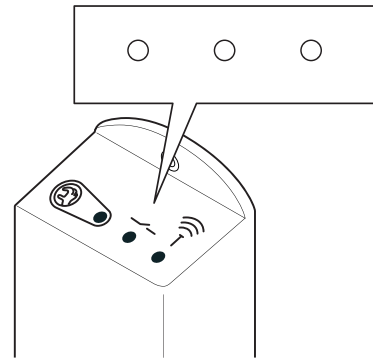
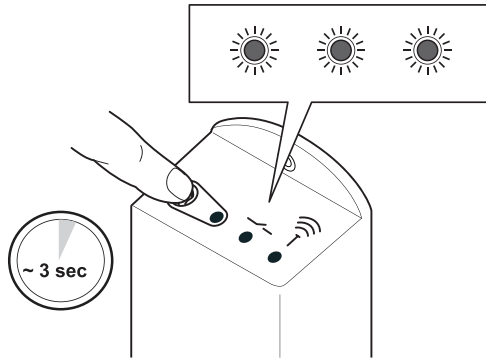
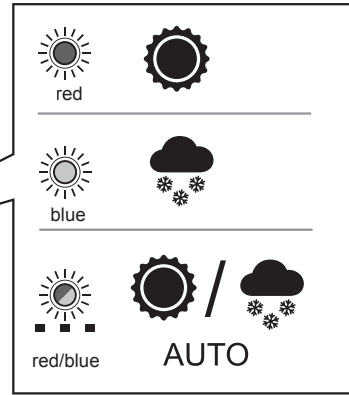
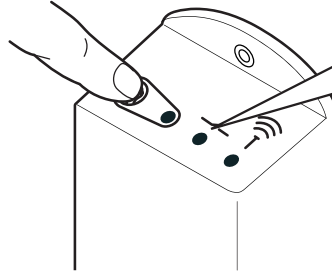
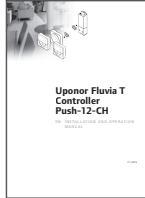
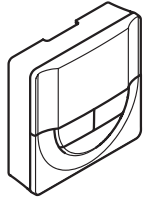


1



2





Uponor pumppuryhmä Push 12 TH-X

1

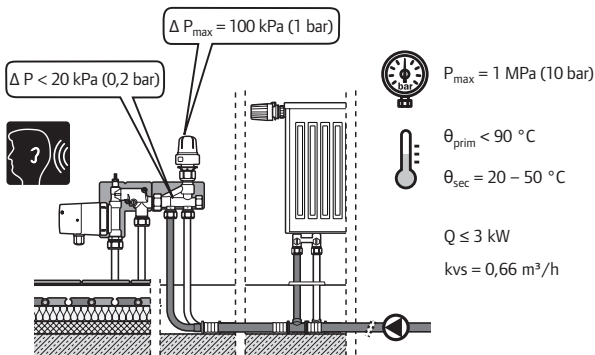
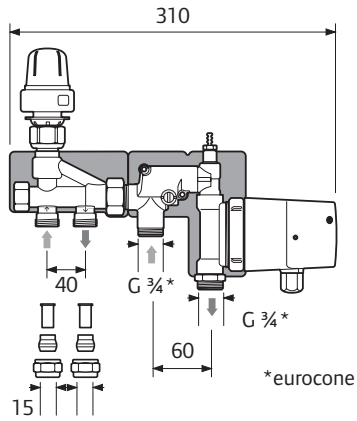
Uponor Push-12-TH-X

1067385/1067386

FI Asennus ja käyttö

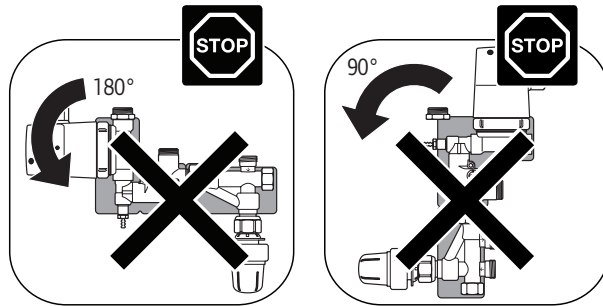
Asennus ja käyttöohjeet seuraavilla sivuilla sisältävät:

- 1) Komponentin, Mitat
- 2) Asennus
- 3) Sähkökytkennät
- 4) Ilmaus
- 5) Paineet
- 6) Tasapainotus
- 7) Asetus 1- tai 2-putkijärjestelmälle

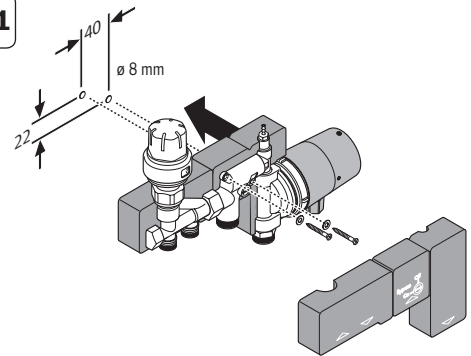


| UFH d | T | 2 loops à | Area | Power (kW) |
|----------------|------------|-----------|-----------------------------|------------|
| UFH d = 9,9 mm | T = 100 mm | 2 loops à | 60 m = 2x6 m ² | 0,96 kW |
| UFH d = 12 mm | T = 150 mm | 2 loops à | 46 m = 2x7 m ² | 1,4 kW |
| UFH d = 14 mm | T = 150 mm | 2 loops à | 60 m = 2x9 m ² | 1,8 kW |
| UFH d = 16 mm | T = 150 mm | 2 loops à | 75 m = 2x11 m ² | 2,2 kW |
| UFH d = 17 mm | T = 150 mm | 2 loops à | 90 m = 2x14 m ² | 2,8 kW |
| UFH d = 20 mm | T = 150 mm | 2 loops à | 105 m = 2x16 m ² | 3,2 kW |

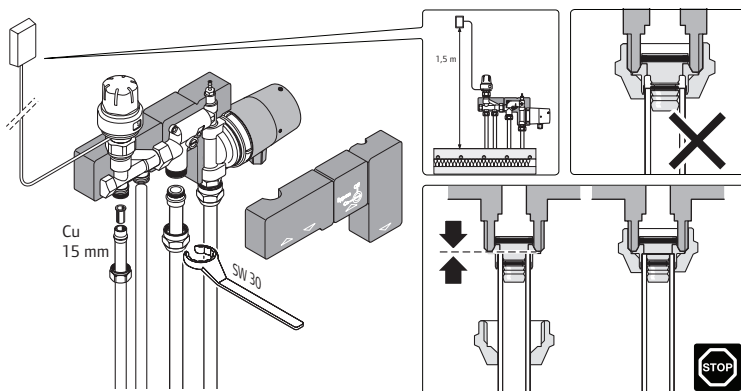
2



2.1

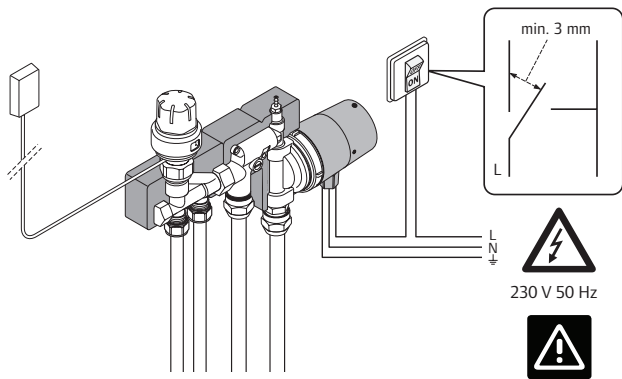


2.2



3

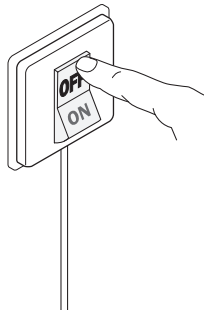
Uponor Push-12-TH



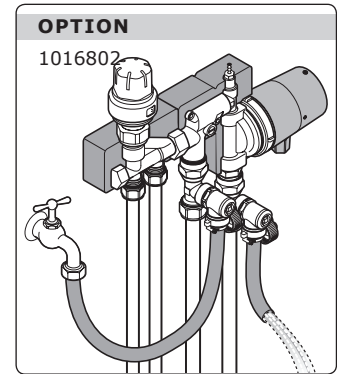
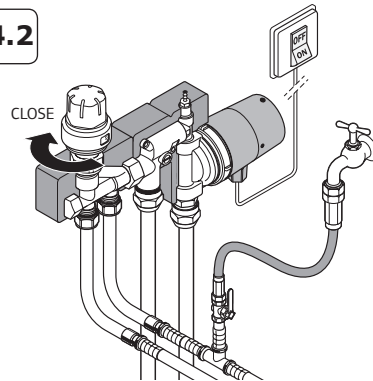
4

Uponor Push-12-TH/Uponor Push-12-CH

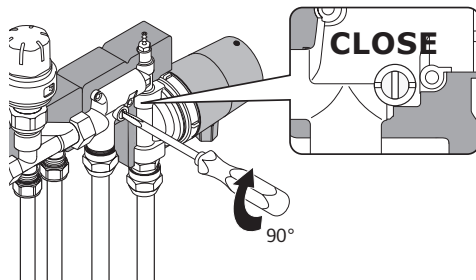
4.1



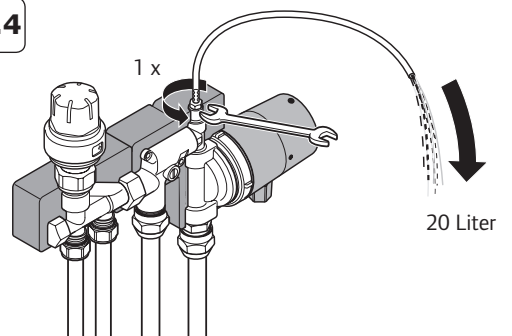
4.2



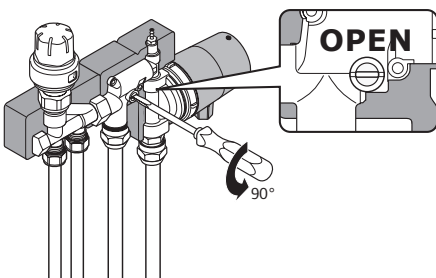
4.3



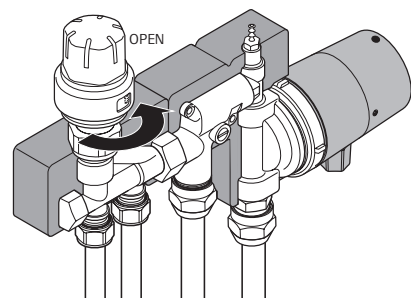
4.4



4.5

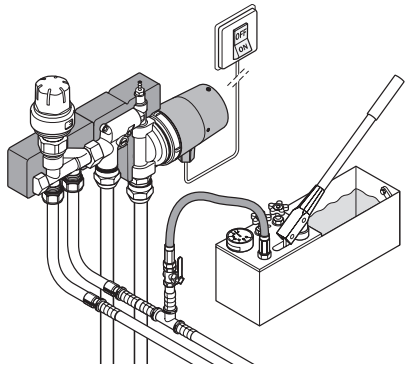


4.6

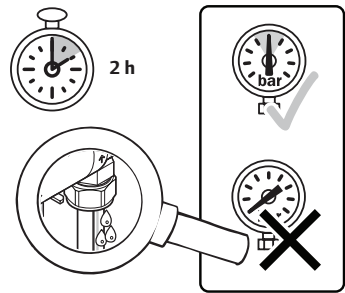


5

5.1



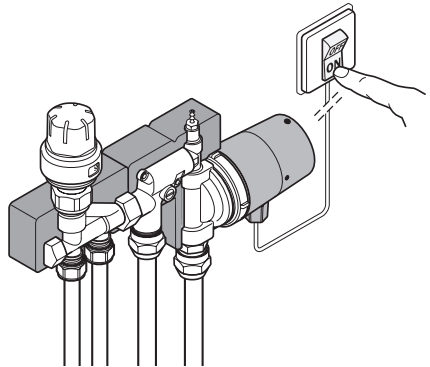
5.2



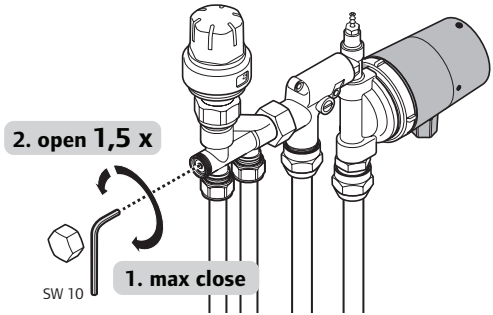
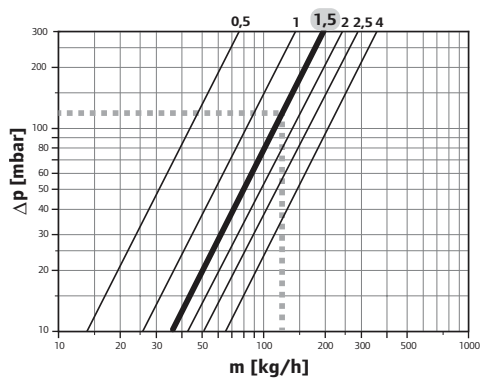
5.3



5.4



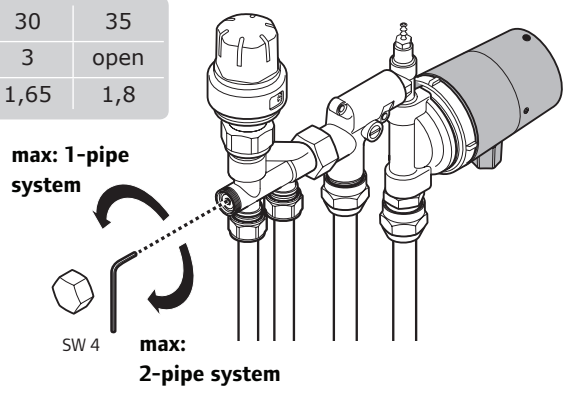
6



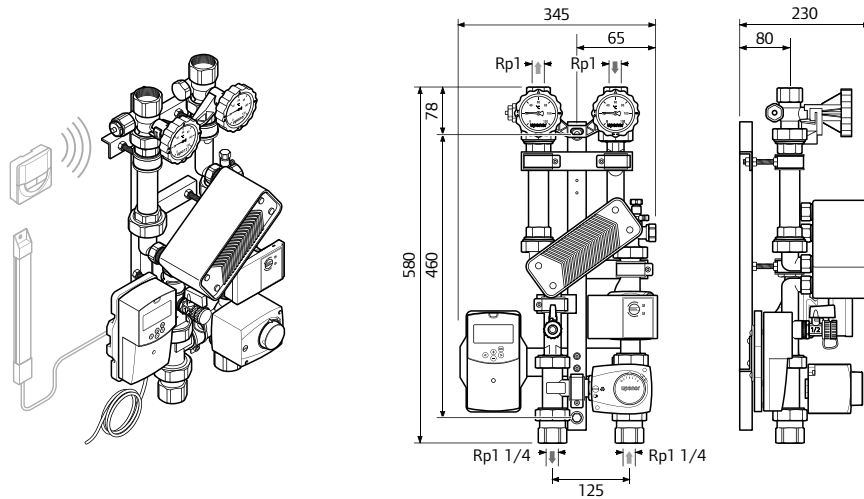
| | | | | | | | |
|--------------|------|------|------|------|------|------|------|
| Turns | 0,5 | 1,0 | 1,5 | 2,0 | 2,5 | 4,0 | open |
| kv | 0,14 | 0,27 | 0,38 | 0,46 | 0,54 | 0,65 | 0,66 |

7

| | | | | | | |
|---------------|--------|------|-----|------|------|------|
| % flow | 0 | 15 | 20 | 25 | 30 | 35 |
| Turns | closed | 1 | 1,5 | 2 | 3 | open |
| kv | 1,25 | 1,45 | 1,5 | 1,55 | 1,65 | 1,8 |



Uponor Pumpuryhmä Fluvia Move PLUS EPG-6



$Q_{max} = 6 \text{ kW}$



$\vartheta_{sec} = 15 - 55^\circ \text{C}$



$kvs = 8 \text{ m}^3/\text{h}$



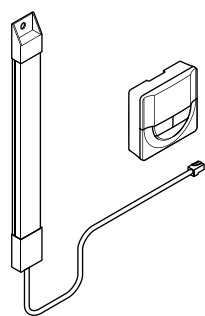
$P_{max} = 6 \text{ bar}$



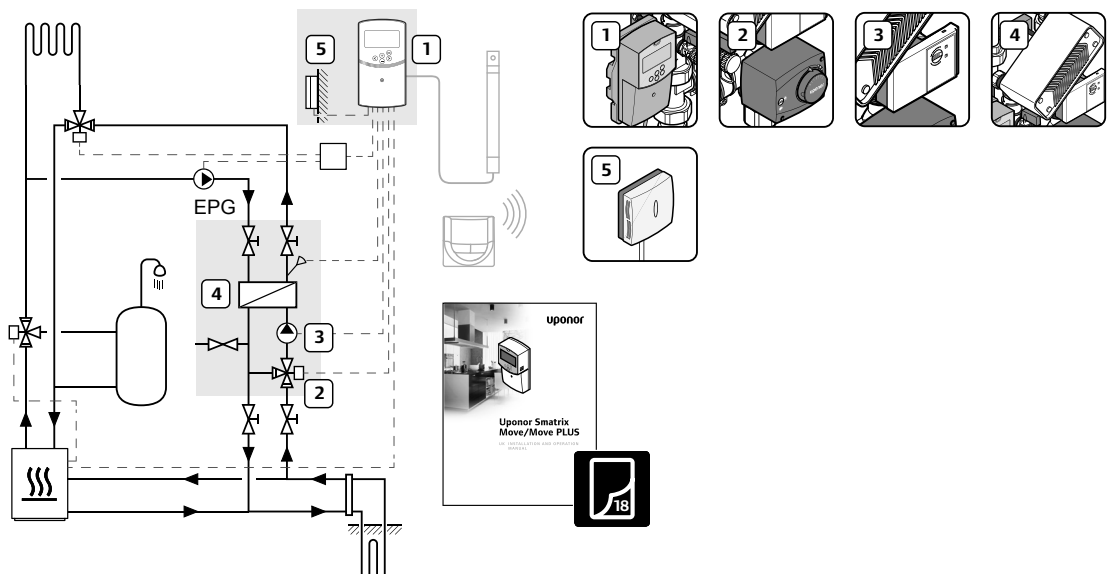
15 Ltr/h

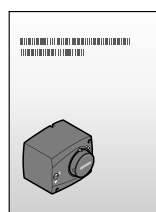
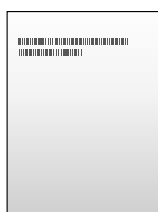
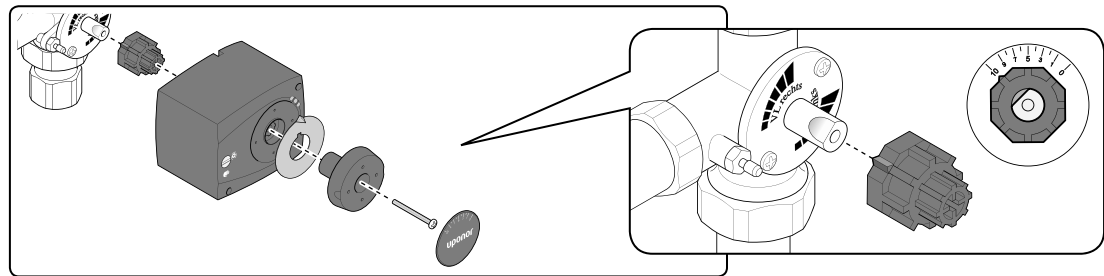
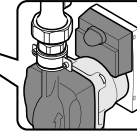
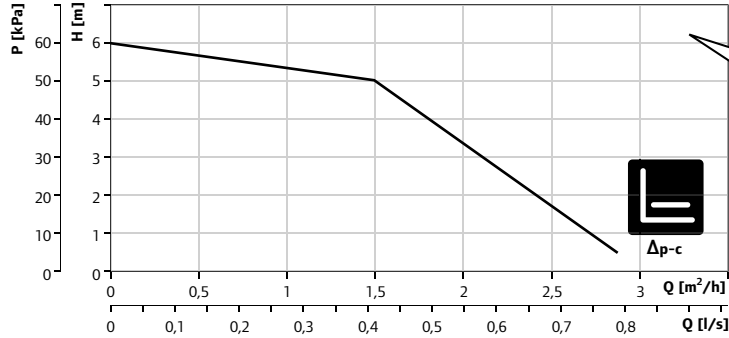
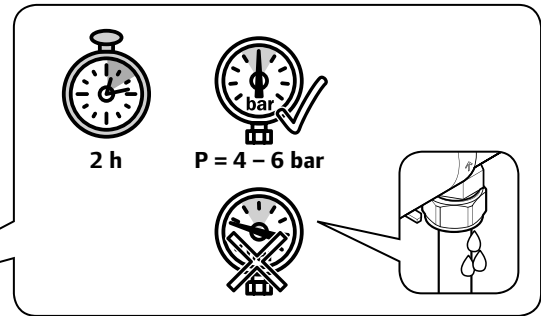
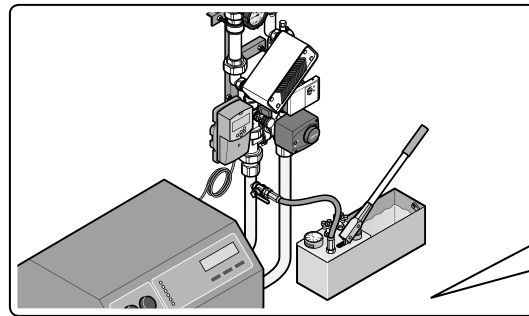
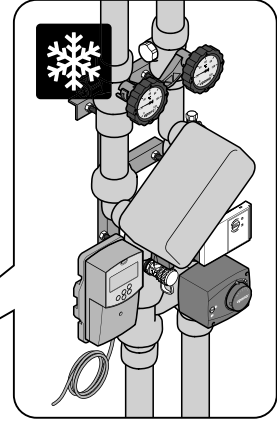
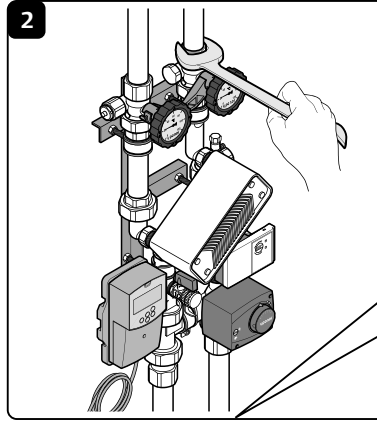
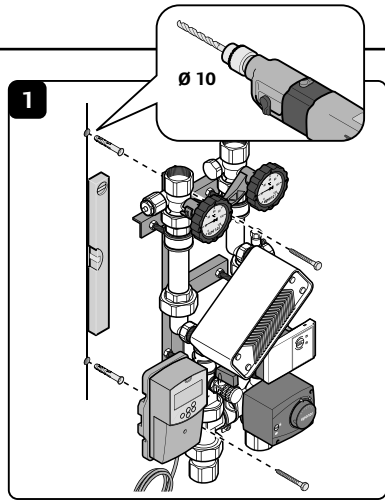


1071676



T-168
1071689

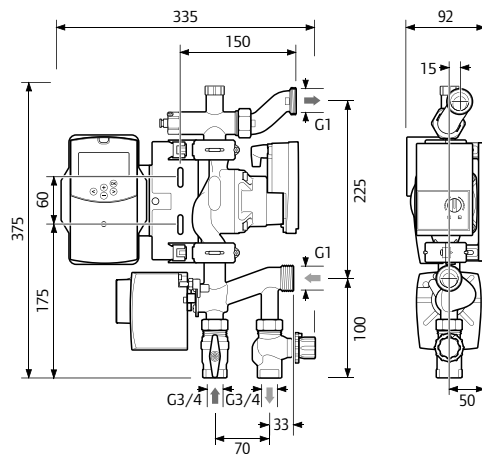




Uponor Pumpuryhmä Fluvia Move MPG-10



MPG-10-A



$Q_{\max} = 10 \text{ kW}$



$\vartheta_{\text{sec}} = 15 - 55^\circ\text{C}$



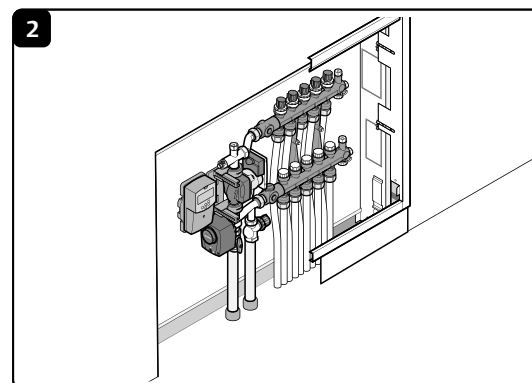
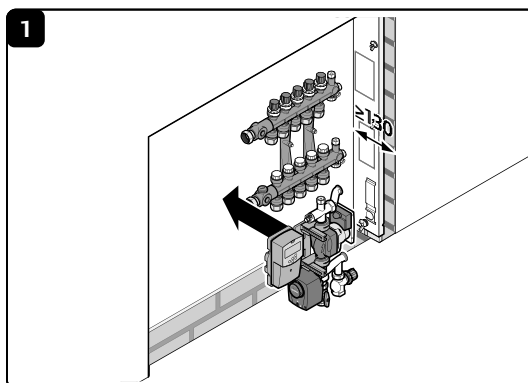
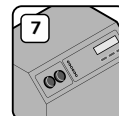
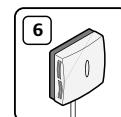
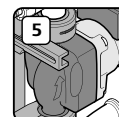
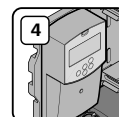
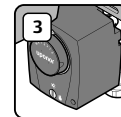
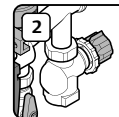
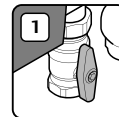
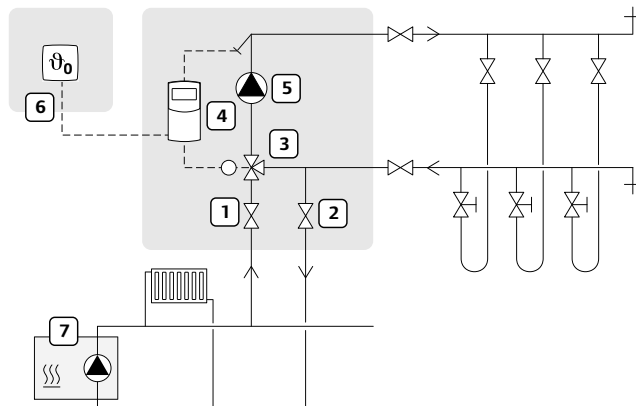
$kvs = 5 \text{ m}^3/\text{h}$

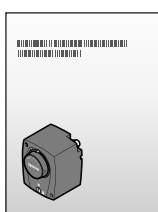
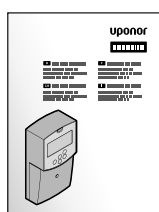
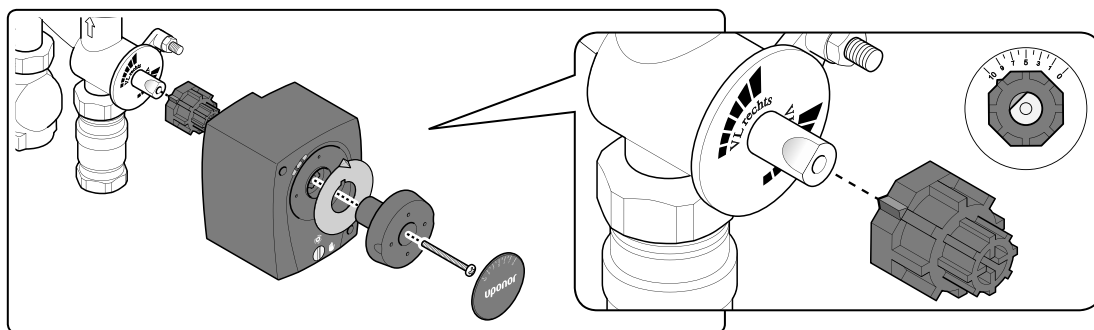
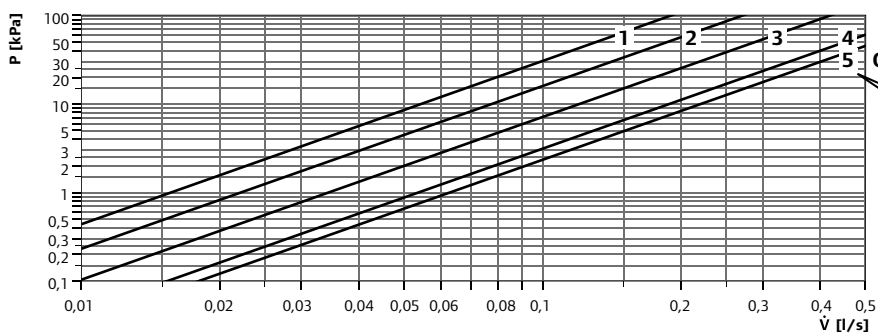
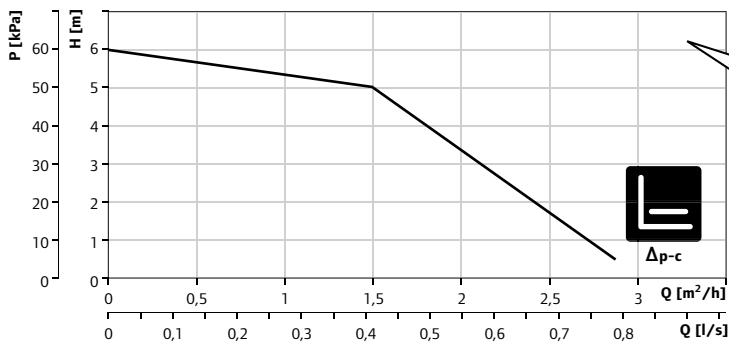
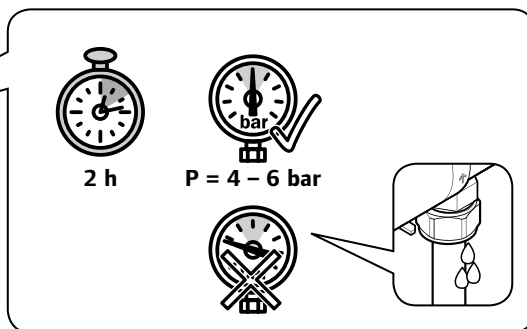
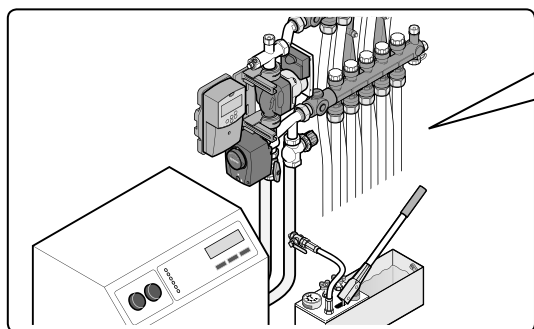


$P_{\max} = 6 \text{ bar}$

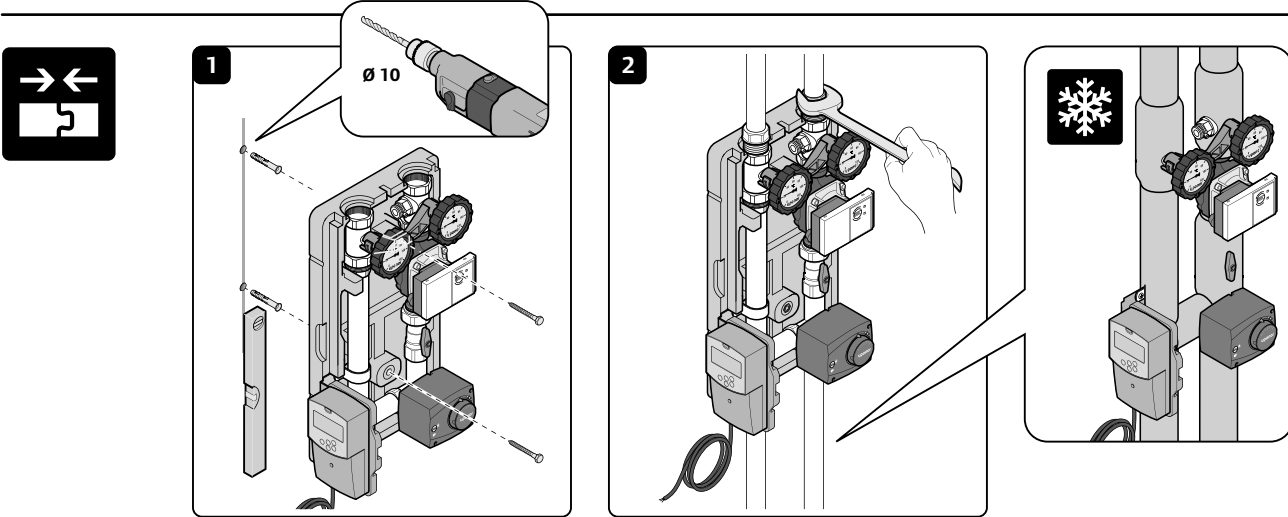
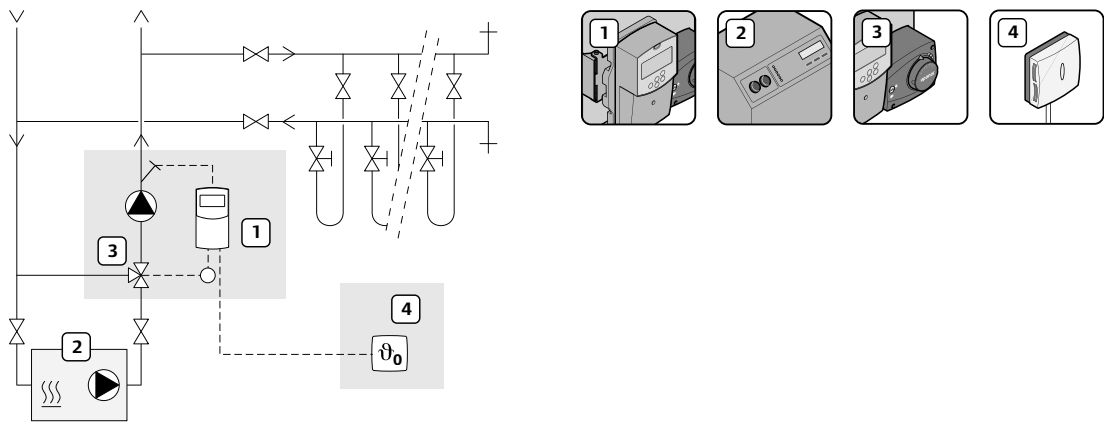
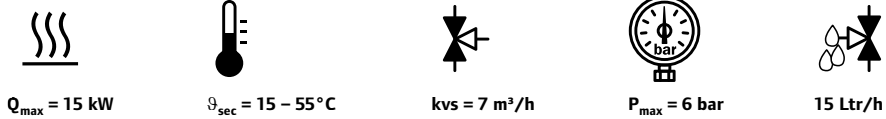
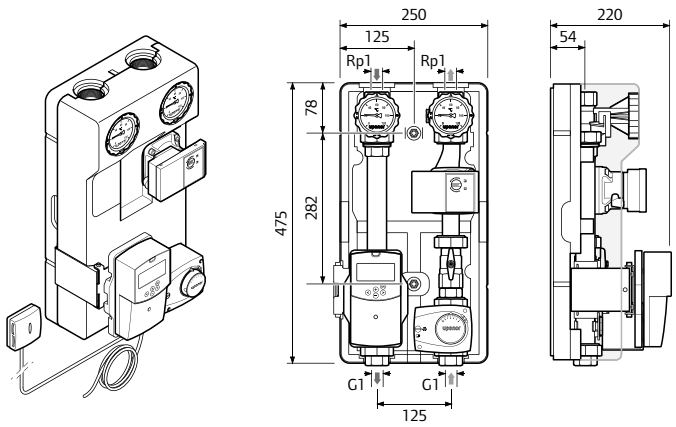


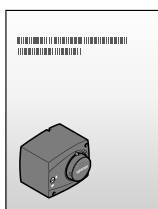
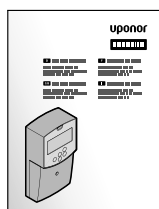
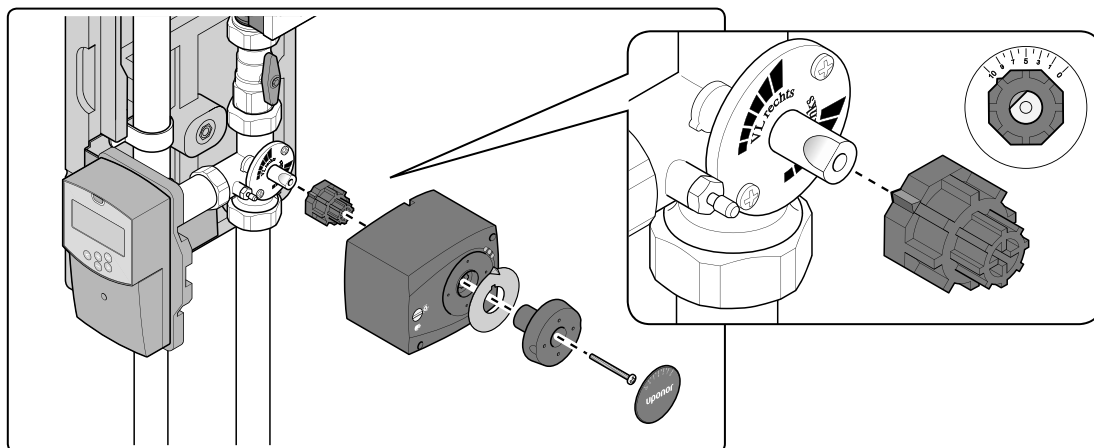
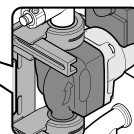
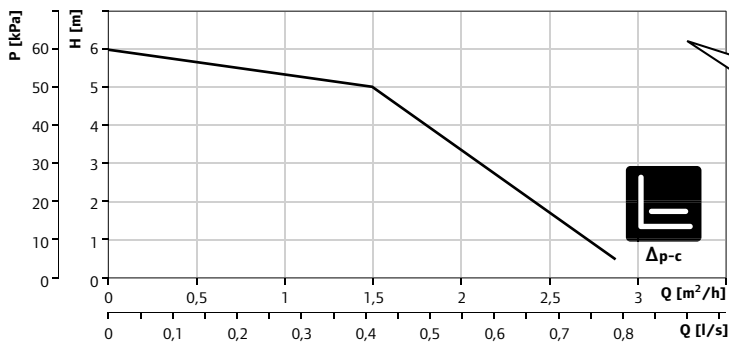
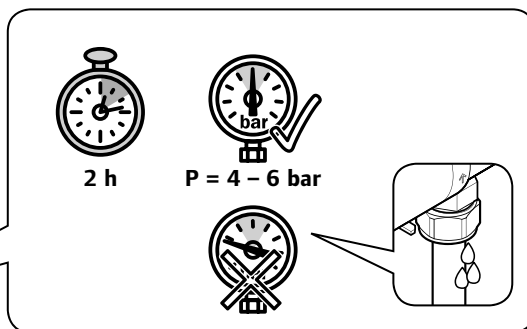
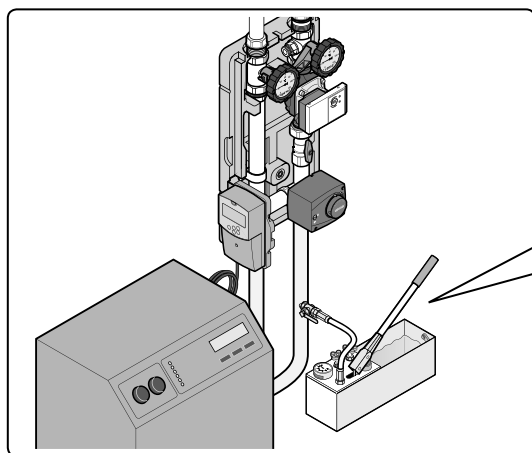
15 Ltr/h





Uponor Pumpuryhmä Fluvia Move CPG-15





uponor

Kouvolantie 365
15561 Nastola
P 020 129211

5049_05_2018



Lisätietoa
Uponor-lattialämmityksestä
www.uponor